






**Size 1, 2, 3**

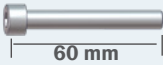
**4x** 


**3x** 

**4x** 


**4x** 


**1x**  10 mm


**1x**  60 mm

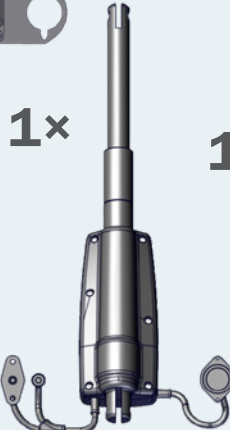
**2x** 


**Size 3**


**1x** 

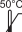
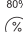
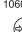
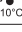
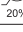
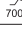



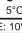
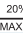
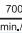
**1x** 

**1x** 


**1x** 

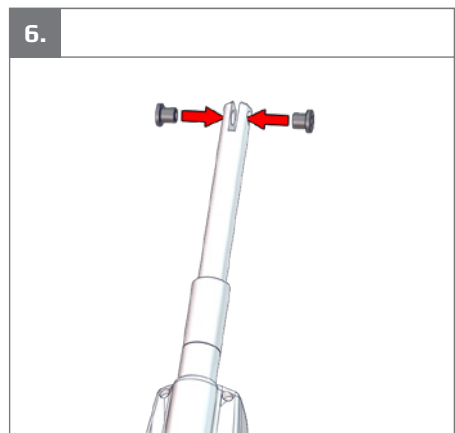
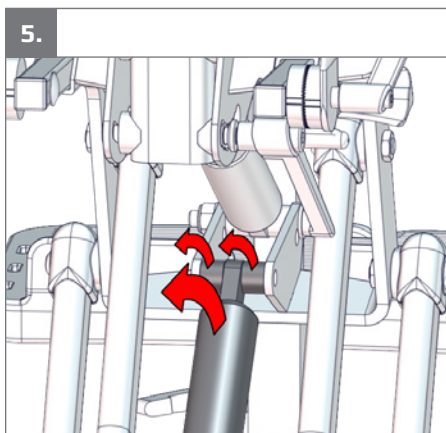
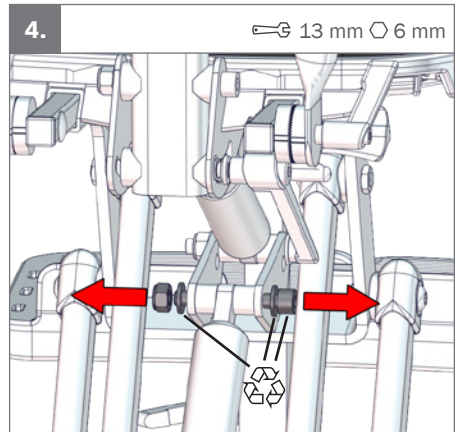
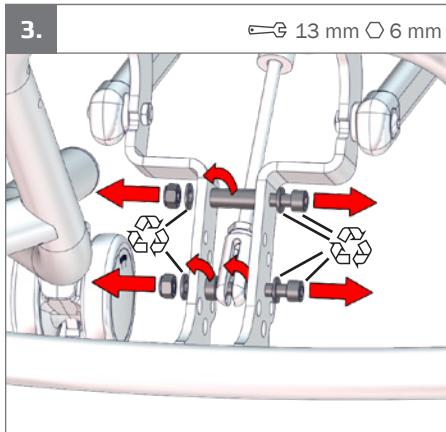
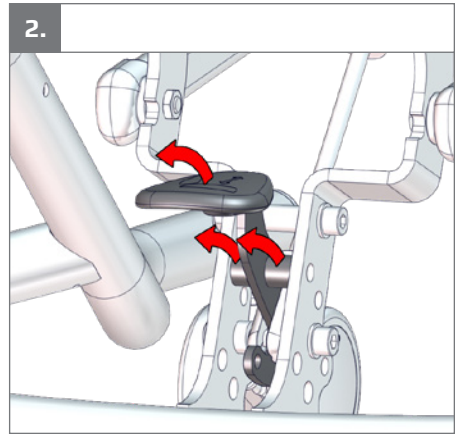
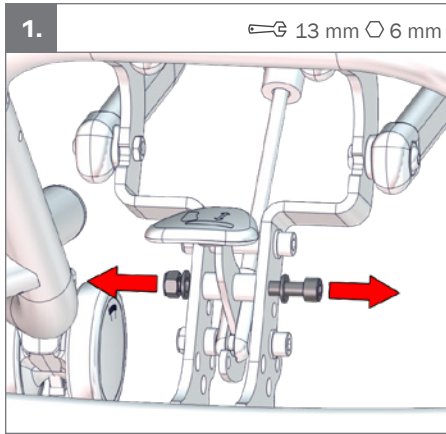
**1x** 

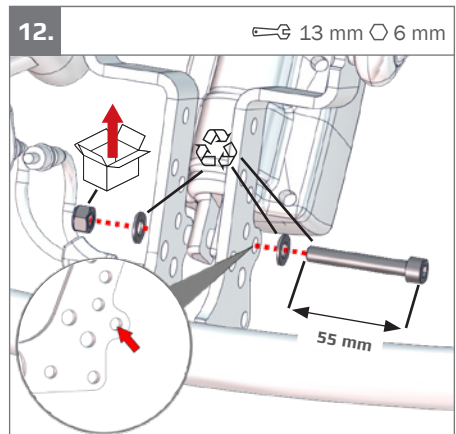
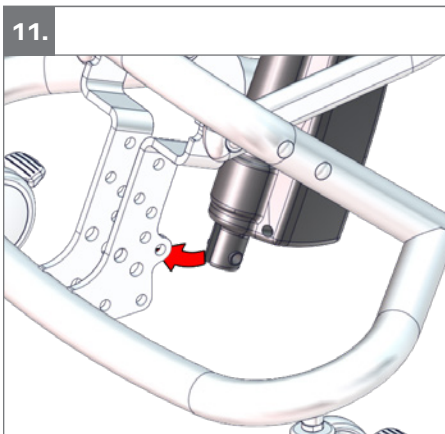
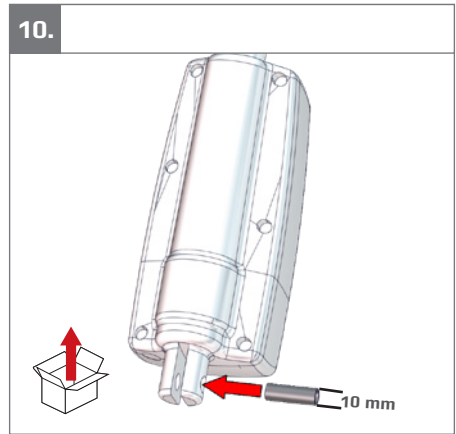
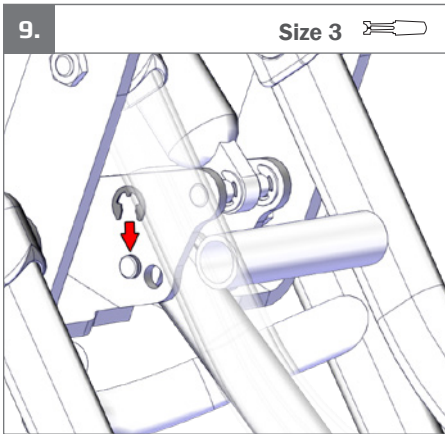
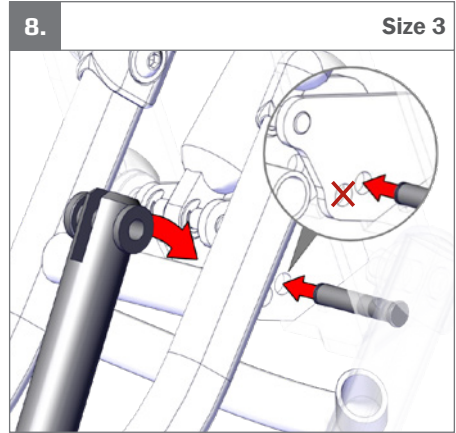
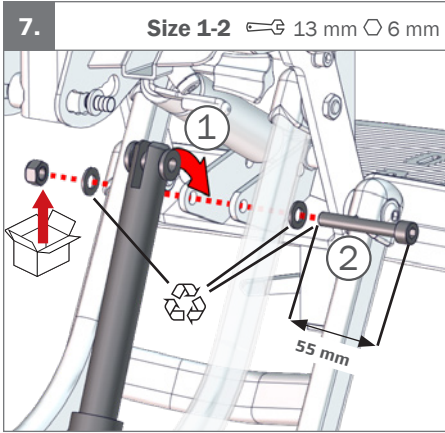
**1x** 

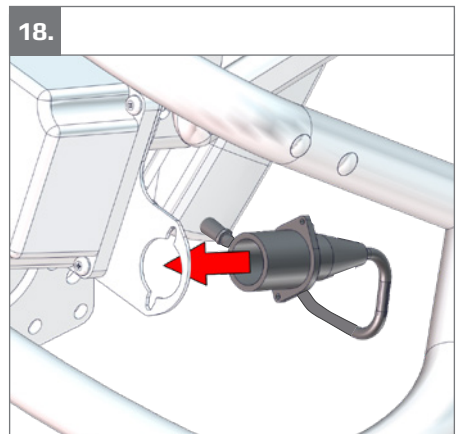
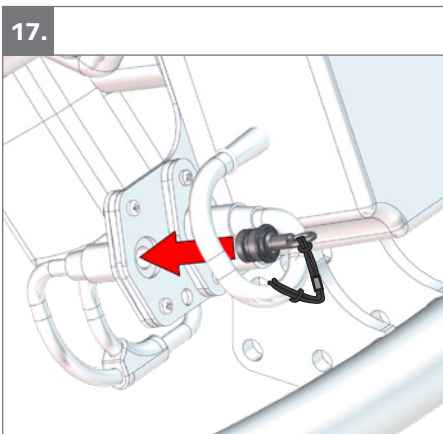
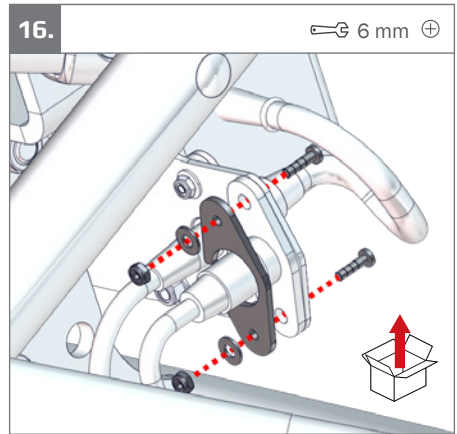
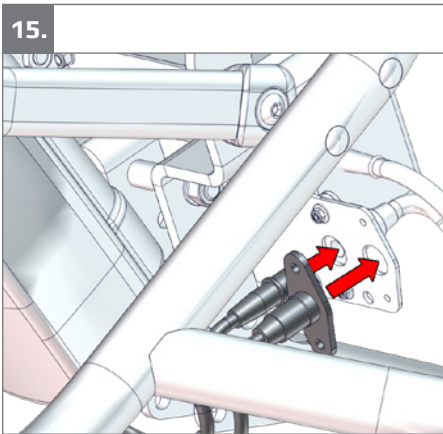
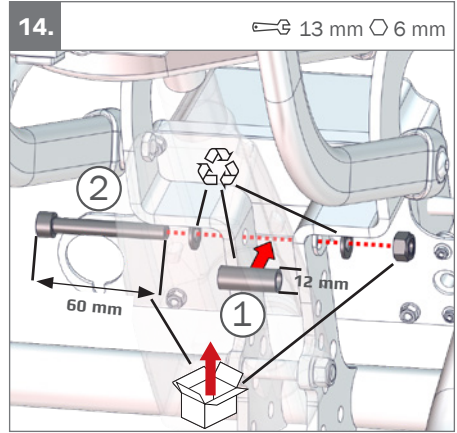
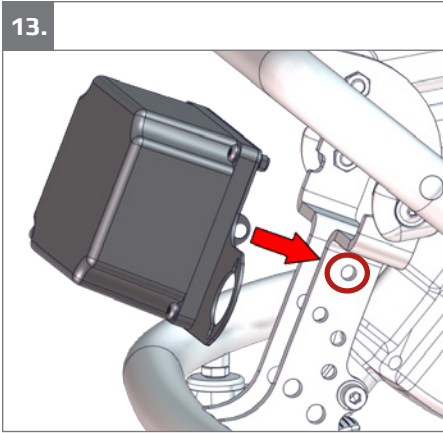
<b>1x</b>	Storage and Transport	50°C 	80% 	1060 hPa 
		-10°C 	20% 	700 hPa 
<b>1x</b>	Operating	40°C 	80% 	1060 hPa 
		5°C 	20% 	700 hPa 

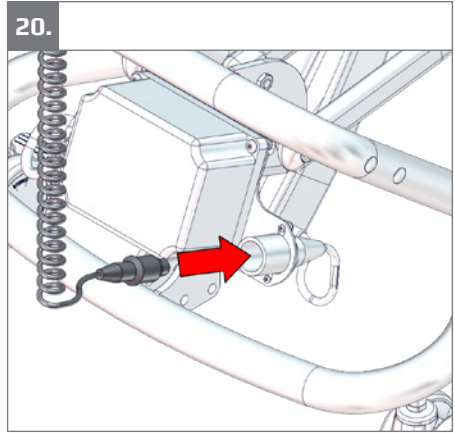
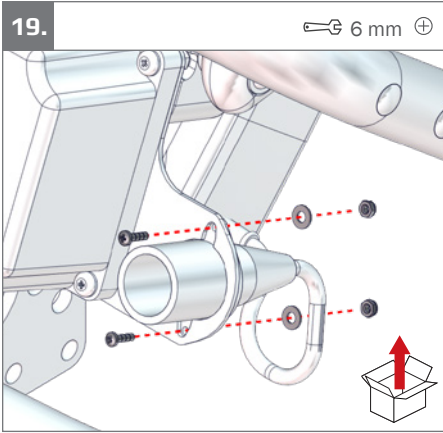
DUTY CYCLE: 10% MAX 2 min./18 min.

**1x** 



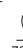











**21.**

<b>C</b>	Storage and Transport	50°C 	80% 	1060 hPa 
		-10°C	20%	700 hPa
<b>D</b>	Operating	40°C 	80% 	1060 hPa 
		5°C	20%	700 hPa

DUTY CYCLE: 10% MAX 2 min./18 min.

**D** | **IP 24** | 