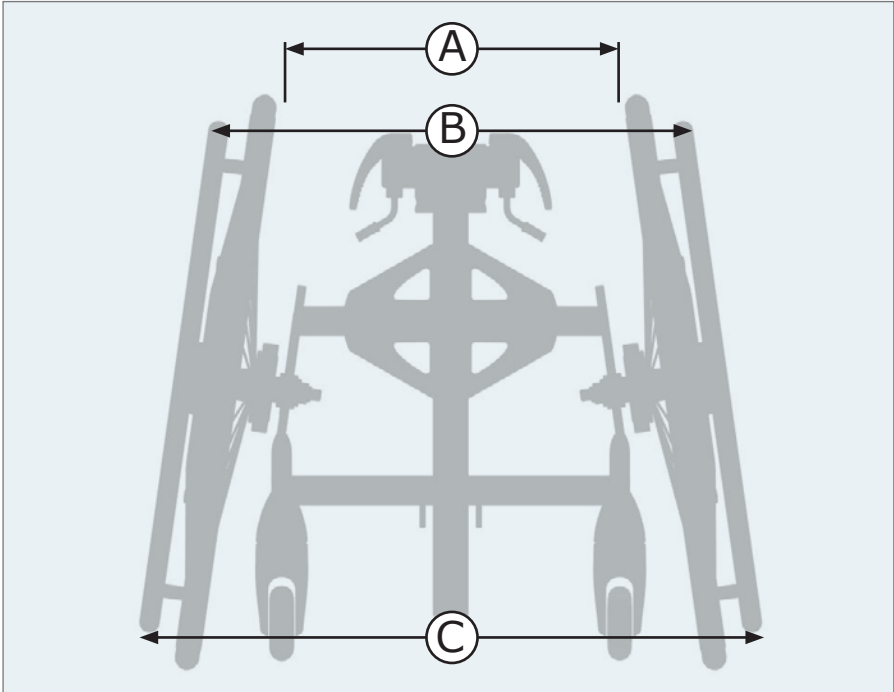
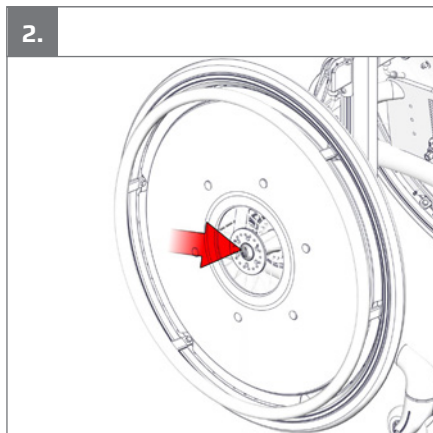
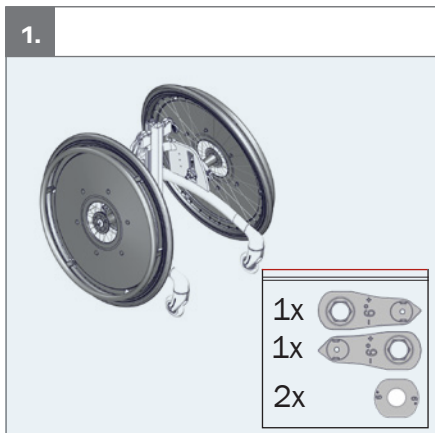
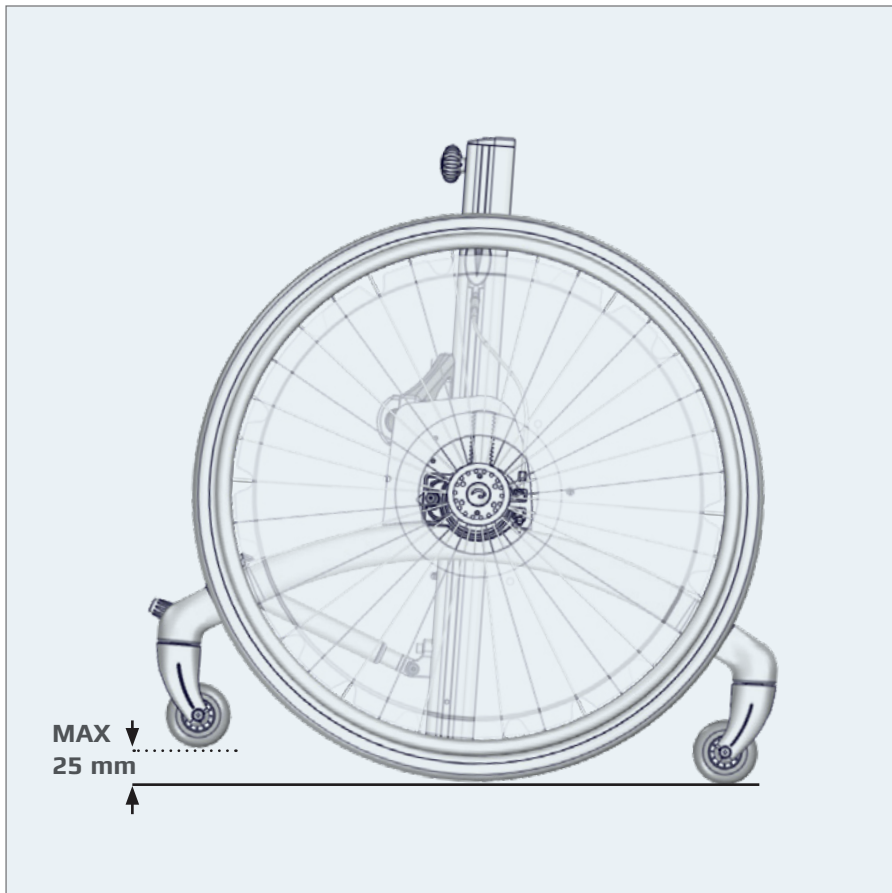


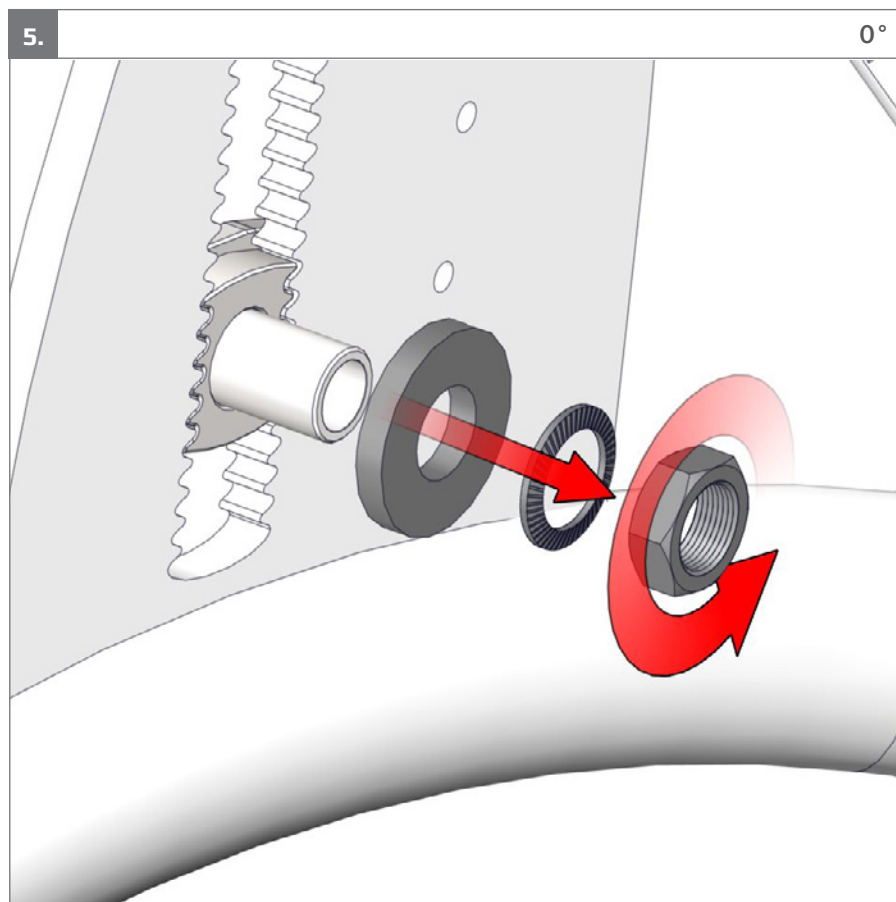
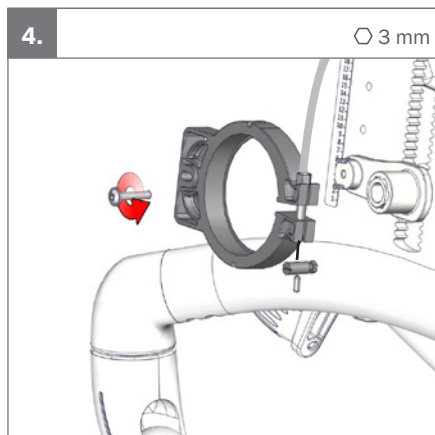
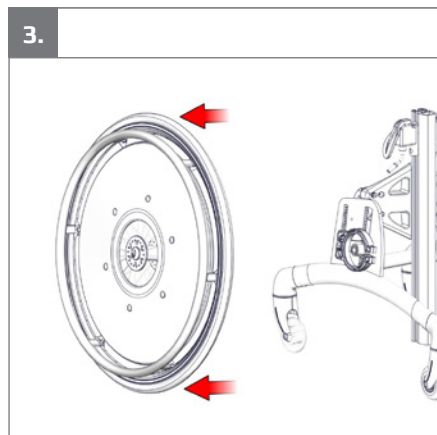
SZ		y: +6°		y: +3°		y: 0°		y: -3°		y: -6°	
SZ	X	Z (#)	A	Z (#)	A	Z (#)	A	Z (#)	A	Z (#)	A
1	22"	N/A	14°	N/A	11°	1	8°	1	5°	2	2°
	24"	3		4		5		6		7	
	26"	8		9		10		11		12	
2	26"	N/A	12°	N/A	9°	N/A	6°	1	3°	2	0°
	29"	6		8		9		10		11	
	32"	13		15		16		17		18	
3	26"	N/A	12°	N/A	9°	N/A	6°	1	3°	2	0°
	29"	6		8		9		10		11	
	32"	13		15		16		17		18	
4	32"	5	10°	7	7°	8	4°	8	1°	N/A	N/A
	36"	14		16		17		18			
4	32"	8	10°	9	7°	10	4°	11	1°	N/A	N/A
	36"	17		18		19		20			

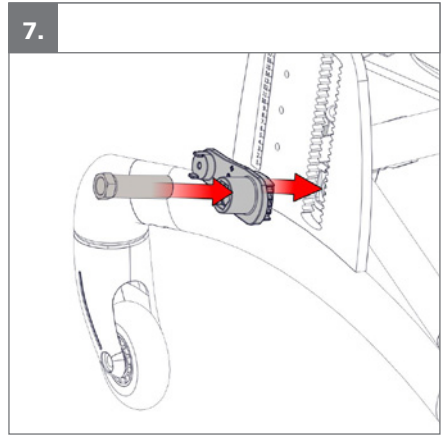
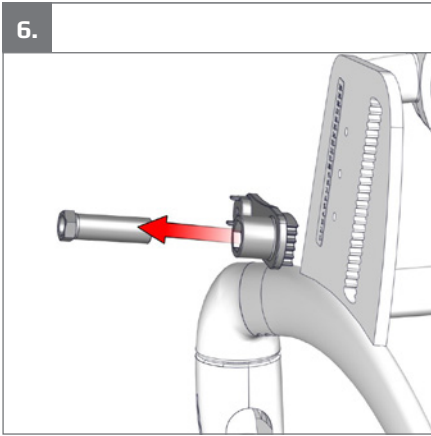




			y: +6°				y: +3°				y: 0°				y: -3°				y: -6°		
SZ	X	A	B	C	A	B	C	A	B	C	A	B	C	A	B	C	A	B	C		
1	22"	N/A	N/A	N/A	N/A	N/A	N/A	N/A	369	507	633	395	530	610	423	555	587				
	24"	299	441	686	326	466	659	356	494	635	384	519	607	414	546	582					
	26"	280	422	691	310	450	662	342	480	635	373	508	604	406	538	576					
2	26"	N/A	N/A	N/A	N/A	N/A	N/A	N/A	N/A	N/A	N/A	460	593	651	493	623	623				
	29"	337	480	748	371	511	713	409	546	682	444	579	646	482	614	614					
	32"	318	459	754	355	494	716	396	532	681	435	568	642	476	606	606					
3	26"	N/A	N/A	N/A	N/A	N/A	N/A	N/A	N/A	N/A	N/A	510	643	701	543	673	673				
	29"	387	530	798	421	561	763	459	596	732	494	629	696	532	664	664					
	32"	368	509	804	405	544	766	446	582	731	485	618	792	526	656	656					
4	32"	406	546	793	445	582	755	486	620	719	525	656	681	N/A	N/A	N/A					
	36"	384	524	802	427	564	759	473	607	719	517	648	676	N/A	N/A	N/A					







8. +6°

	1	2	3	4	5	6	7	8	9	10	11	12
1	1	1	1	1	1	1	1	1	1	1	1	1
2	1	1	1	1	1	1	1	1	1	1	1	1
3	1	1	1	1	1	1	1	1	1	1	1	1
4	1	1	1	1	1	1	1	1	1	1	1	1
5	1	1	1	1	1	1	1	1	1	1	1	1
6	1	1	1	1	1	1	1	1	1	1	1	1
7	1	1	1	1	1	1	1	1	1	1	1	1
8	1	1	1	1	1	1	1	1	1	1	1	1
9	1	1	1	1	1	1	1	1	1	1	1	1
10	1	1	1	1	1	1	1	1	1	1	1	1
11	1	1	1	1	1	1	1	1	1	1	1	1
12	1	1	1	1	1	1	1	1	1	1	1	1

