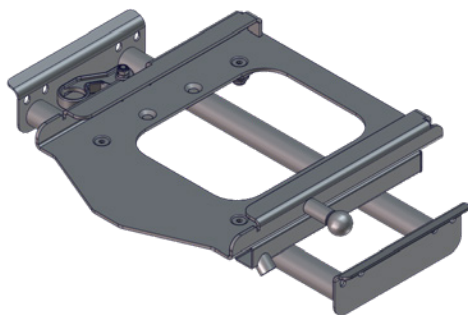
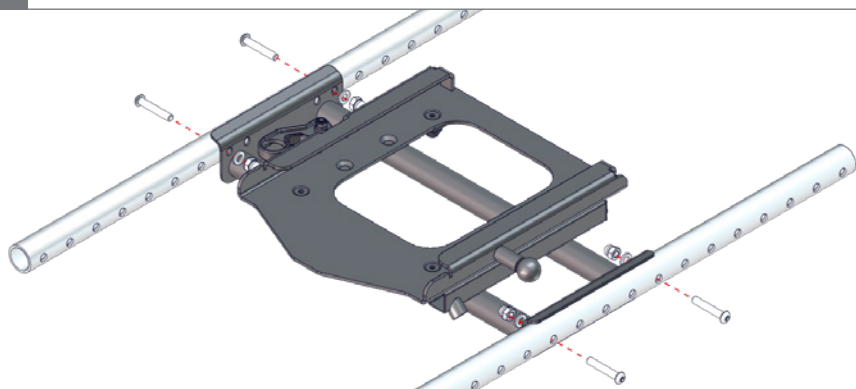


5.



6.

⊕ 4 mm 🔑 10 mm



7.

