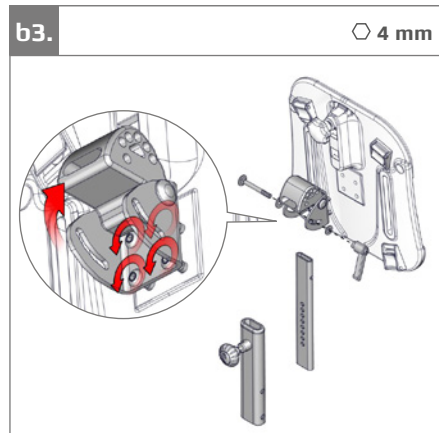
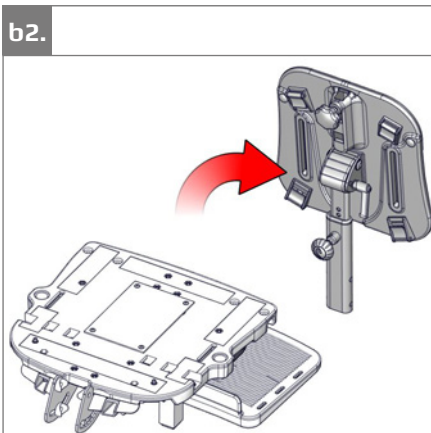
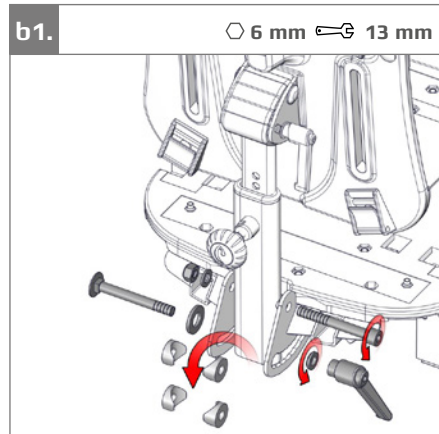


Wombat Living Rebuild Kits
Important! Read this information before you proceed with the procedures given below.
Back kit
 For back kits, follow the directions given in picture b1-b8
Back and seat kit
 For the back and seat kit, start with step b1-b7 then s1-s6 and finally b8.
 The following parts are not included in the kits and must be reused:

- Fasteners
- Adjustment knob and handle
- Inner back column
- Fix-locks

A set of round headed Allen keys and a 13 mm spanner is required to mount the new parts.



b4.

⊙ 3 mm



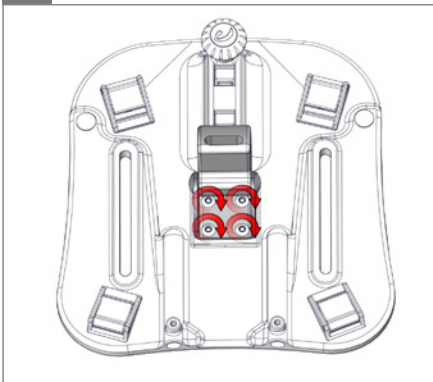
b5.

⊙ 3 mm

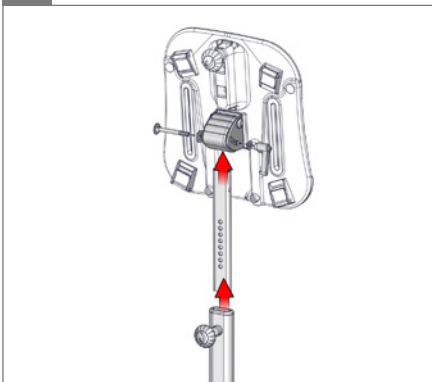


b6.

⊙ 4 mm

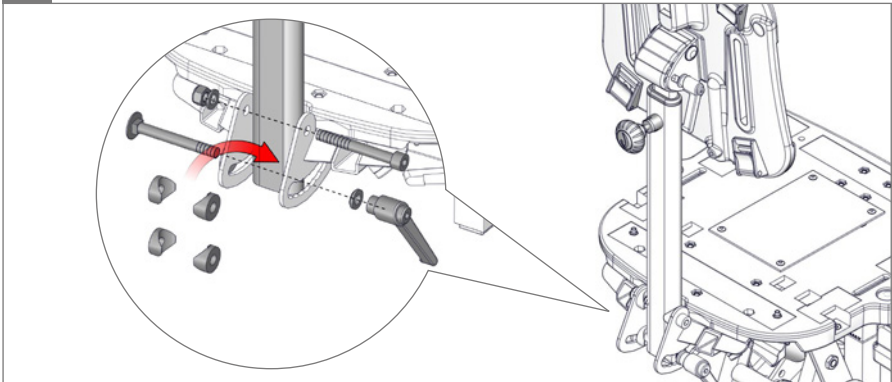


b7.

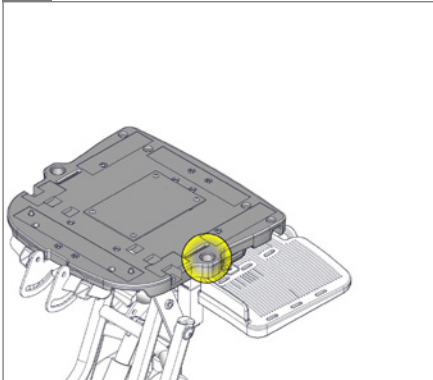


b8.

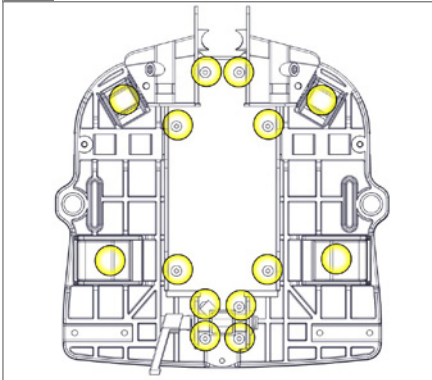
⊙ 6 mm ⚙️ 13 mm



s1.

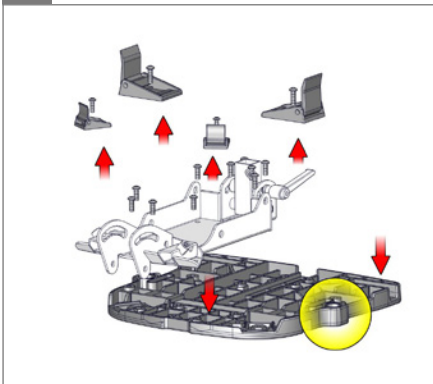


s2.



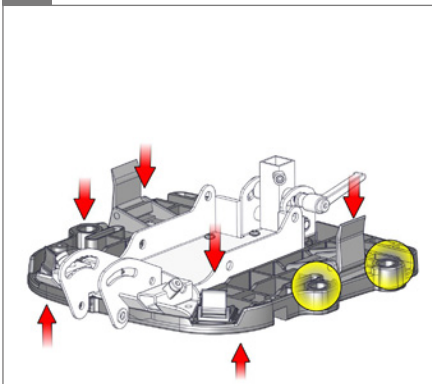
s3.

○ 3 mm ○ 4 mm

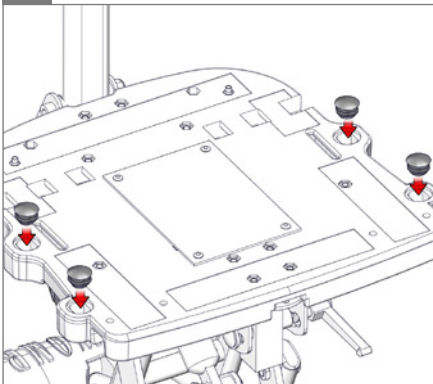


s4.

○ 3 mm ○ 4 mm



s5.



s6.

