



# x:panda Accessories

## Exploded views / Part lists


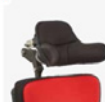










Rev. date 05.2020

*On the following pages you will find the parts used to assemble this product. Please note that some spare parts cannot be purchased individually but are part of a complete kit. Please also note that for some spare parts extra delivery time may occur.*




R82® 

### Accessories

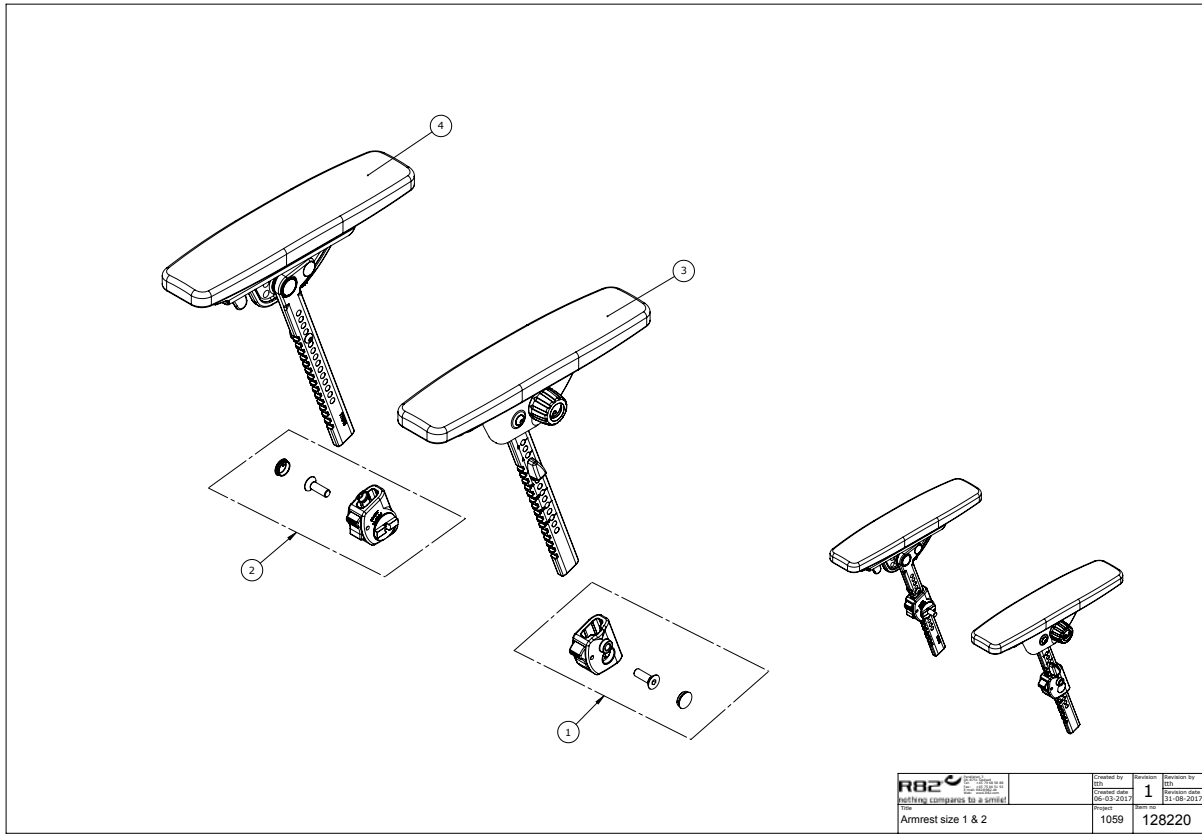
<b>1</b>	<b>2</b>	<b>3</b>	<b>4</b>
			
<small>Back rest extension 882007-02</small>	<small>Head supports 882008-01</small>	<small>Swing-away side supports 882009-01</small>	<small>Fixed side supports 882010-01, 882010-02</small>
<b>5</b>	<b>6</b>	<b>7</b>	<b>8</b>
			
<small>Upper arm supports 882017-02</small>	<small>Overarm supports 882018-01</small>	<small>Vest and belts 882131-01</small>	<small>Non-dynamic gas spring 882132-01</small>
<b>9</b>	<b>10</b>	<b>11</b>	<b>12</b>
			
<small>Fixed feet 882205-01</small>	<small>Quick locks 882022-02</small>	<small>Back width extenders 882023-01, 882023-02 For x:panda size 4</small>	<small>Cover plate 882024-01 For x:panda size 4</small>

For more accessories - visit our website

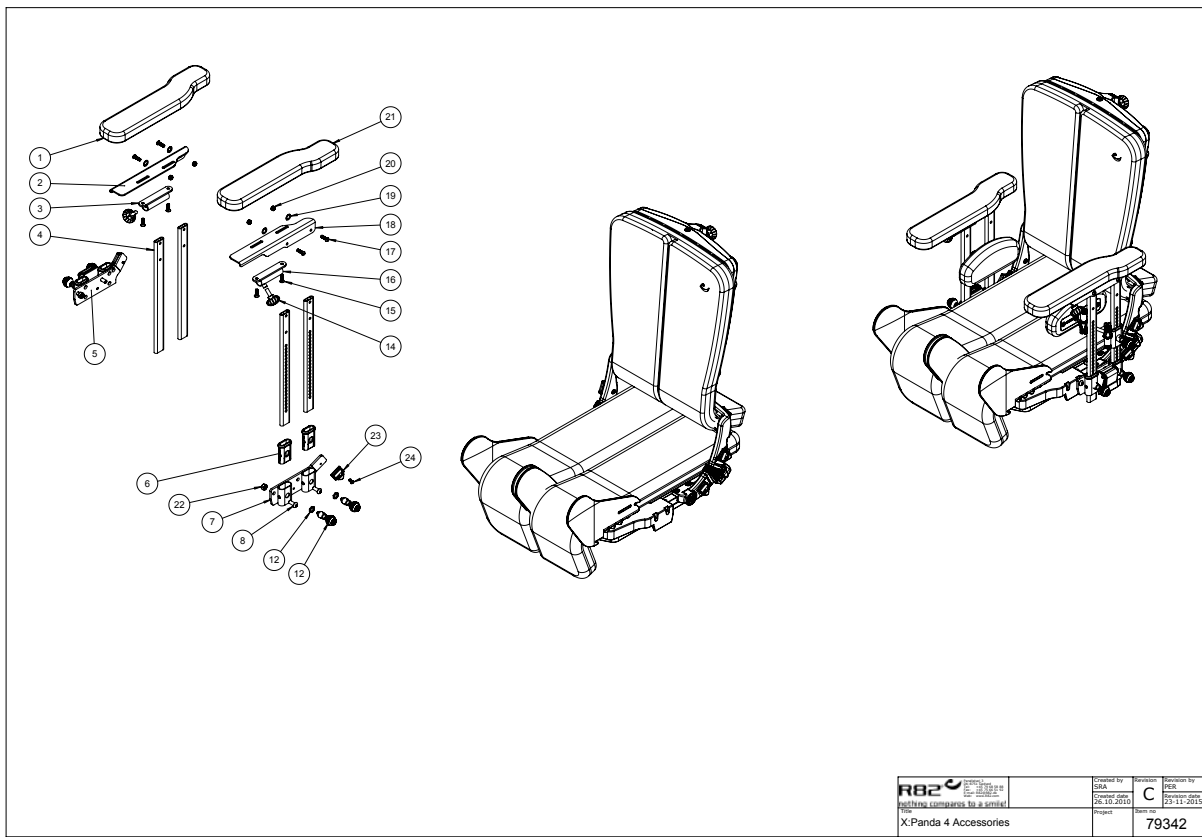
22 Seating | x:panda
R82 | a part of Elcor

## Contents

Armrests size 1 - 3 .....	3
Armrests size 4 dual rod .....	4
Armrests size 4 single rod .....	5
Back rest extension .....	6
Upper arm supports.....	7
Swing away shoulder supports .....	8
Side supports.....	9
Hip support - dual rod - size 4 .....	11
Hip support - single rod - size 4 .....	12
Pommel removable .....	13
Knee abdduction pommel.....	14
Swing-away tray, Two rod system tray, armrests, toybar and grip handle .....	15
Two rod system tray - Size 4 .....	18
Tray plast.....	19

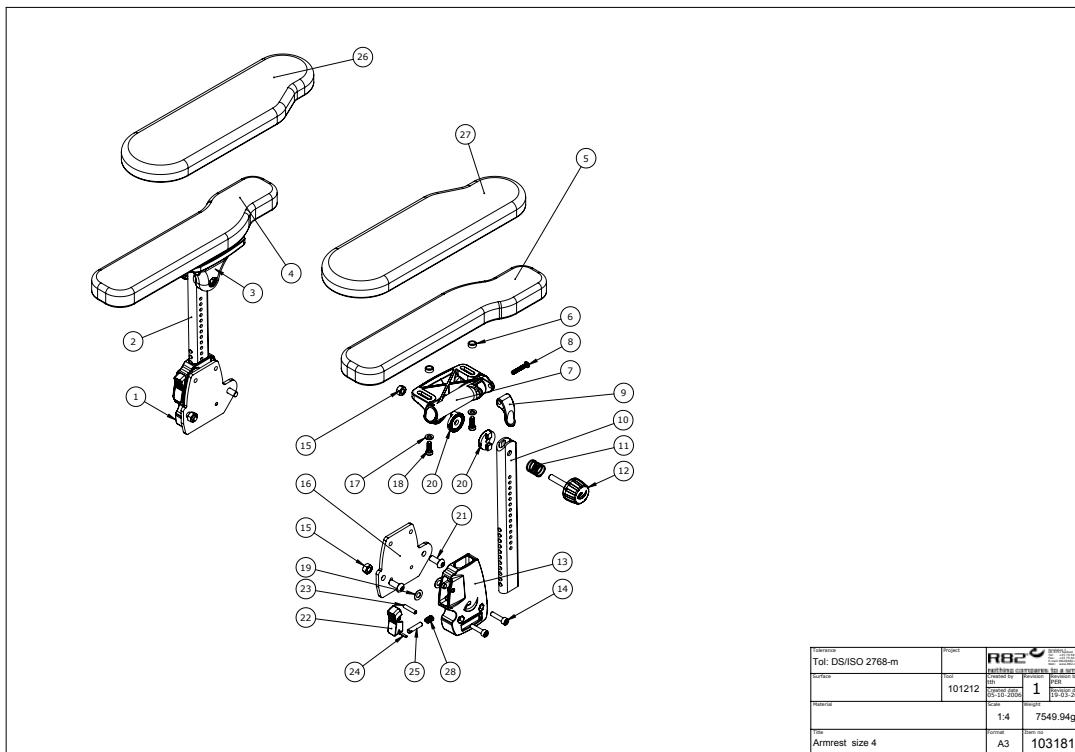


Position	No.	Description	Unit of Measure	Quantity	Ean code
1	116980	Release housing, left	PCS	1	5707292786395
2	120258	Release housing, Right	PCS	1	5707292786401
3	118979	Armrest size 1 left	PCS	1	5707292785572
3	128458	Armrest size 1 Tooth bar s.2 L	PCS	1	5707292810267
3	117344	Armrest size 2, L tooth bar s3	PCS	1	5707292786074
4	118992	Armrest size 1 right	PCS	1	5707292786067
4	128457	Armrest size 1 Tooth bar s.2 r	PCS	1	5707292810250
4	116760	Armrest Size 2, right	PCS	1	5707292785893

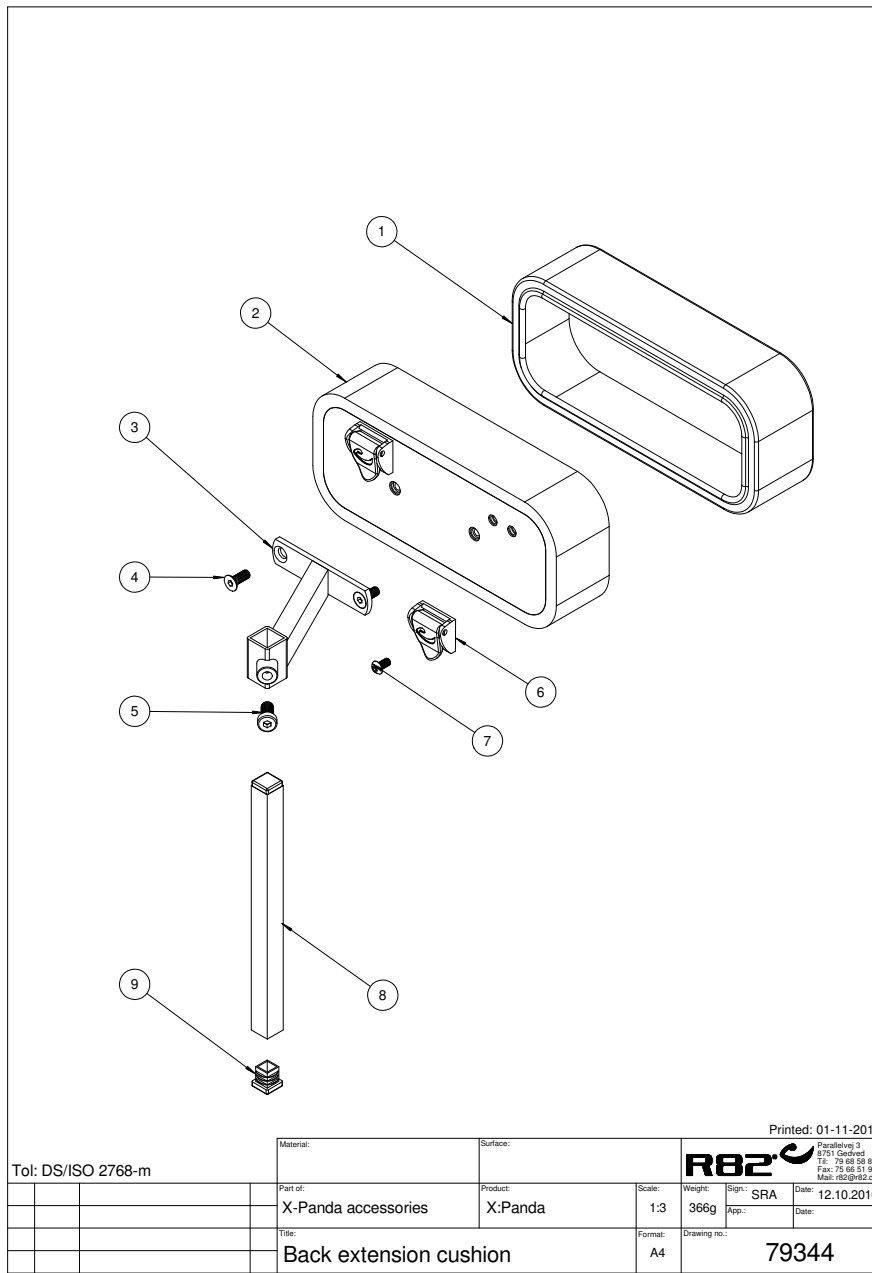


 <small>lighting compared to a smile!</small>	<small>Checked by</small> SBA	<small>Reviewed by</small> PEK
	<small>Checked date</small> 26.10.2015	<small>Reviewed date</small> 29.11.2015
<small>File</small> X:Panda 4 Accessories	<small>Project</small>	<small>Part No.</small> 79342

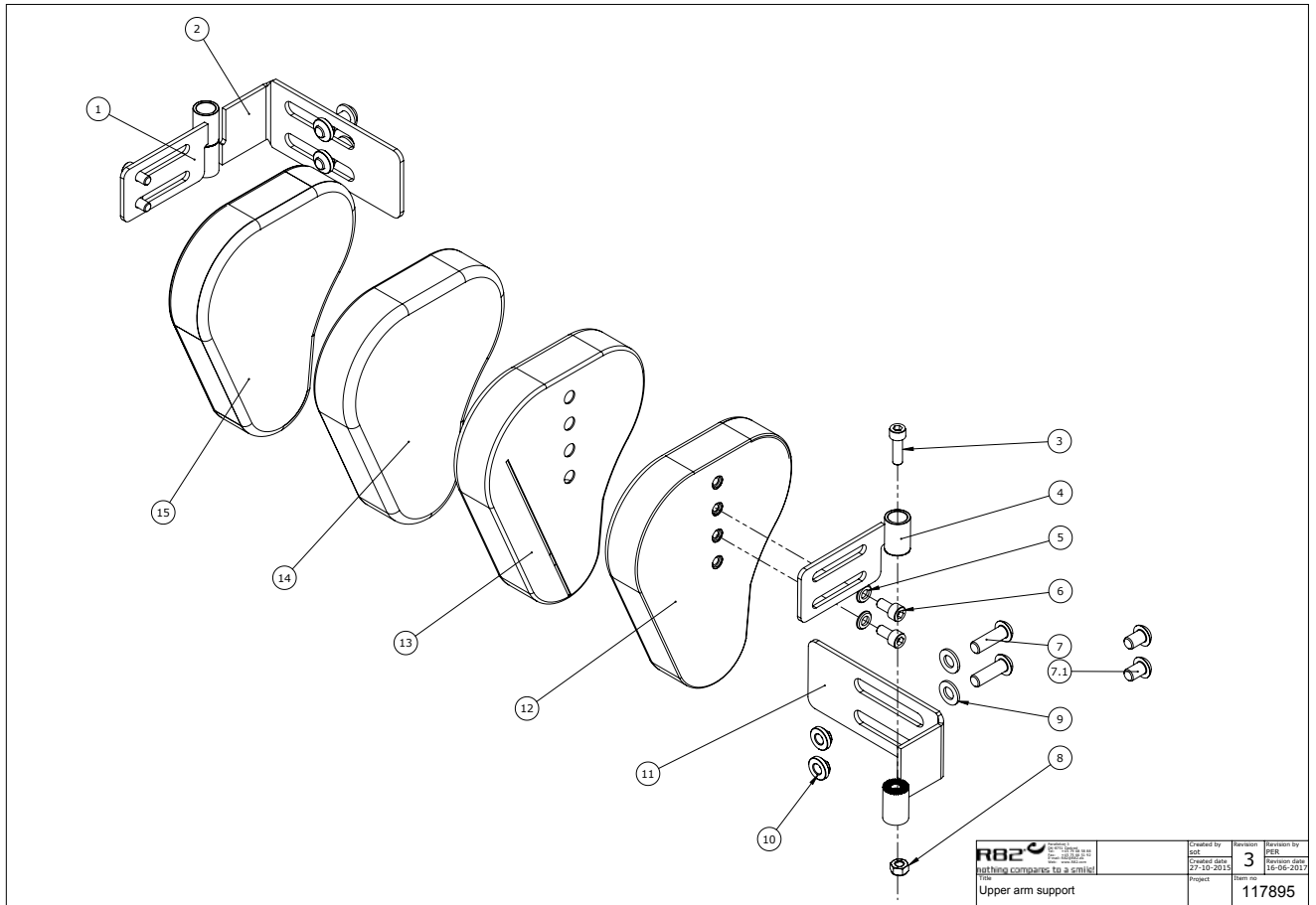
Position	No.	Description	Unit of Measure	Quantity	Ean code
1	6175163	Armrest pu. Wombat sz 4. Right	PCS	1	5707292443151
2	82705	Armrest right size 3	PCS	1	5707292442734
3	75443	Mounting for table, right	PCS	1	5707292517173
4	82666-1	Armrest, wombat, extended	PCS	4	5707292546906
4	82680	Armrest rod ext.	PCS	4	5707292531148
5	75438	Armrest bracket, right	PCS	1	5707292517227
6	5082923	Bush for arm rest x:panda 4	PCS	4	5707292570505
7	75439	Armrest bracket, left	PCS	1	5707292517265
8	0661800	Button head w/flange 8*20	PCS	4	5707292408075
12	9500001	Lock Wombat	PCS	4	5707292404527
14	3652501	R82 handle M6*16mm screw	PCS	2	5707292413963
15	0611000	Insex screw counters. 6*20	PCS	4	5707292138682
16	75442	Mounting for table, left	PCS	1	5707292517203
17	0641620	Button head screw 6*20	PCS	4	5707292139276
18	82718	Armrest bracket left size 3	PCS	1	5707292442727
19	1310640	Washer, nature Ø16*10*0,5mm	PCS	4	5707292140760
20	1606500	Lock nut 6 mm	PCS	4	5707292141361
21	6175164	Armrest pu. Wombat sz 4. Left	PCS	1	5707292443168
22	1607000	Lock nut 8mm, large pack	PCS	2	5707292141378
23	75306	Snap lock R82 25	PCS	2	5707292437624
24	0640911	Button head M5x10 FZB tuflok	PCS	2	5707292428479



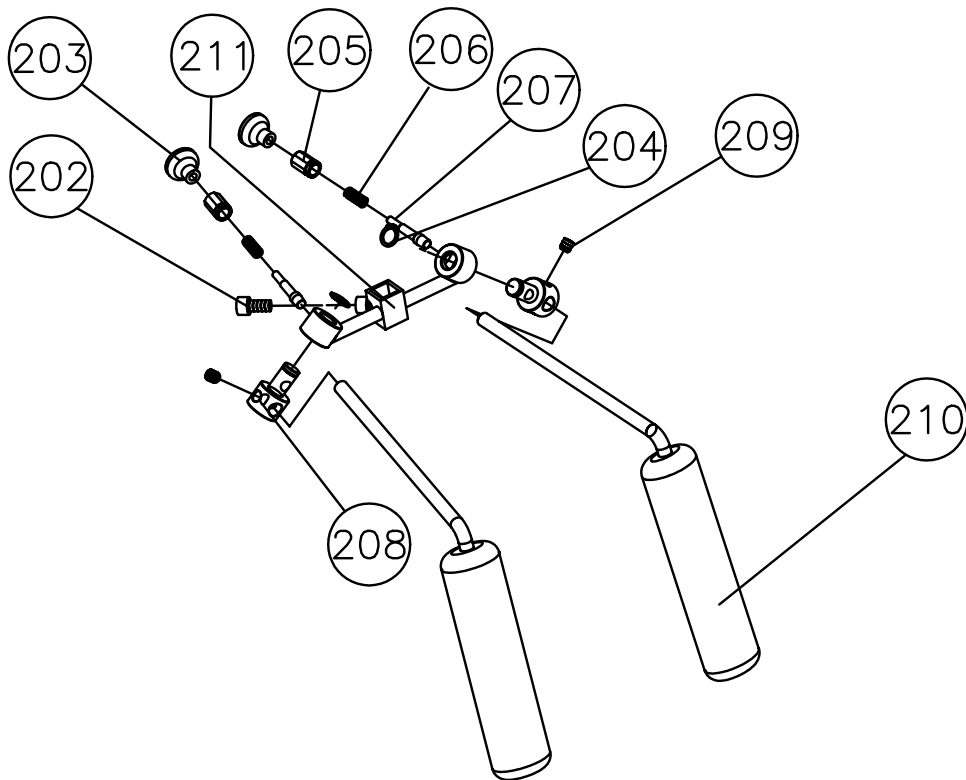
Position	No.	Description	Unit of Measure	Quantity	Ean code
1	103147	Holder for armrest, right	PCS	1	5707292566089
2	103190	Tube for elevation right	PCS	1	5707292566096
3	75392	Holder for armrest, right	PCS	1	5707292454775
4	6175163	Armrest pu. Wombat sz 4. Right	PCS	1	5707292443151
5	6175164	Armrest pu. Wombat sz 4. Left	PCS	1	5707292443168
6	1310539	Distance piece 12/8,4*5mm	PCS	4	5707292423474
7	75391	Holder for armrest, left	PCS	1	5707292454768
8	0659580	Button head screw 6*30 mm	PCS	2	5707292139481
9	75395	Lock, armrest & table	PCS	2	5707292454799
10	103191	Tube for elevation left	PCS	1	5707292566102
11	0310113	Stainless spring 1,2*16indv.*20	PCS	2	5707292453143
12	3501635	R82 handle dia.,M8*37	PCS	2	5707292451910
13	103126	Holder for armrest, left	PCS	1	5707292566072
14	0602425	Insex M6*25, stainless	PCS	4	5707292404596
15	1605001	M8-1,25 stainless steel	PCS	4	5707292412454
16	103016	Bracket for side support	PCS	2	5707292566065
17	1105060	Stainless washer 6mm	PCS	4	5707292140357
18	0602207	Insex M6*18, stainless	PCS	4	5707292430380
19	1310645	Washer, nature Ø16*8*0,5mm	PCS	4	5707292446015
20	74063	Toothed disk ø30*9	PCS	4	5707292377968
21	0662000	Button head screw 8*20 stainl.	PCS	4	5707292139573
22	74784	Release f. Armrest	PCS	2	5707292419903
23	0532006	Stainless spring pin M5*22	PCS	2	5707292570215
24	0588014	Rustl.tightening spring 3*14	PCS	2	5707292137753
25	74681	Locking pin, armrest	PCS	2	5707292419132
26	5020101	Padded right armrest,x:panda 4	PCS	1	5707292566188
27	5020106	Padded left armrest,x:panda 4	PCS	1	5707292566195
28	0310100	Pressure spring 0,9*8*23*10,5v	PCS	2	5707292135513



Position	No.	Description	Unit of Measure	Quantity	Ean code
1	8910652-160	Cover for back rest extension	STK	1	5707292542038
1	8910652-260	Cover for back rest extension	STK	1	5707292542045
1	8910652-360	Cover for back rest extension	STK	1	5707292542052
2	5031930	Padded back extens x-panda s 1	STK	1	5707292542410
2	5031931	Padded back exten. x-panda s.2	STK	1	5707292542458
2	5031932	Padded back exten. x-panda s.3	STK	1	5707292542465
3	76368	back extension bracket	STK	1	5707292542175
4	0609728	Insex, stainless 6*16 uh	STK	2	5707292138491
5	0603530	Insex low head M8x16 stainless	STK	1	5707292412492
6	75306	Snap lock R82 25	STK	2	5707292437624
7	0658010	Button head M5 x 10, stainless	STK	2	5707292139375
8	81155	Rod for backextension	STK	1	5707292112781
9	2504000	Ferrule e15*1,0-2,0 int.black	STK	1	5707292144102

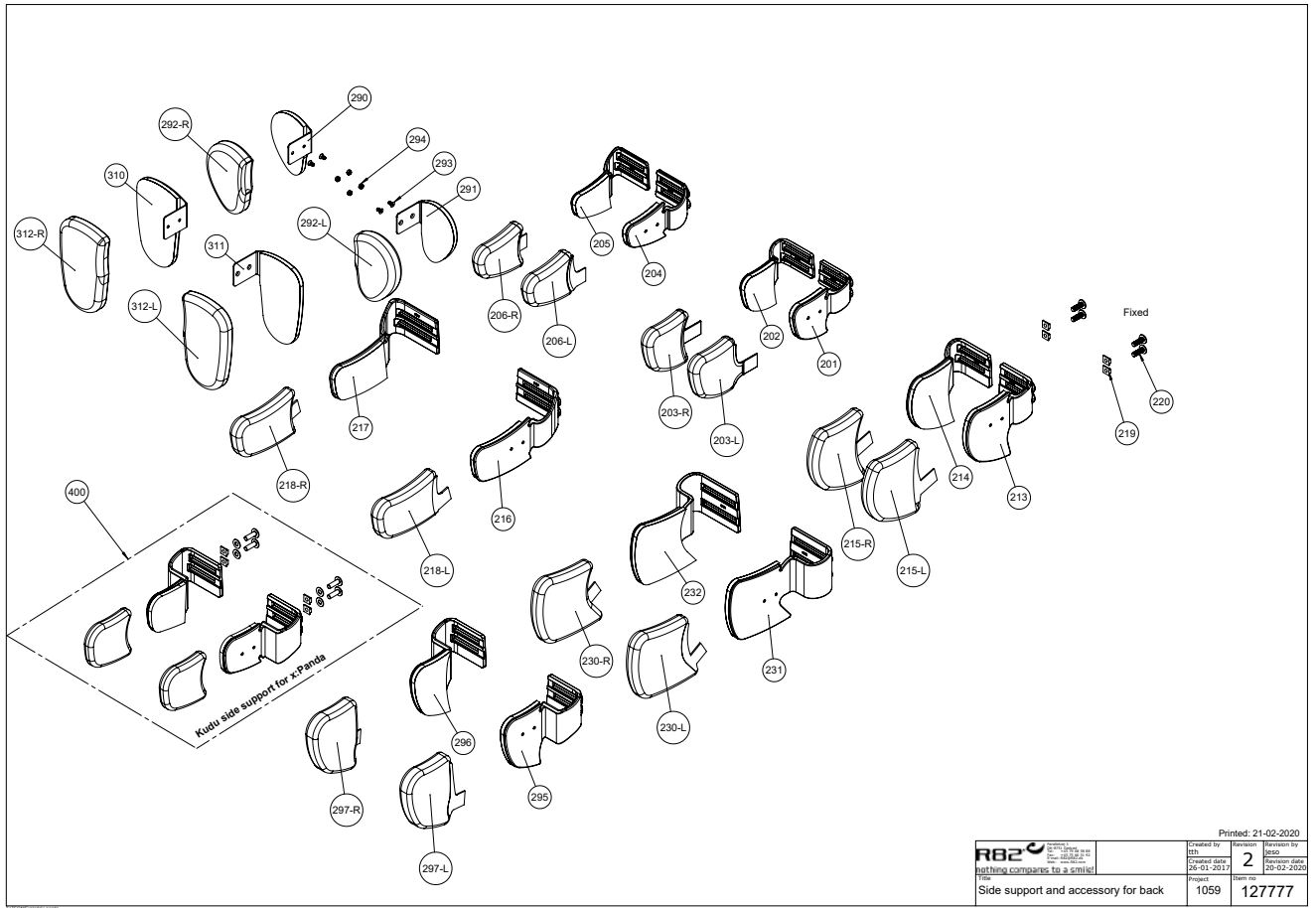


Position	No.	Description	Unit of Measure	Quantity	Ean code
1	117067	Joint f. upper arm sup. right	PCS	1	5707292613813
2	117066	Joint f. upper arm sup. right	PCS	1	5707292613806
3	0602200	Insex screw 6*16	PCS	2	5707292138095
4	114962	Joint f. upper arm sup. left	PCS	1	5707292613776
5	1103000	Fazet washer 6mm	PCS	4	5707292140289
6	0602190	Insex screw 6*12	PCS	4	5707292138088
7	0662500	Button head screw 8*25 stainl.	PCS	4	5707292139580
7.1	0661200	Button head screw 8*12 stainl.	PCS	4	5707292139542
8	1606500	Lock nut 6 mm	PCS	2	5707292141361
9	1105080	Stainless washer 8mm	PCS	4	5707292140364
10	6118920	M6 Nut	PCS	4	5707292433237
11	114970	Joint f. upper arm sup. left	PCS	1	5707292613820
12	117850	Padding upper arm sup. size2 L	PCS	1	5707292614018
12	117861	Padding upper arm sup. size1 L	PCS	1	5707292613981
13	8910407-20260L	Cover for adj. upper arm supp.	PCS	1	5707292788115
13	8910407-10160L	Cover for adj. upper arm supp.	PCS	1	5707292788078
14	8910407-20260R	Cover for adj. upper arm supp.	PCS	1	5707292788122
14	8910407-10160R	Cover for adj. upper arm supp.	PCS	1	5707292788085
15	117849	Padding upper arm sup. size2 R	PCS	1	5707292614056
15	117857	Padding upper arm sup. size1 R	PCS	1	5707292613998



Position	No.	Description	Unit of Measure	Quantity	Ean code
202	0602900	Insex screw 8*16	PCS	1	5707292138200
203	3706256	Knob 25, M6 thread	PCS	2	5707292147219
204	1100200	External snap ring	PCS	2	5707292140128
205	6108224	Sringhouse shoulder support	PCS	2	5707292185754
206	0310145	Pressure spring 0,9*8,6mm*15,5	PCS	2	5707292135612
207	6118800	Pin f/springhouse impala+panda	PCS	2	5707292186683
208	6109020	Holder f.shoulder support	PCS	2	5707292185938
209	0808008	Stainless stop screw 8*8	PCS	2	5707292140036
210	5700108	Glueing shoulder support-panda	PCS	2	5707292179517
211	82361	Mounting for shoulder support	PCS	1	5707292123657
211	82362	Mounting for shoulder support	PCS	1	5707292123664

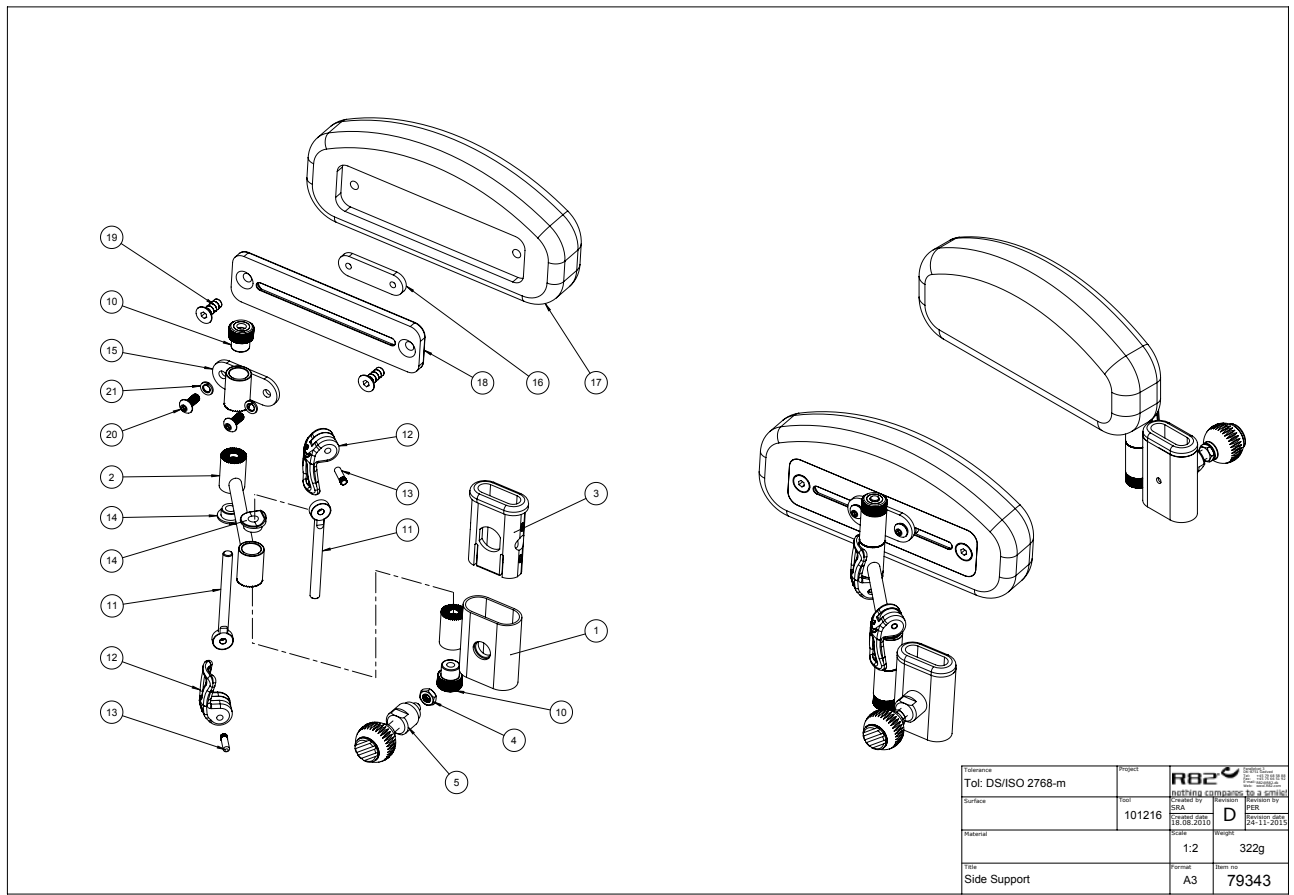




		Printed: 21-02-2020	
		Created by: jth	Revised: jth
nothing compares to a smile! Side support and accessory for back		Order date: 26-01-2017	Revision date: 20-02-2020
		Page: 1059	Issue no: 127777

Position	No.	Description	Unit of Measure	Quantity	Ean code
201+202	5700522-2	Complete backside support - 2	SET	1	5707292810472
201	5700522-2	Complete backside support - 2	SET	1	5707292810472
202	5700522-2	Complete backside support - 2	SET	1	5707292810472
203L	127527	Cover for left side supp. T.2	PCS	1	5707292807021
203R	127529	Cover for right side supp. T.2	PCS	1	5707292807038
204+205	5700520-2	Complete backside support - 1	SET	1	5707292810496
204	5700520-2	Complete backside support - 1	SET	1	5707292810496
205	5700520-2	Complete backside support - 1	SET	1	5707292810496
206L	127515	Cover for left side supp. T.1	PCS	1	5707292807007
206R	127517	Cover for right side supp. T.1	PCS	1	5707292807014
213+214	5700524-2	Complete backside support - 3	SET	1	5707292810489
213	5700524-2	Complete backside support - 3	SET	1	5707292810489
214	5700524-2	Complete backside support - 3	SET	1	5707292810489
215L	127531	Cover for left side supp. T.3	PCS	1	5707292807052
215R	127533	Cover for right side supp. T.3	PCS	1	5707292807069
216+217	5700526-2	Complete backside support - 4	SET	1	5707292810427
216	5700526-2	Complete backside support - 4	SET	1	5707292810427
217	5700526-2	Complete backside support - 4	SET	1	5707292810427
218L	127519	Cover for left side supp. T.4	PCS	1	5707292807076
218R	127521	Cover for right side supp. T.4	PCS	1	5707292807083
219	75203-1RAS	M8 slide with threads	PCS	4	5707292809841
220	0662501	Button head w/flange 8*25	PCS	4	5707292403759
230L	127535	Cover for left side supp. T.5	PCS	1	5707292807106
230R	127537	Cover for right side supp. T.5	PCS	1	5707292807113
231	5700528	cover back side size 5 left	PCS	1	5707292514004
232	5700529	Upholst back side supp 5 right	PCS	1	5707292514011
295	5700566	backside mounted size 6 R	PCS	1	5707292538413
295	5700565	backside mounted, size 6 L	PCS	1	5707292538406
296	5700565	backside mounted, size 6 L	PCS	1	5707292538406
296	5700566	backside mounted size 6 R	PCS	1	5707292538413
297L	127523	Cover for left side supp. T.6	PCS	1	5707292807137
297R	127525	Cover for right side supp. T.6	PCS	1	5707292807151
300	5027198	Sewn cover back s.5sp. r+1	PCS	2	5707292551337
301	5700519	Oplime rygsidest.str. 5 høj sp	PCS	1	5707292551320
302	5700518	Oplime rygsidest.str. 5 ven sp	PCS	1	5707292551245
304	5027196	Sewn cover back s.3sp. r+1	PCS	2	5707292572547
305+307	5700508	Oplime rygsidest.str. 3 spec.	SET	1	5707292572523
308	5700568	Oplime rygsidest.str. 6 h.spec	PCS	1	5707292574336
309	5027209	Sewn cover backsides s.6 spec	PCS	2	5707292574343
310	5700567	Oplime rygsidest.str. 6 v.spec	PCS	1	5707292574329





Position	No.	Description	Unit of Measure	Quantity	Ean code
1	75490	Adjustable toothdisc Left	PCS	1	5707292541369
2	76171	Cranck for side support	PCS	2	5707292491602
3	5082923	Bush for arm rest x:panda 4	PCS	2	5707292570505
5	9500001	Lock Wombat	PCS	2	5707292404527
6	75491	Adjustable toothdisc Right	PCS	1	5707292541376
10	76183	Handle M6 with bush	PCS	4	5707292505859
11	76201	Stay with M6	PCS	4	5707292503992
12	76188	Handle eccentric	PCS	4	5707292503350
13	0529045	Pin 4*15mm, stainless 303	PCS	4	5707292509833
14	76189	Saddle for excentrik hande	PCS	4	5707292503374
15	74905	Toothdisc bracket	PCS	2	5707292499080
16	82974	Threaded plate for hip support	PCS	2	5707292126184
17	6175171	Cushion size 1	PCS	2	5707292189301
18	82953	Plate for hip support	PCS	2	5707292126047
19	0609728	Insex, stainless 6*16 uh	PCS	4	5707292138491
20	0658010	Button head M5 x 10, stainless	PCS	4	5707292139375
21	1100485	Spring washer M5, stainless	PCS	4	5707292478603

Position	Side/QTY	Description	Part No.
1	2	Pin 4x15 with texture	
2	2	76188	Handle eccentric
3	2	76189	Saddle for excentrik handle
4	2	76201	Eye bolt M6
5	1	103218	Mounting for hip-support welded
6	2	76183	Handle M6 with bush
7	1	103223	Cranck for side support
8	2	1100490	W6*12*1,6-SP-SS
9	2	0659200	M6*12-BH-SS-A-A4
10	2	0659005	Insex Skrue BH M05 x 12 - 12S
12	1	74905	Toothdisc Bracket
13	1	82953	Pad for pilot
14	2	0609728	Countersunk Screw M6x16
15	1	82974	
16	1	6175172	Pur hoftestøtte str. 2
11	2	Fjederskive M05	

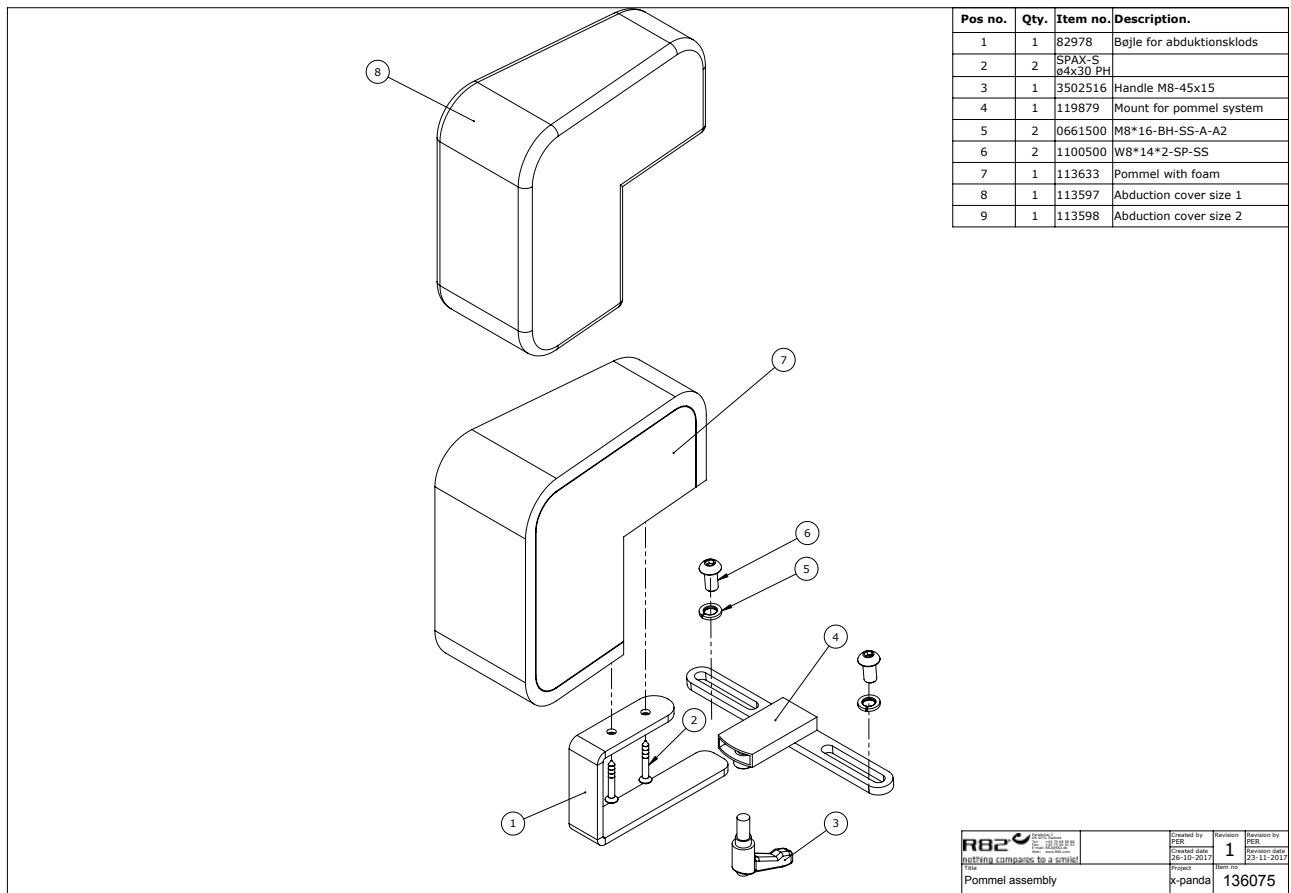
Created by: SRA Checked date: 18.08.2010 Title: Side Support x-panda 4	Approved by: PER Approved date: 04-10-2012 Part No.: 103230
--	---

Position	No.	Description	Unit of Measure	Quantity	Ean code
1	0529045	Pin 4*15mm, stainless 303	PCS	4	5707292509833
2	76188	Handle eccentric	PCS	4	5707292503350
3	76189	Saddle for excentrik hande	PCS	4	5707292503374
4	76201	Stay with M6	PCS	4	5707292503992
5	103218	Mounting for hipsupport	PCS	2	5707292565914
6	76183	Handle M6 with bush	PCS	4	5707292505859
7	103223	Cranck for side support	PCS	2	5707292565907
8	1100490	Spring washer M6 stainless	PCS	4	5707292411297
9	0659200	Button head screw 6*12 stainl.	PCS	4	5707292139436
10	0658010	Button head M5 x 10, stainless	PCS	4	5707292139375
11	1100485	Spring washer M5, stainless	PCS	4	5707292478603
12	74905	Toothdisc bracket	PCS	2	5707292499080
13	82953	Plate for hip support	PCS	2	5707292126047
14	0609728	Insex, stainless 6*16 uh	PCS	4	5707292138491
15	82974	Threaded plate for hip support	PCS	2	5707292126184
16	6175172	Cushion size 2	PCS	2	5707292189318

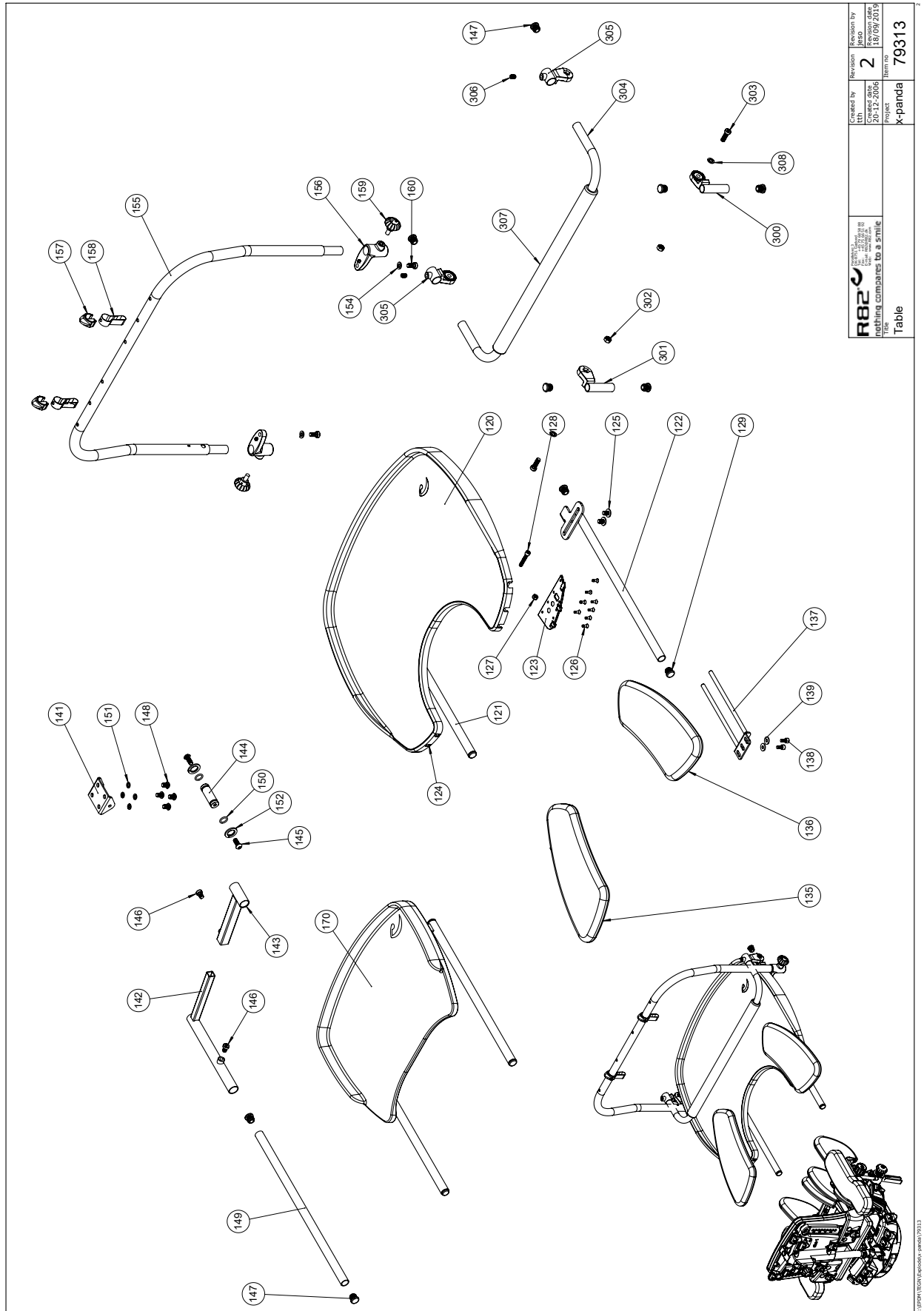
Pos no.	QTY.	Item no.	Description.
1	1	0602486	M8*16-CS-SS-A-A2
2	1	75206	Bracket for abduction block
3	1	0603540	M8*16-CL-SS-A-A2
4	1	101054	Seat piece
5	2	0602195	M6*12-CY-SS-A-A2
6	2	1105060	W6,4*12*1,6-FL-SS
7	1	101055	Pommel piece
8	1	6175111	
9	2	SPAX-S ø5x16 PH	

Tolerance Tot: DS/ISO 2768-m	Project	 nothing compares to a smile! Created by: SRA Created date: 29.03.2010 Revision: PBR Revision date: 10-11-2011	
Surface	Tool	Scale 1:2	Weight g
Material		Format A4	Item no 101058
Title Abduction Block mounted			

Position	No.	Description	Unit of Measure	Quantity	Ean code
1	0602486	Insex M8*16	PCS	1	5707292434272
2	75206	Bracket for abduction block	PCS	1	5707292442284
3	0603530	Insex low head M8x16 stainless	PCS	1	5707292412492
4	101054	Seat piece	PCS	1	5707292554758
5	0602195	Insex M6*12 stainless	PCS	2	5707292404701
6	1105060	Stainless washer 6mm	PCS	2	5707292140357
7	101055	Pommel piece	PCS	1	5707292554765
8	6175110	Pommel turtle, black pur	PCS	1	5707292466624
8	6175111	Pommel size 1, black pur	PCS	1	5707292189103
8	6175112	Pommel size 2, black pur	PCS	1	5707292189110
8	6175113	Pommel sz. 3, black pur	PCS	1	5707292189127
8	6175114	Pommel size 4, black pur	PCS	1	5707292189134
9	1811275	Cutting screw 4*30mm	PCS	2	5707292141743



Position	No.	Description	Unit of Measure	Quantity	Ean code
1	82978	Pommel brace Wombat	PCS	1	5707292126221
2	1811275	Cutting screw 4*30mm	PCS	2	5707292141743
3	3502516	Tightening handle 45mm M8*16	PCS	1	5707292146915
4	119879	Mount for pommel system	PCS	1	5707292621320
5	1100500	Spring washer 8mm, stainless	PCS	2	5707292140142
6	0661500	Button head screw 8*16 stainl.	PCS	2	5707292139559
7	113633	Pommel with foam	PCS	1	5707292600882
8	95430-10160	Cover f. knee abduction pommel	PCS	1	5707292600646

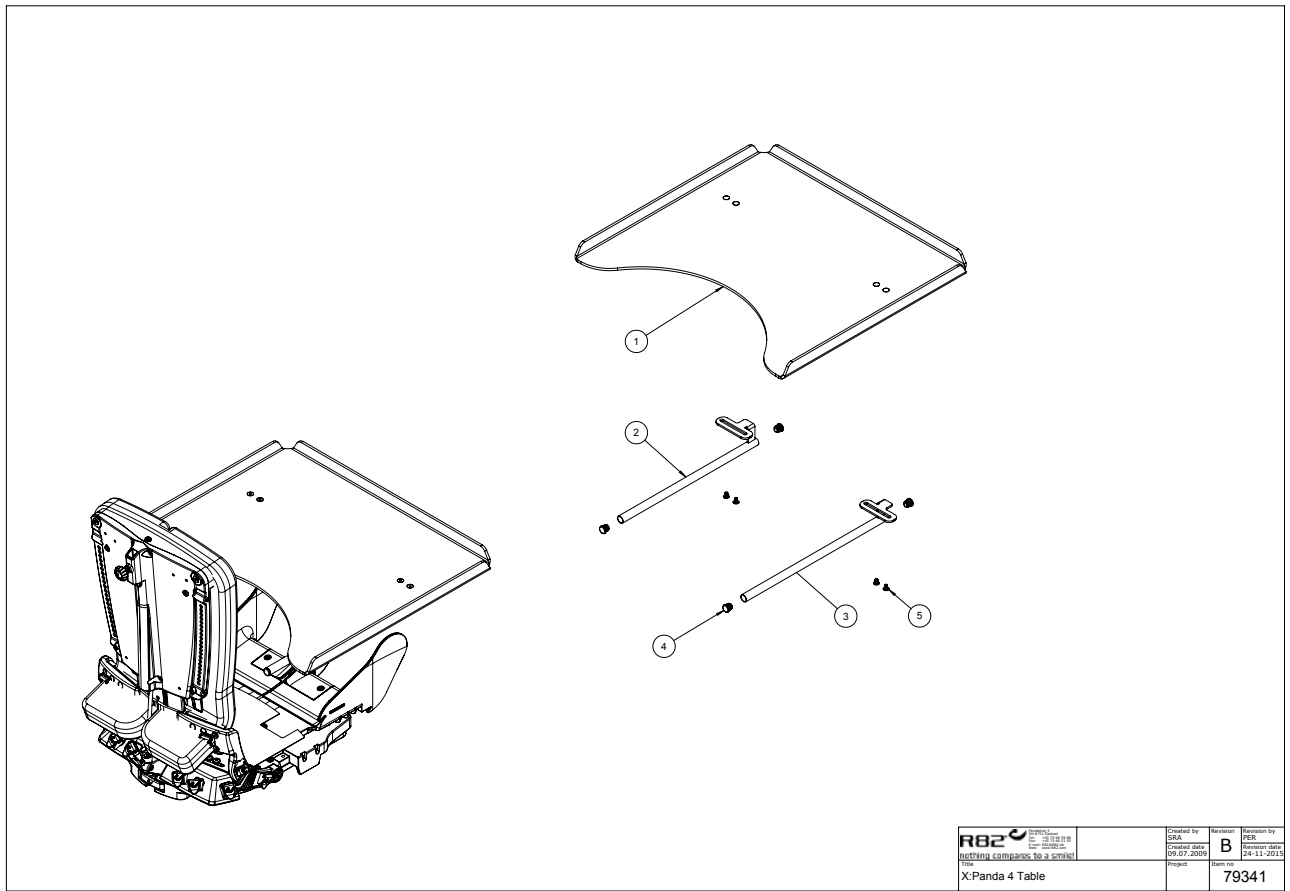


 R82 A/S Rindøvej 3 8751 Gedved Denmark	Created by 141	Revision by 2	Revision date 18/09/2019
	Created date 20-12-2006	Project x-panda	Item no. 79313
Part name Table			79313

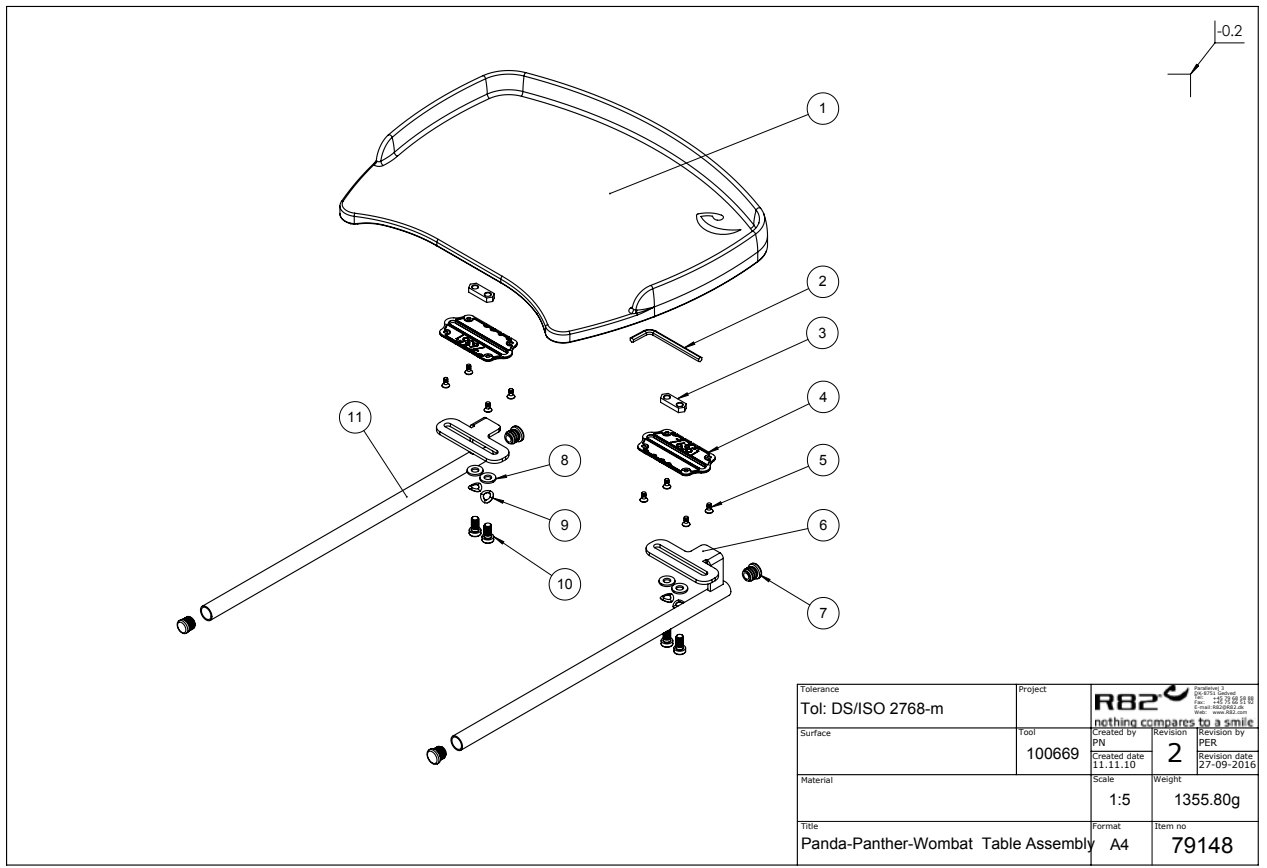


Position	No.	Description	Unit of Measure	Quantity	Ean code
120	75361	Table size 1	PCS	1	5707292455994
120	75362	Table size 2	PCS	1	5707292456298
123	75358	Cover plate for table 1, right	PCS	1	5707292456236
124	75359	Cover plate for table 1, left	PCS	1	5707292456243
126	1940038	Eco-syn uh Ø4*14	PCS	16	5707292465597
127	1631060	Stainless lock nut 6mm	PCS	2	5707292141446
128	0602435	Insex screw 6*35	PCS	2	5707292138132
135	5037981	Upholstered armrest, right	PCS	1	5707292456441
136	5037980	Upholstered armrest, left	PCS	1	5707292456434
137	75342	Bracket for armrest	PCS	2	5707292456052
138	0602195	Insex M6*12 stainless	PCS	4	5707292404701
139	1105060	Stainless washer 6mm	PCS	4	5707292140357
141	75330	Bracket	PCS	1	5707292456083
142	148835	Rocker shaft f. Table	PCS	1	5707292911629
143	148836	Rocker shaft	PCS	1	5707292911971
144	75334	Bush for rocker table	PCS	1	5707292456151
145	0659550	Button head M6*20, stainless	PCS	2	5707292139467
146	0609816	Stainless insex screw 8*16	PCS	2	5707292138569
147	2502002	Ferrule d18*0,8-2,5 black	PCS	2	5707292433947
148	0661200	Button head screw 8*12 stainl.	PCS	4	5707292139542
149	75338	Rocker shaft	PCS	1	5707292456168
150	0102500	O-ring 12,5*2 nbr70	PCS	2	5707292467362
151	1100500	Spring washer 8mm, stainless	PCS	4	5707292140142
152	1100490	Spring washer M6 stainless	PCS	2	5707292411297
154	1100495	Spring washer M8	PCS	2	5707292458674
155	75345	Aktiviti pipe	PCS	1	5707292456175
156	75363	Holder for activity pipe	PCS	2	5707292456328
157	73819	Safety pin	PCS	2	5707292441447
158	5505015	Strap for toy bar	PCS	2	5707292470171
159	3503001	R82 handle M8x15mm screw	PCS	2	5707292413925
160	0603534	Insex low head M8x20	PCS	2	5707292575302
182	6153700	Knob spring f.activity centre	PCS	4	5707292188601
186	82472	Mounting f.activity centre	PCS	2	5707292124494
187	82471	Mounting f.activity centre	PCS	2	5707292124487
188	1102000	Planing washer 8mm	PCS	2	5707292140227
189	3504000	Tightening handle 42mm M8*20	PCS	2	5707292147097
191	1603000	Steel nut 6 mm	PCS	2	5707292141279
192	0615500	Eye screw 6*16	PCS	2	5707292138897
193	82460	Brace, right, activity centre	PCS	1	5707292124401
194	82463	Intermidate, activity centre	PCS	1	5707292124432
195	2521500	Pipeholder Ø14/15, white	PCS	6	5707292144379
196	82450	Tableplate f. Activity centre	PCS	1	5707292124302
199	0621600	Insex screw counters. 6*16	PCS	4	5707292138965
201	82461	Brace, left, activity centre	PCS	1	5707292124418
300	75861	Joint part-table-right	PCS	1	5707292480583
301	75860	Joint part-table-left	PCS	1	5707292480576
302	1631080	Stainless lock nut 8mm	PCS	2	5707292141453
303	0603535	Insex low head M8*25	PCS	2	5707292575319
304	75857	Pipe for brace on tray	PCS	1	5707292480521

305	75859	Joint-rail-right/left	PCS	2	5707292480552
306	0603530	Insex low head M8x16 stainless	PCS	2	5707292412492
307	2500631	fex tubing CPE/EPDM	PCS	1	5707292574053
308	1100495	Spring washer M8	PCS	2	5707292458674



Position	No.	Description	Unit of Measure	Quantity	Ean code
1	80221	Table for x:panda 4	PCS	1	5707292517326
2	0589500	Insex keys n5	PCS	1	5707292137869
3	77557	Slide bar (M8x2)	PCS	2	5707292544995
4	76351	Mounting plate	PCS	2	5707292541741
5	0631990	Button head with flange M6*8	PCS	4	5707292517333
5	1940011	Plastite 60, 4*8	PCS	8	5707292545978
6	1125618	Screenwasher fz6*18*3mm	PCS	4	5707292140494
8	1105080	Stainless washer 8mm	PCS	4	5707292140364
9	1100500	Spring washer 8mm, stainless	PCS	4	5707292140142
10	0661500	Button head screw 8*16 stainl.	PCS	4	5707292139559



Position	No.	Description	Unit of Measure	Quantity	Ean code
1	76350	Table for Stingray, Grey	PCS	1	5707292541727
2	0589500	Insex keys n5	PCS	1	5707292137869
3	77557	Slide bar (M8x2)	PCS	2	5707292544995
4	76351	Mounting plate	PCS	2	5707292541741
5	1940011	Plastite 60, 4*8	PCS	8	5707292545978
8	1105080	Stainless washer 8mm	PCS	4	5707292140364
9	1100500	Spring washer 8mm, stainless	PCS	4	5707292140142
10	0661500	Button head screw 8*16 stainl.	PCS	4	5707292139559
6+7+11	5075364	Brackets for table sz 4	SET	1	5707292543608
9	1100500	Spring washer 8mm, stainless	PCS	4	5707292140142