

x:panda

Exploded views / Part lists

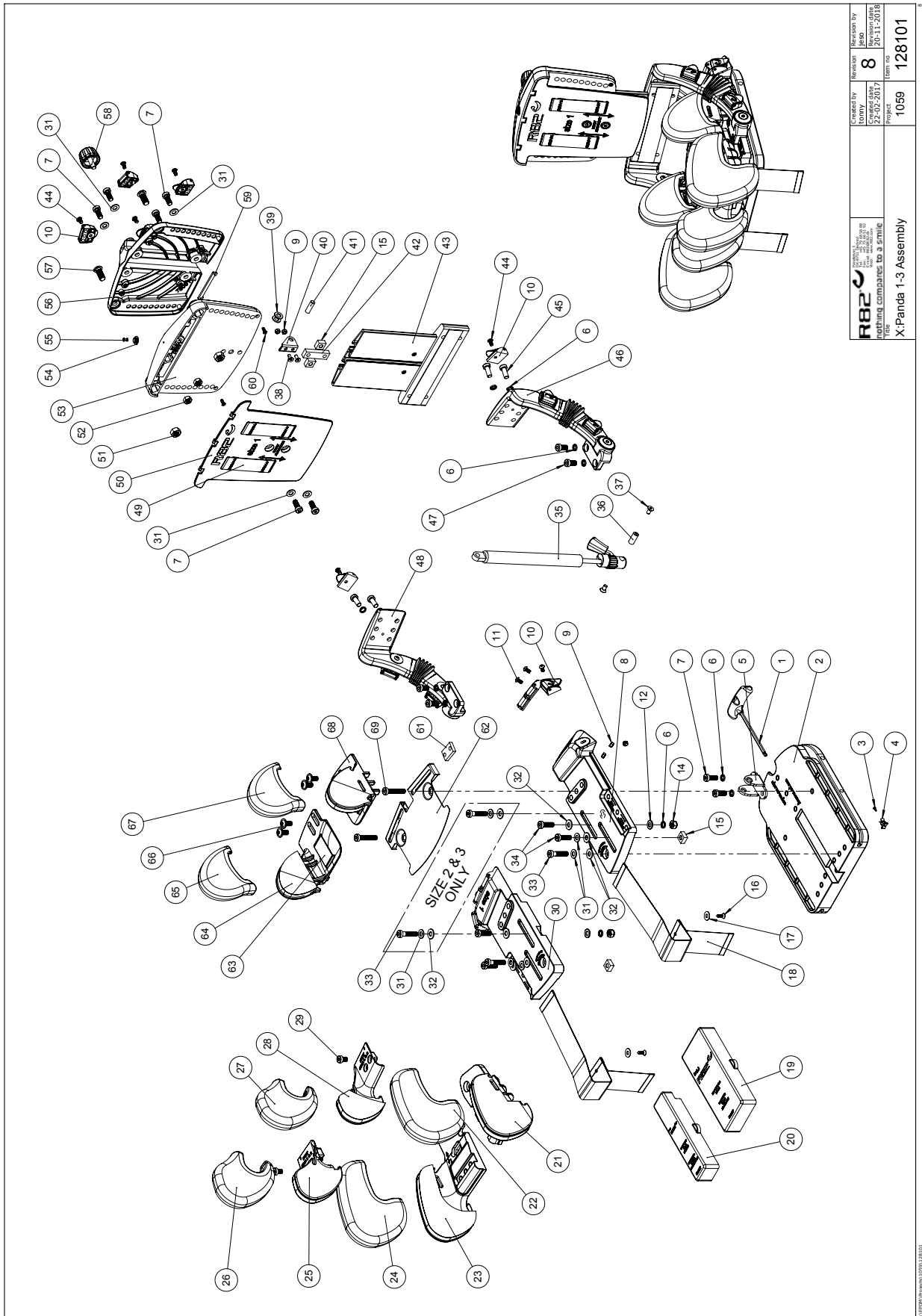
Rev. date 01.2019


On the following pages you will find the parts used to assemble this product. Please note that some spare parts cannot be purchased individually but are part of a complete kit. Please also note that for some spare parts extra delivery time may occur.



Contents

Seat unit size 1 - 3.....	3
Seat unit size 4.....	7

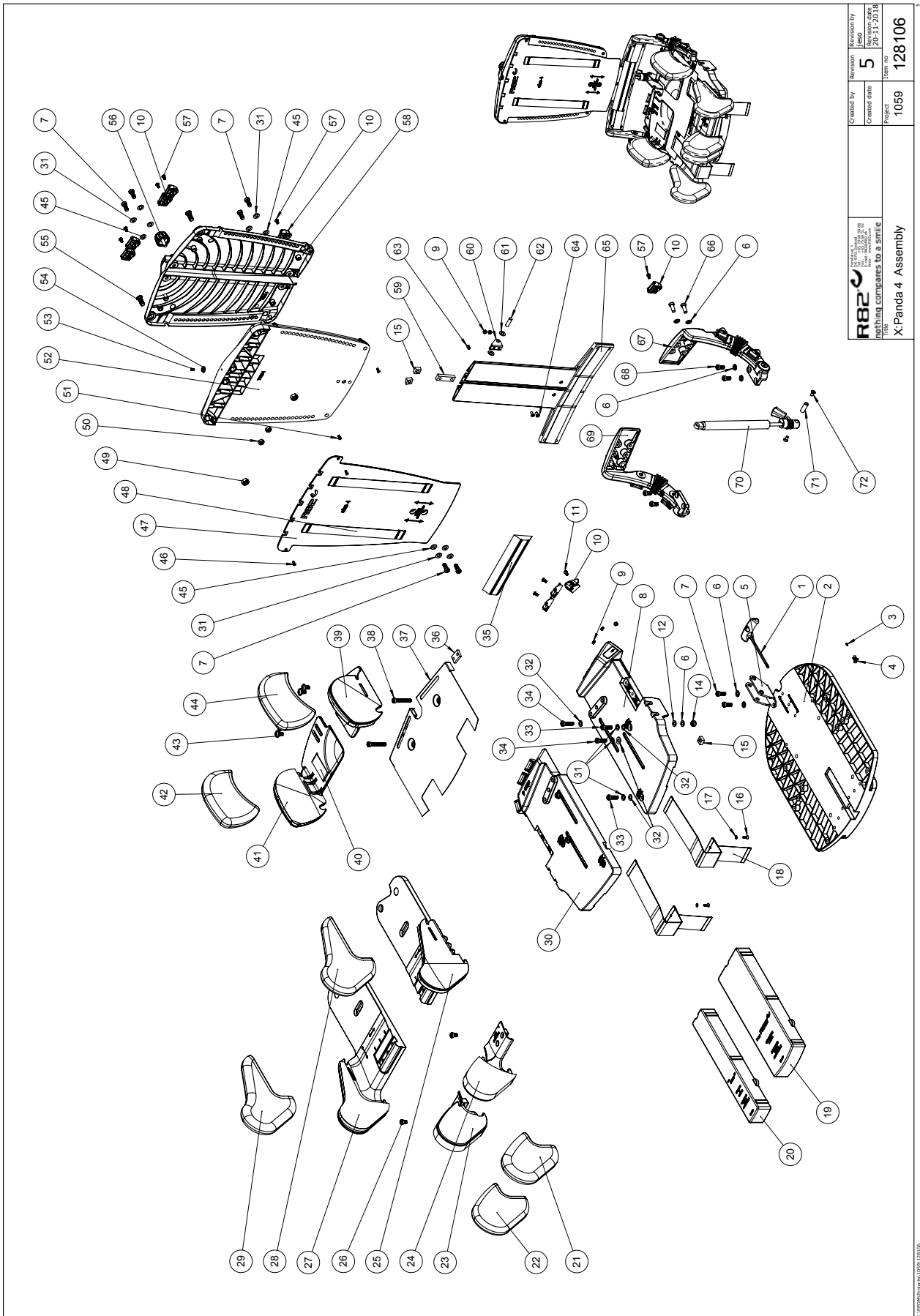


 R82 A/S Parallelvej 3 8751 Gedved Denmark	Created by LOMBY	Revision by R82	Revision no. 8
	Effective date 22-02-2017	Revision date 20-11-2016	Item no. 128101
X:Panda 1-3 Assembly			Item no. 1059

Position	No.	Description	Unit of Measure	Quantity	Ean code
1	75291	Hexagon key nv=5	PCS	1	5707292437655
2	75001	Baseplate 1	PCS	1	5707292431608
2	75002	Baseplate 2	PCS	1	5707292441973
2	75003	Baseplate 3	PCS	1	5707292458766
3	1810055	Platescrew st 2,9x6,5	PCS	1	5707292469519
4	0235080	Spring clip	PCS	1	5707292442901
5	75183	Bracket for height adjustment	PCS	1	5707292458933
5	75184	Bracket for height adjustment	PCS	1	5707292458872
6	1100495	Spring washer M8	PCS	12	5707292458674
7	0603534	Insex low head M8x20	PCS	8	5707292575302
7	0603534	Insex low head M8x20	PCS	8	5707292575302
8	75006	Sliding plate 1, left	PCS	1	5707292431615
8	75007	Sliding plate 2, left	PCS	1	5707292441980
8	75008	Sliding plate 3, left	PCS	1	5707292458742
9	1606300	Lock nut 5 mm	PCS	8	5707292141354
10	75306	Snap lock R82 25	PCS	12	5707292437624
11	0658010	Button head M5 x 10, stainless	PCS	6	5707292139375
12	1103200	Fazet washer 8mm	PCS	2	5707292140296
12	0683925	Washer 8x14x1	PCS	2	5707292467980
14	1631080	Stainless lock nut 8mm	PCS	2	5707292141453
15	80615	Slidebar 15x15x8, M8	PCS	4	5707292437600
16	1811105	Screw 4.2x16uh, stainless	PCS	2	5707292141699
17	1101950	Washer Ø6,1-16*1 mm, FZB	PCS	2	5707292140210
18	127383	Micro velcro for seat size 1+2	PCS	2	5707292801401
18	127384	Micro velcro for seat size 3	PCS	2	5707292801418
19	75086	Spacer f.seat large size 1-2	PCS	1	5707292431752
19	75087	Spacer f.seat large size 3	PCS	1	5707292454416
20	75081	Spacer f. Seat medium size 1-2	PCS	1	5707292431745
20	75082	Spacer f. Seat medium size 3	PCS	1	5707292454409
22	127499	Cover for left adduktion size1	PCS	1	5707292805393
22	127503	Cover for left adduktion size2	PCS	1	5707292805430
22	127507	Cover for left adduktion size3	PCS	1	5707292805478
24	127501	Cover f. right adduktion size1	PCS	1	5707292805416
24	127505	Cover f. Right adduktion size2	PCS	1	5707292805454
24	127509	Cover f. Right adduktion size3	PCS	1	5707292805485
24	127501	Cover f. right adduktion size1	PCS	1	5707292805416
26	127489	Cover Right leg abduction s1+2	PCS	1	5707292805867
26	127493	Cover right leg abduction S.3	PCS	1	5707292805881
27	127487	Cover left leg abduction s.1+2	PCS	1	5707292805850
27	127491	Cover left leg abduction S.3	PCS	1	5707292805874
29	0603525	Insex low head M8x12 stainless	PCS	2	5707292433749
30	75011	Sliding plate 1, right	PCS	1	5707292431622
30	75012	Sliding plate 2, right	PCS	1	5707292441997
30	75013	Sliding plate 3, right	PCS	1	5707292458759
31	1101050	Spring washer M8, wavy FZB	PCS	10	5707292458667
32	1102000	Planing washer 8mm	PCS	6	5707292140227
33	0603535	Insex low head M8*25	PCS	2	5707292575319
33	0603537	Insex low head M8x35	PCS	4	5707292575333
34	0603535	Insex low head M8*25	PCS	4	5707292575319

35	P-8911100	Gas spring f/x:panda 1+2,100 n	PCS	1	5707292474667
35	P-8911150	Gasspring for x:panda 3, 150 n	PCS	1	5707292474674
36	75214	Bush Ø10x27-M6	PCS	1	5707292458889
37	0621200-1	Stainless insex 6x12	PCS	2	5707292844026
38	0631862	Insex uh. 5x12, FZB	PCS	2	5707292352293
39	1310711	Nylon washer 15x8,4x1,5mm	PCS	2	5707292429933
40	109284	Bracket for block-o-lift	PCS	1	5707292577351
41	0530004-1	Cyl. pin Ø8x24 mm.	PCS	1	5707292605085
42	80616	Slidebar 50x15x6,M8,2	PCS	1	5707292476319
43	128189	Profile for back assembly s.1	PCS	1	5707292789686
43	128190	Profile for back assembly, s 2	PCS	1	5707292789754
43	128191	Profile for back assembly, s 3	PCS	1	5707292789730
44	0640911	Button head M5x10 FZB tuflok	PCS	6	5707292428479
45	0603533	Insex M8x20, lav hoved RF	PCS	4	5707292575296
46	128140-1	Gear wheel assembly L size1+2	PCS	1	5707292788603
46	128140-3	Gear wheel assembly L size 3	PCS	1	5707292788627
47	0603530	Insex low head M8x16 stainless	PCS	4	5707292412492
48	128141-1	Gear wheel assembly R size1+2	PCS	1	5707292788610
48	128141-3	Gear wheel assembly R size 3	PCS	1	5707292788634
49	4913040	30mm adhesive hook, black	MTR	0,28	5707292786517
50	75056	Inside plate for back 1	PCS	1	5707292431714
50	75057	Inside plate for back 2	PCS	1	5707292442079
50	75058	Inside plate for back 3	PCS	1	5707292458865
51	1604000	Steel nut 10 mm	PCS	2	5707292141293
52	1603500	Steel nut 8mm, large pack	PCS	2	5707292141286
53	75051	Base plate for back 1	PCS	1	5707292431707
53	75052	Base plate for back 2	PCS	1	5707292442062
53	75053	Base plate for back 3	PCS	1	5707292458834
54	0450052	Ball f. Pushbutton	PCS	1	5707292452313
55	0504800	Blind rivet tap 3,2x11	PCS	1	5707292551030
56	75061	Cover for back 1	PCS	1	5707292431899
56	75062	Cover for back 2	PCS	1	5707292442086
56	75063	Cover for back 3	PCS	1	5707292458841
57	0604450	Insex M10x25, black	PCS	2	5707292451569
58	119862	R82 handle ø35*16 M8	PCS	1	5707292771988
59	75211	Anchor shackle	PCS	1	5707292437112
60	1940003	Eco syn 3,5x12,us head	PCS	2	5707292469984
61	75190	Slide bar 30x15x6 (M8x2)	PCS	2	5707292442246
62	75221-1	coverplate size 1 x-panda	PCS	1	5707292587411
62	75222-1	Coverplate size 2 x-panda	PCS	1	5707292587428
62	75223-1	coverplate size 3, x-panda	PCS	1	5707292587435
65	127473	Cover for righ hip support 1-2	PCS	1	5707292805324
65	127481	Cover for righ hip support s.3	PCS	1	5707292805386
66	0661501	Button head w/flange 8x16	PCS	4	5707292139566
67	127471	Cover for Left hip support 1-2	PCS	1	5707292805317
67	127479	Cover for Left hip support s.3	PCS	1	5707292805331
69	0603538	Insex low head M8*40	PCS	2	5707292575340
69	0603539	Insex low head M8x50	PCS	2	5707292575357
21+23	5700532-2	Complete seatside support 1	SET	1	5707292796615
21+23	5700534-2	Complete seatside support 2	SET	1	5707292796684

21+23	5700536-2	Complete seaside support 3	SET	1	5707292796875
25+28	5700530-2	Complete seaside support 1&2	SET	1	5707292633361
25+28	5700540-2	Complete seaside support 3	SET	1	5707292796936
25+28	5700530-2	Complete seaside support 1&2	SET	1	5707292633361
63+64+68	5700512-2	Complete hip support 1&2	SET	1	5707292796677
63+64+68	5700514-2	Complete hip support 3	SET	1	5707292797032



 R82 A/S nothing compares to a serial	Created by	Revision	Revision by
	Created date	5	5
Project	1059	Item no.	128106
X-Panda 4 Assembly			

Position	No.	Description	Unit of Measure	Quantity	Ean code
1	75291	Hexagon key nv=5	PCS	1	5707292437655
2	75004	Baseplate 4	PCS	1	5707292506764
3	1810055	Platescrew st 2,9x6,5	PCS	1	5707292469519
4	0235080	Spring clip	PCS	1	5707292442901
5	75185	Bracket for height adjustment	PCS	1	5707292442215
6	1100495	Spring washer M8	PCS	12	5707292458674
7	0603534	Insex low head M8x20	PCS	8	5707292575302
8	75009	Sliding plate 4, left	PCS	1	5707292506771
9	1606300	Lock nut 5 mm	PCS	8	5707292141354
10	75306	Snap lock R82 25	PCS	14	5707292437624
11	0658010	BUTTON HEAD M5 X 10,STAINLESS	PCS	6	5707292139375
12	0683925	Washer 8x14x1	PCS	2	5707292467980
14	1631080	Stainless lock nut 8mm	PCS	2	5707292141453
15	80615	Slidebar 15x15x8, M8	PCS	4	5707292437600
16	1811105	Screw 4.2x16uh, stainless	PCS	2	5707292141699
17	1101950	Washer Ø6,1-16*1 mm, FZB	PCS	2	5707292140210
18	127385	Micro velcro for seat size 4	PCS	2	5707292801425
19	75088	Spacer f.seat large size 4	PCS	1	5707292506955
20	75083	Spacer f. Seat medium size 4	PCS	1	5707292506948
21	127495	Cover f. LEFT leg abduktion S4	PCS	1	5707292805690
22	127497	Cover f.Right leg abduktion S4	PCS	1	5707292805706
23	5700543	Upholst. abd.leg supp. 4,right	PCS	1	5707292510754
24	5700542	Upholst. abd.leg supp. 4, left	PCS	1	5707292510723
25	5700546	Upholst legsupport size 4 left	PCS	1	5707292510761
26	0603525	Insex low head M8x12 stainless	PCS	2	5707292433749
27	5700547	Upholst legsupport size 4right	PCS	1	5707292510778
28	127511	Cover for LEFT adduktion	PCS	1	5707292804563
29	127513	Cover for Right adduktion	PCS	1	5707292804587
30	75014	Sliding plate 4, right	PCS	1	5707292506788
31	1101050	Spring washer M8, wavy FZB	PCS	12	5707292458667
32	1102000	Planing washer 8mm	PCS	8	5707292140227
33	0603536	Insex lov head M8x30	PCS	4	5707292575326
34	0603537	Insex low head M8x35	PCS	4	5707292575333
35	5800895	Lumbar support.x:panda 4	PCS	1	5707292520869
36	75190	Slide bar 30x15x6 (M8x2)	PCS	2	5707292442246
37	75019-1	coverplate size 4, x-panda	PCS	1	5707292587442
38	0603539	Insex low head M8x50	PCS	2	5707292575357
39	5700516	Upholst. hip support 4, left	PCS	1	5707292510709
40	4913040	30mm adhesive hook, black	MTR	0,21	5707292786517
41	5700517	Upholst. hip support=4, right	PCS	1	5707292510716
42	127485	Cover f. right hip support s.4	PCS	1	5707292805300
43	0661501	Button head w/flange 8x16	PCS	4	5707292139566
44	127483	Cover for Left hip support s.4	PCS	1	5707292805256
45	1103200	Fazet washer 8mm	PCS	6	5707292140296
46	1940003	Eco syn 3,5x12.us head	PCS	2	5707292469984
47	75059	Inside plate for back 4	PCS	1	5707292506924
48	4913040	30mm adhesive hook, black	MTR	0,68	5707292786517
49	1604000	Steel nut 10 mm	PCS	2	5707292141293
50	1603500	Steel nut 8mm, large pack	PCS	2	5707292141286

51	1940041	Eco-syn uh Ø4x12	PCS	2	5707292518316
52	75054	Base plate for back 4	PCS	1	5707292506917
53	0504800	Blind rivet tap 3,2x11	PCS	1	5707292551030
54	0450052	Ball f. Pushbutton	PCS	1	5707292452313
55	0604450	Insex M10x25, black	PCS	2	5707292451569
56	119862	R82 handle ø35*16 M8	PCS	1	5707292771988
57	0640911	Button head M5x10 FZB tufflok	PCS	8	5707292428479
58	75064	Cover for back 4	PCS	1	5707292506931
59	80616	Slidebar 50x15x6,M8,2	PCS	1	5707292476319
60	109284	Bracket for block-o-lift	PCS	1	5707292577351
61	1310711	Nylon washer 15x8,4x1,5mm	PCS	2	5707292429933
62	0530004-1	Cyl. pin Ø8x24 mm.	PCS	1	5707292605085
63	0506509	Rivet 4*10, stainless	PCS	1	5707292472441
64	0631862	Insex uh. 5x12, FZB	PCS	2	5707292352293
65	128192	Profile for back assembly, s 4	PCS	1	5707292789747
66	0603533	Insex M8x20, lav hoved RF	PCS	4	5707292575296
67	128140-4	Gear wheel assembly L size 4	PCS	1	5707292793881
68	0603530	Insex low head M8x16 stainless	PCS	4	5707292412492
69	128141-4	Gear wheel assembly R size 4	PCS	1	5707292793898
70	P-8911350-4	Gasspring for x:panda 4, 350 n	PCS	1	5707292525918
71	75214	Bush Ø10x27-M6	PCS	1	5707292458889
72	0621200-1	Stainless insex 6x12 uh	PCS	2	5707292844026