

CaribouTM

Accessories Exploded views / Part lists

Rev.date (2024-01)

On the following pages you will find the parts used to assemble this product. Please note that some spare parts cannot be purchased individually but are part of a complete kit. Please also note that for some spare parts extra delivery time may occur.



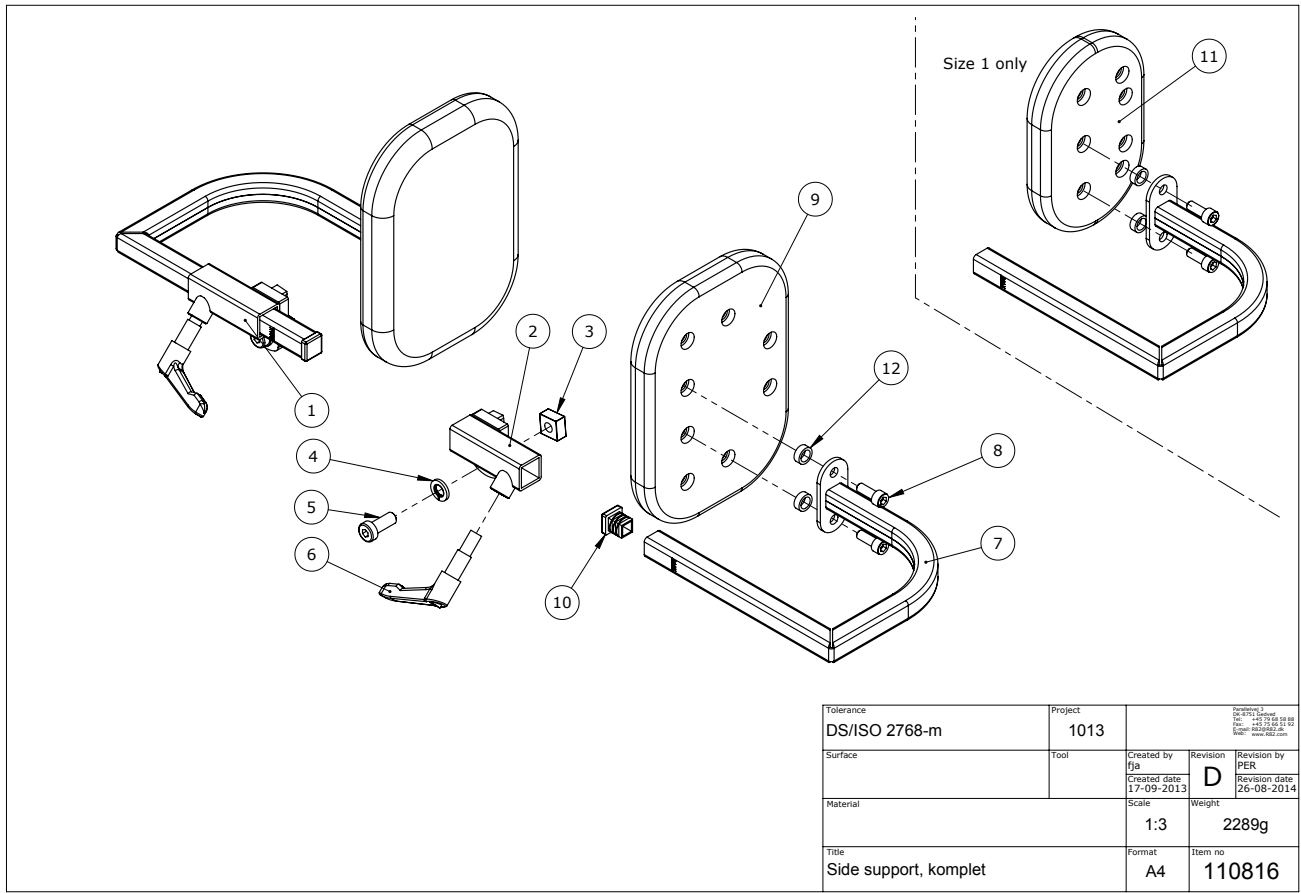
CONTENTS

Side Support - complete set	5
Item numbers for Side Support - complete (861102-1, 861102-2, 861102-3)	5
Side Support - fixed	6
Item numbers for Side Support - fixed (861102-10, 861102-20)	6
Upper Arm supports	7
Item numbers for Upper Arm supports (861109-10, 861109-20)	7
Back Support	8
Item numbers for Back Support (861115-2, 861115-3)	8
Knee Support - fixed	9
Item numbers for Knee Support - fixed (861144-2, 861144-3)	9
Hinged-fixed	10
Item numbers for Hinged - fixed (861144-20, 861144-30)	11
Knee Support - swing away	12
Item numbers for Knee Support - swing away (861154-2, 861154-3)	13
Hinged - swing away	14
Item numbers Hinged - swing away (861154-20, 861154-30)	15
Tray, prone and supine use	16
Item numbers for Tray, prone and supine use (862130-2, 862130-3)	16
Tray, supine use	17
Item numbers for Tray, supine use (862131-1, 862131-2)	17
Armrest	18
Item numbers for Armrest (861131)	18
Toybar (861135)	19
Item numbers for Toybar (861135)	19
Grib handle (8910750)	20
Item numbers for Grib handle (8910750)	20
Helpers handle (861108-U)	21
Item numbers for Helpers handle (861108-U)	21
Chest strap	22
Item numbers for Chest strap (862102-1, 862102-2, 862102-3, 862102-4)	22
Chest strap	23
Item numbers for Chest strap (862101-2, 862101-3, 862101-4)	23

Strap for side supports	24
Item numbers for Strap for side supports (862103-1, 862103-2, 862103-3, 862103-4)	24
Strap for Pommel	25
Item numbers for Strap for Pommel (862104-1, 862104-2)	25
Pommel.....	26
Item numbers for Pommel (861103-1, 861103-2).....	26
Sandal.....	27
Item numbers for sandal (small 869490-RT, medium 869491-RT, large 869492-RT).....	27
Formed foot plate.....	28
Item numbers for Formed foot plate (86149, 86147, 86148).....	28
Heel support.....	29
Item numbers for Heel support (861251, 861252)	29
Shoulder support, set	30
Item numbers for Shoulder support, set (861126-1, 861126-2, 861126-3, 861126-4).....	30
Wedges for side slots.....	31
Item numbers for Wedges for side slots (861107-1, 861107-2, 861107-3).....	31
Adjustment plates for side supports.....	32
Item numbers for Adjustment plates for side supports (861102-PL).....	32
Foam padding w/cover for plastic tray	33
Item numbers for Foam padding w/cover for plastic (862135-0, 862135-1, 862135-2).....	33
Holdes for straight mounting in extra cushions.....	34
Item numbers for Holdes for straight mounting in extra cushions (861106-KIT).....	34
Fix locks	35
Item numbers for Fix locks (862109-35).....	35
Extra cushions.....	36
Item numbers for Extra cushions (861106-1, 861106-2, 861106-3, 861106-4).....	36
Top plate	37
Item numbers for Top plate (861101-1, 861101-2, 861101-3, 861101-4).....	37
Head support plate	38
Item numbers for Head support plate (861116-1, 861116-2)	38
Conversion kit lift-o-mat to telescopic tube.....	39
Item numbers for Conversion kit lift-o-mat to telescopic tube (860113-KIT).....	39
Item numbers for Conversion kit lift-o-mat to telescopic tube (860114-KIT).....	39

Power kit , complete- size 1 & 2.....	40
Item numbers for Power kit , complete (861140)	40
Power kit , complete - size 3 & 4.....	41
Item numbers for Power kit , complete (861150, 861160)	41
Plug	42
Plug 2222165.....	42
Plug 2222166.....	42
Plug 2222167	42
Plug 2222169.....	42
Batteries	43
Batteries (set) 2222012	43

Side Support - complete set

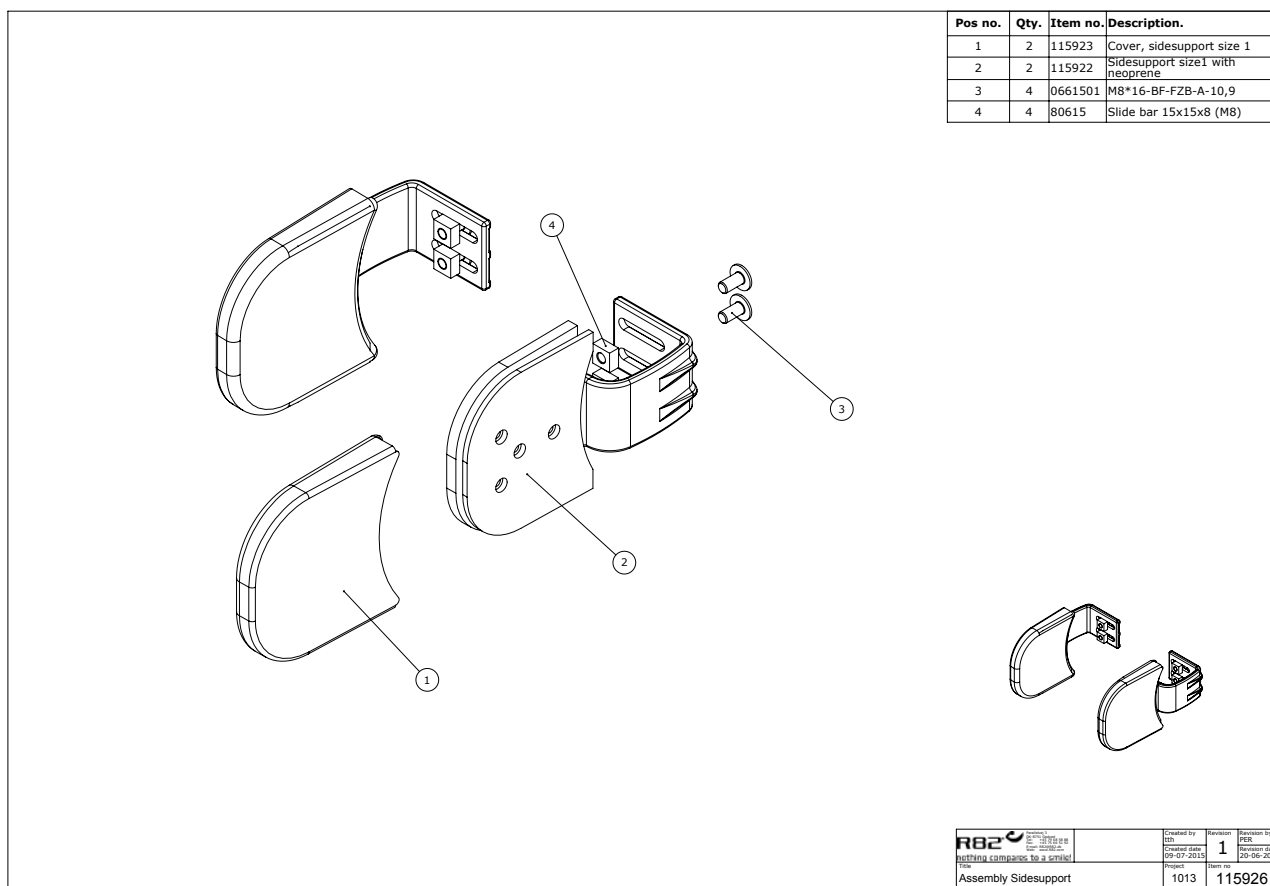


Item numbers for Side Support - complete (861102-1, 861102-2, 861102-3)

Position	Art nr.	Description	Unit of measure	Quantity	Ean kode
1	102041	Holder for side support, left	PCS	1	5707292560698
2	102221	Holder for side support, right	PCS	1	5707292560704
3	80615	Slidebar 15x15x8, M8	PCS	2	5707292437600
4	1100500	Spring washer 8mm, stainless	PCS	2	5707292140142
5	0603534	Insex low head M8x20	PCS	2	5707292575302
6	3502516	Tightening handle 45mm M8x16	PCS	2	5707292146915
7*	102227	Side support welded, size 3	PCS	2	5707292560780
	102226	Side support welded, size 2	PCS	2	5707292560773
	102225	Side support welded, size 1	PCS	2	5707292560766
8	0602200	Insex screw 6x16	PCS	4	5707292138095
9	110813	Pur side support size 2	PCS	2	5707292581716
10	2504001	Ferrule 15x15x1-2 int.black	PCS	2	5707292561343
11	110822	Pur side support size 1	PCS	2	5707292581709
12	1310539	Distance piece 12/8,4x5mm	PCS	4	5707292423474

*choose size/color

Side Support - fixed

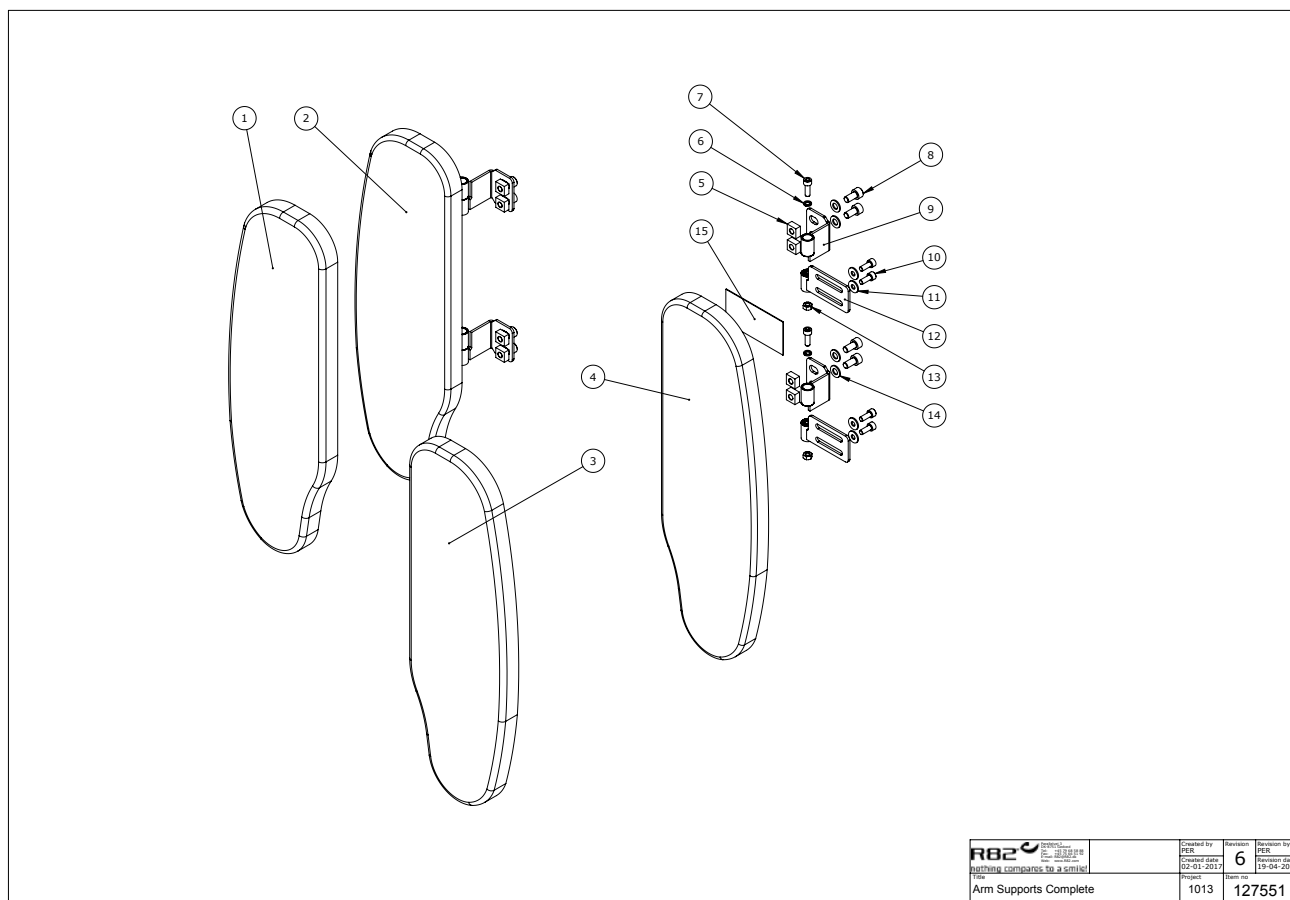


Item numbers for Side Support - fixed (861102-10, 861102-20)

Position	Art nr.	Description	Unit of measure	Quantity	Ean kode
1*	115923	Cover for side support size 1 (right +left)	PCS	2	5707292806079
	115924	Cover for side support size 2	PCS	2	5707292806109
2*	115922	Sidesupport size 1 w. neoprene	PCS	2	5707292806062
	115925	Sidesupport size 2 w. neoprene	PCS	2	5707292805928
3	0661501	Button head w/flange 8x16	PCS	4	5707292139566
4*	80615	Slidebar 15x15x8, M8	PCS	4	5707292437600
	115899	Distance spacer for sidesup.	PCS	2	5707292794277

*choose size/color

Upper Arm supports

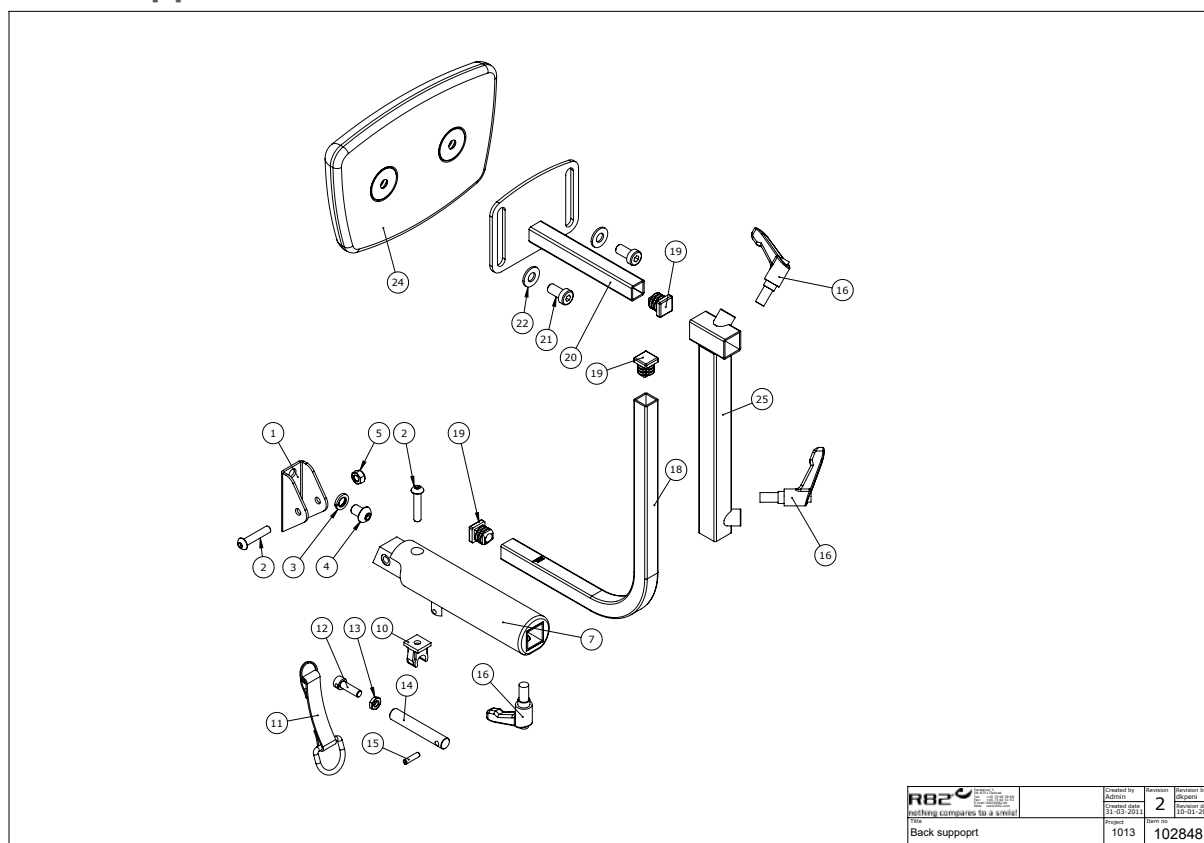



	Created by	Revision
	PER	6
	Created date	Revision date
02-01-2012	19-04-2018	
	Project	Part no.
1013	127551	
Arm Supports Complete		

Item numbers for Upper Arm supports (861109-10, 861109-20)

Position	Art nr.	Description	Unit of measure	Quantity	Ean kode
1*	127569	Arm support cover size 1 right	PCS	1	5707292785459
	127572	Arm support cover size 2 right	PCS	1	5707292785534
2*	127313	Arm Support w. padding, size 1 R	PCS	1	5707292785343
	127316	Arm Support w. padding, size 2 R	PCS	1	5707292785480
3*	127568	Arm support cover size 1 left	PCS	1	5707292785466
	127571	Arm support cover size 2 left	PCS	1	5707292785510
4*	127315	Arm Support w. padding, size 1 L	PCS	1	5707292785350
	127320	Arm Support w. padding, size 2 L	PCS	1	5707292785503
5	80615	Slidebar 15x15x8, M8	PCS	8	5707292437600
6	1100900	Spring washer M6 fzb, 6.1/9.9	PCS	4	5707292459336
7	0602207	Insex M6x18, stainless	PCS	4	5707292430380
8	0603530	Insex low head M8x16 stainless	PCS	8	5707292412492
9	127353	Bracket welded f. armsupport	PCS	4	5707292785367
10	0602200	Insex screw 6x16	PCS	8	5707292138095
11	1106025	Washer M6 o16/o6,4x1,6	PCS	8	5707292404664
12	117067	Joint f. upper arm sup. right	PCS	4	5707292613813
13	1603000	Steel nut 6 mm	PCS	4	5707292141279
14	1103200	Fazet washer 8x16x1,5mm, FZB	PCS	8	5707292140296
15	3936025	Black Peri skai	MTR	0,06	5707292549679
*choose size/color					

Back Support



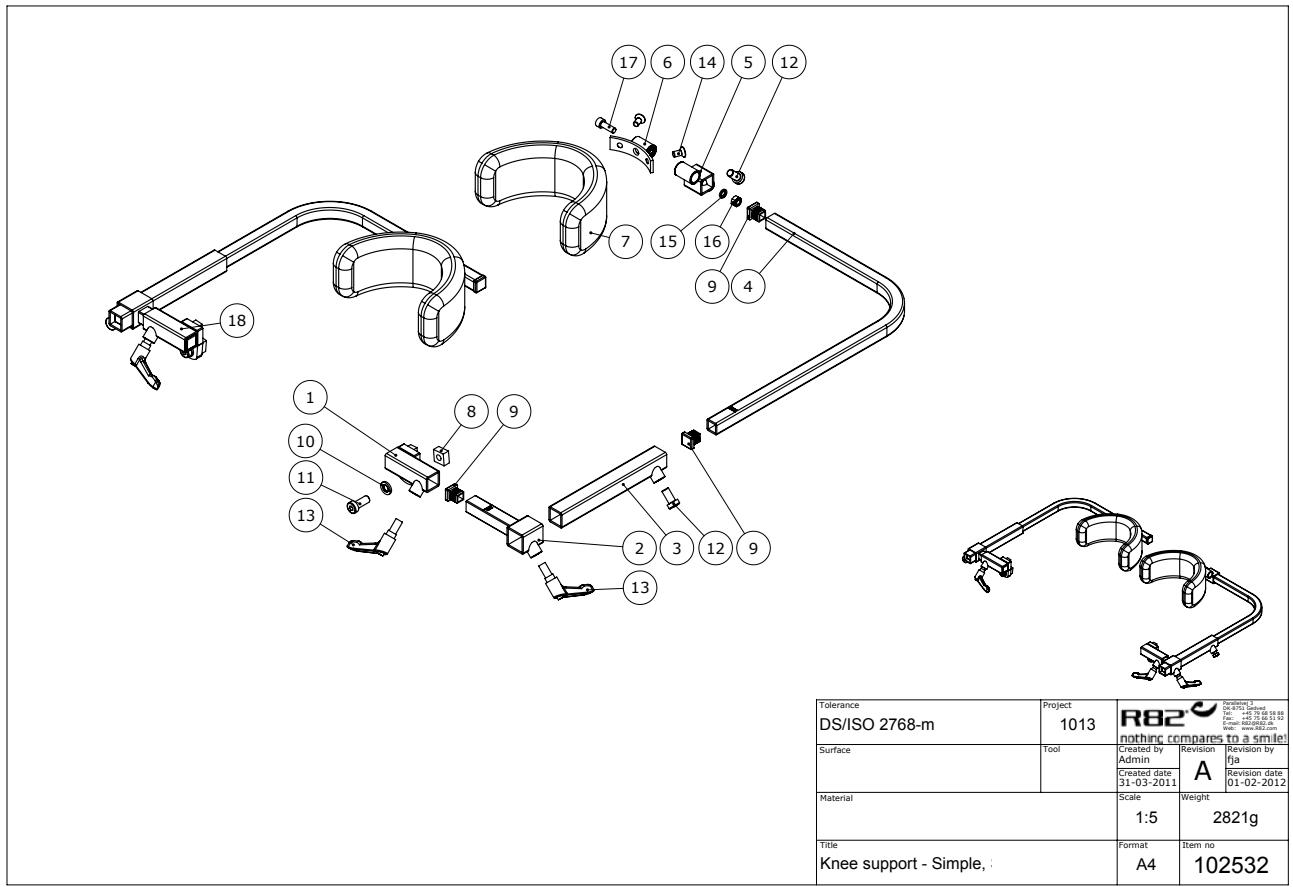
 <small> R82 A/S Parallelvej 3 8751 Gedved Denmark </small>	<small> Created by JYBA </small>	<small> Version 2 </small>	<small> Revision by JYBA </small>
	<small> Checked by JYBA </small>	<small> Date 10-01-2014 </small>	<small> Date 10-01-2014 </small>
<small> Project Back support </small>	<small> 1013 </small>	<small> 102848 </small>	

Item numbers for Back Support (861115-2, 861115-3)

Position	Art nr.	Description	Unit of measure	Quantity	Ean kode
1	102834	Support bracket, Welded	PCS	1	5707292563705
2	0659580	Button head screw 6x30 mm	PCS	2	5707292139481
3	1100500	Spring washer 8mm, stainless	PCS	1	5707292140142
4	0661200	Button head screw 8x12 stainl.	PCS	1	5707292139542
5	1631060	Stainless lock nut 6mm	PCS	1	5707292141446
7	82145-1	Seat rod with pur	PCS	1	5707292564641
10	2521000	pipe holder ø 10 mm, white	PCS	1	5707292144362
11	5001051	Girthband for buttoom release	PCS	1	5707292154422
12	102850	Socket head bolt	PCS	1	5707292563804
13	1750600	Lock nut, stainless M6	PCS	1	5707292141477
14	6117600	Axle Ø10x61, Gazelle	PCS	1	5707292186515
15	0541600	Tightening sprig 4x16	PCS	1	5707292137616
16	3502516	Tightening handle 45mm M8x16	PCS	3	5707292146915
18*	113562	Bend tube, size 1	PCS	1	5707292601421
	113563	Bend tube, size 2	PCS	1	5707292601445
19	2504001	Ferrule 15x15x1-2 int.black	PCS	3	5707292561343
20	102847	Support bracket, Welded	PCS	1	5707292563811
21	0603530	Insex lav hoved M8x16	PCS	2	5707292412492
22	1102010	Face plate 8,4x18x2mm, FZB	PCS	2	5707292429766
24*	72850	Back support size 1	PCS	1	5707292423023
	5038100	Back support size 2	PCS	1	5707292553386
25*	113560	Height adjustment rod, size 1	PCS	1	5707292601308
	113561	Height adjustment rod, size 2	PCS	1	5707292601292

*choose size/color

Knee Support - fixed



Item numbers for Knee Support - fixed (861144-2, 861144-3)

Position	Art nr.	Description	Unit of measure	Quantity	Ean code
1	102221	Holder for side support, right	PCS	1	5707292560704
2	102545	Cross extender	PCS	2	5707292562609
3	82223	Extension rod for kneesupport	PCS	2	5707292122674
4*	102546	Bended tube, size 1	PCS	2	5707292562616
	102547	Bended tube, size 2	PCS	2	5707292562661
5	102550	Angle adjustment	PCS	2	5707292562630
6	102555	Knee support bracket	PCS	2	5707292562647
7*	6175161	Kneesupport size 1 Panda	PCS	2	5707292189288
	6175162	Kneesupport size 2 Panda	PCS	2	5707292189295
8	80615	Slidebar 15x15x8, M8	PCS	2	5707292437600
9	2504001	Ferrule 15x15x1-2 int.black	PCS	6	5707292561343
10	1100500	Spring washer 8mm, stainless	PCS	2	5707292140142
11	0603534	Insex low head M8x20	PCS	2	5707292575302
12	0603530	Insex low head M8x16 stainless	PCS	4	5707292412492
13	3502516	Tightening handle 45mm M8x16	PCS	4	5707292146915
14	0631862	Insex uh. 5x12, FZB	PCS	4	5707292352293
15	1100900	Spring washer M6 fzb, 6.1/9.9	PCS	2	5707292459336
16	1606500	Lock nut 6 mm	PCS	2	5707292141361
17	0602202	Insex M6x18, FZB	PCS	2	5707292459343
18	102041	Holder for side support, left	PCS	1	5707292560698

*choose size/color

Hinged-fixed

Tolerance	Project	Revision	Revision by	Revision date
DS/ISO 2768-m	1013	B	PER	30-01-2013
Surface	Tool	Created date	Created by	Created date
		31-03-2011		30-01-2013
Material	Scale	Weight	Item no	
	1:4	2359g		
Title	Format	Item no		
Knee support - Adv. ;	A4	103008		

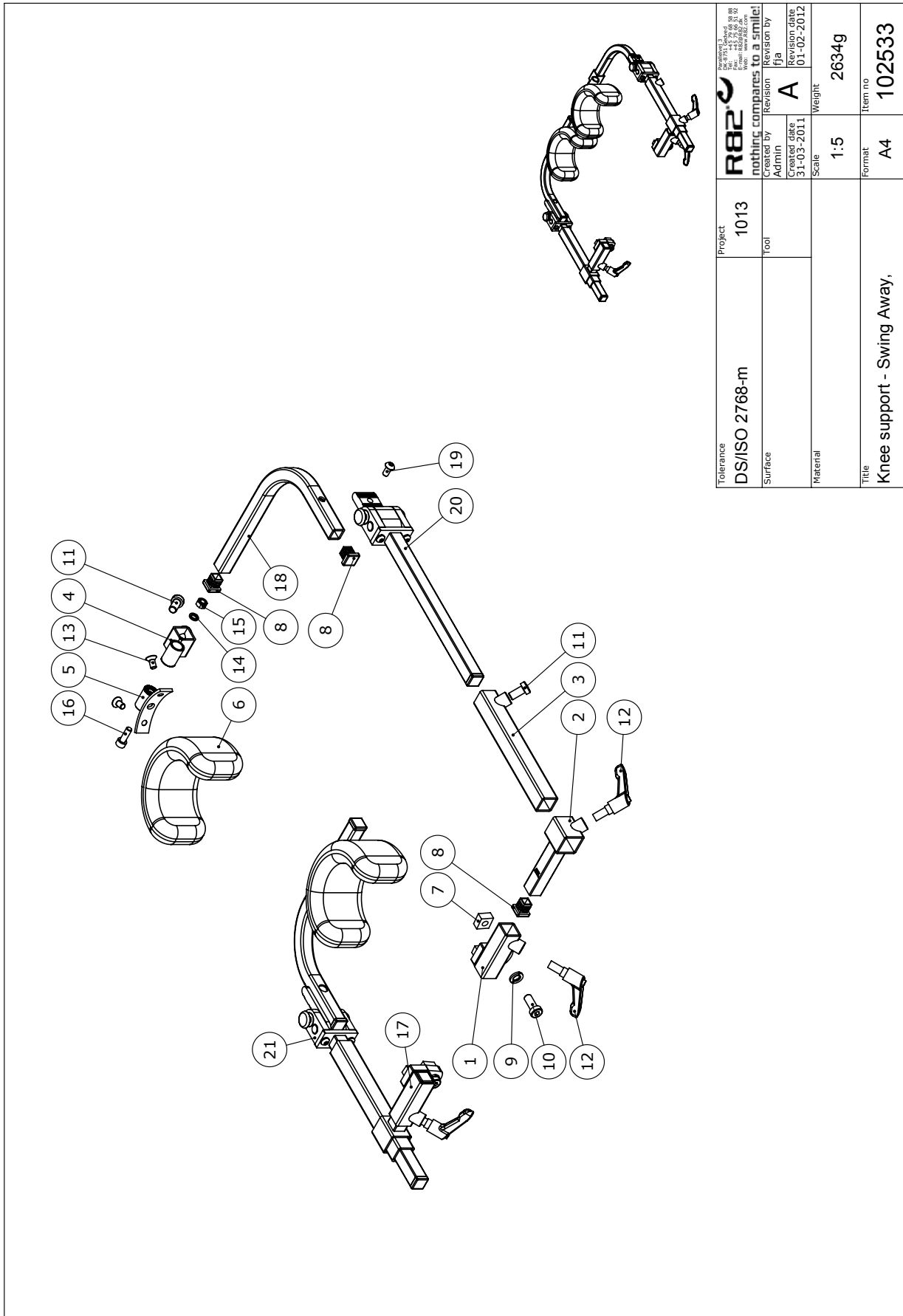
C:\EPDM\Projects\1013\Knee support\103008

Item numbers for Hinged - fixed (861144-20, 861144-30)

Position	Art nr.	Description	Unit of measure	Quantity	Ean kode
1	102221	Holder for side support, right	PCS	1	5707292560704
2	102545	Cross extender	PCS	2	5707292562609
3	82223	Extension rod for kneesupport	PCS	2	5707292122674
4	102546	Bended tube, size 1	PCS	2	5707292562616
4	102547	Bended tube, size 2	PCS	2	5707292562661
5	102550	Angle adjustment	PCS	2	5707292562630
8	80615	Slidebar 15x15x8, M8	PCS	2	5707292437600
9	2504001	Ferrule 15x15x1-2 int.black	PCS	6	5707292561343
10	1100500	Spring washer 8mm, stainless	PCS	4	5707292140142
11	0603534	Insex low head M8x20	PCS	2	5707292575302
12	0603530	Insex low head M8x16 stainless	PCS	4	5707292412492
13	3502516	Tightening handle 45mm M8x16	PCS	4	5707292146915
15	1100900	Spring washer M6 fzb, 6.1/9.9	PCS	2	5707292459336
16	1606500	Lock nut 6 mm	PCS	2	5707292141361
17	0602202	Insex M6x18, FZB	PCS	2	5707292459343
18	102041	Holder for side support, left	PCS	1	5707292560698
19	0603537	Insex low head M8x35	PCS	2	5707292575333
20	102987	Adaptor, right	PCS	1	5707292564597
21	102988	Adaptor, Left	PCS	1	5707292564610
22	74062	Toothed disk 30x14	PCS	2	5707292377951
23	0640907	Button head with flange M8x10	PCS	4	5707292441119
24*	72752-1	Outer knee support size 1	PCS	2	5707292506580
	72754-1	Outer knee support size 2	PCS	2	5707292506603
25*	72751-1	Inner Knee support size 1	PCS	2	5707292506573
	72753-1	Inner Knee support size 2	PCS	2	5707292506597

*choose size/color

Knee Support - swing away



Tolerance	DS/ISO 2768-m	Project	1013	Revision 3 R82 A/S Parallelvej 3 8751 Gedved Denmark Tel: +45 79 68 58 88 Fax: +45 75 66 51 92 E-mail: R82@etac.dk Web: etac.com	
Surface		Tool		nothing compares to a smile!	R82
Material		Created by	Admin	Revision	fja
		Created date	31-03-2011	Revision date	01-02-2012
		Scale	1:5	Weight	2634g
Title	Knee support - Swing Away,		Format	A4	Item no
					102533

C:\EPDM\Projects\1013\Knee support\102533

Item numbers for Knee Support - swing away (861154-2, 861154-3)

Position	Art nr.	Description	Unit of measure	Quantity	Ean kode
1	102221	Holder for side support, right	PCS	1	5707292560704
2	102545	Cross extender	PCS	2	5707292562609
3	82223	Extension rod for kneesupport	PCS	2	5707292122674
4	102550	Angle adjustment	PCS	2	5707292562630
5	102555	Knee support bracket	PCS	2	5707292562647
6*	6175161	Kneesupport size 1 Panda	PCS	2	5707292189288
	6175162	Kneesupport size 2 Panda	PCS	2	5707292189295
7	80615	Slidebar 15x15x8, M8	PCS	2	5707292437600
8	2504001	Ferrule 15x15x1-2 int.black	PCS	6	5707292561343
9	1100500	Spring washer 8mm, stainless	PCS	2	5707292140142
10	0603534	Insex low head M8x20	PCS	2	5707292575302
11	0603530	Insex low head M8x16 stainless	PCS	4	5707292412492
12	3502516	Tightening handle 45mm M8x16	PCS	4	5707292146915
13	0631862	Insex uh. 5x12, FZB	PCS	4	5707292352293
14	1100900	Spring washer M6 fzb, 6.1/9.9	PCS	2	5707292459336
15	1606500	Lock nut 6 mm	PCS	2	5707292141361
16	0602202	Insex M6x18, FZB	PCS	2	5707292459343
17	102041	Holder for side support, left	PCS	1	5707292560698
18*	102564	Bended tube welded, size 1	PCS	2	5707292562753
	102565	Bended tube welded, size 2	PCS	2	5707292562760
19	0659200	Button head screw 6x12 stainl.	PCS	2	5707292139436
20	102580	Swing away, right	PCS	1	5707292562937
21	102581	Swing away, left	PCS	1	5707292562944
* choose size/color					

Hinged - swing away

Tolerance DS/ISO 2768-m	Project 1013	R82 nothing compares to a smile! Created by Admin 31-03-2011	Revision by Jja A 26-03-2012
Surface	Tool	created date 31-03-2011	Weight 2801g
Material	Scale 1:5	Item no 103010	Format A4
Title Knee support - Adv-SwingAway			

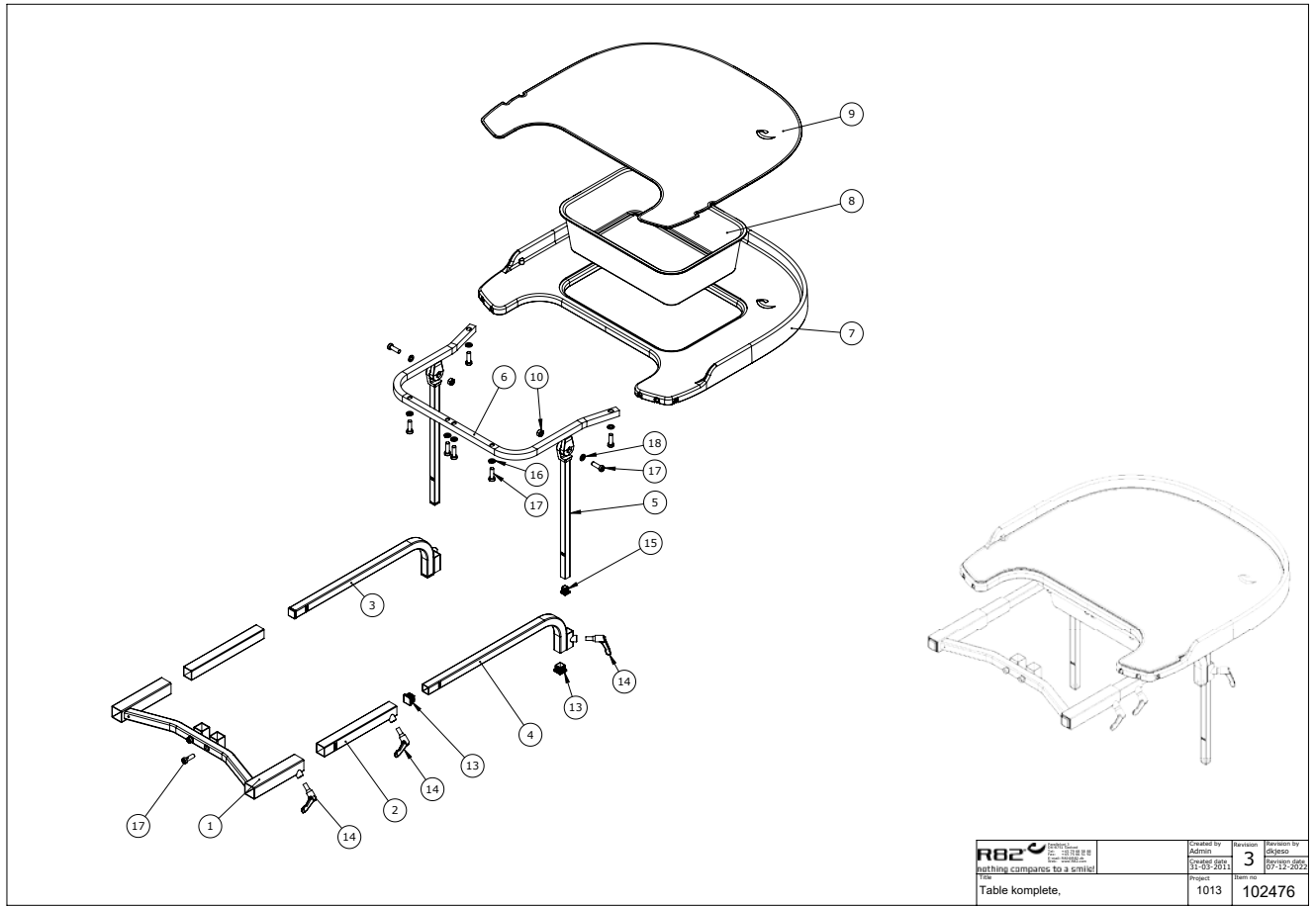
C:\EPDM\Projects\1013\Knee support\103010

Item numbers Hinged - swing away (861154-20, 861154-30)

Position	Art nr.	Description	Unit of measure	Quantity	Ean kode
1	102221	Holder for side support, right	PCS	1	5707292560704
2	102545	Cross extender	PCS	2	5707292562609
3	82223	Extension rod for kneesupport	PCS	2	5707292122674
5	102550	Angle adjustment	PCS	2	5707292562630
6	102988	Adaptor, Left	PCS	1	5707292564610
7	80615	Slidebar 15x15x8, M8	PCS	2	5707292437600
8	2504001	Ferrule 15x15x1-2 int.black	PCS	6	5707292561343
9	1100500	Spring washer 8mm, stainless	PCS	4	5707292140142
10	0603534	Insex low head M8x20	PCS	2	5707292575302
11	0603530	Insex low head M8x16 stainless	PCS	2	5707292412492
12	3502516	Tightening handle 45mm M8x16	PCS	4	5707292146915
13	0603530	Insex low head M8x16 stainless	PCS	2	5707292412492
14	102581	Swing away, left	PCS	1	5707292562944
15	1100900	Spring washer M6 fzb, 6.1/9.9	PCS	2	5707292459336
16	1606500	Lock nut 6 mm	PCS	2	5707292141361
17	0602202	Insex M6x18, FZB	PCS	2	5707292459343
18*	102564	Bended tube welded, size 1	PCS	2	5707292562753
	102565	Bended tube welded, size 2	PCS	2	5707292562760
19	0659200	Button head screw 6x12 stainl.	PCS	2	5707292139436
20	102580	Swing away, right	PCS	1	5707292562937
21	102987	Adaptor, right	PCS	1	5707292564597
22	74062	Toothed disk 30x14	PCS	2	5707292377951
23	0640907	Button head with flange M8x10	PCS	4	5707292441119
24*	72752-1	Outer knee support size 1	PCS	2	5707292506580
	72754-1	Outer knee support size 2	PCS	2	5707292506603
25*	72751-1	Inner Knee support size 1	PCS	2	5707292506573
	72753-1	Inner Knee support size 2	PCS	2	5707292506597
26	102041	Holder for side support, left	PCS	1	5707292560698
27	0603537	Insex low head M8x35	PCS	2	5707292575333

*choose size/color

Tray, prone and supine use

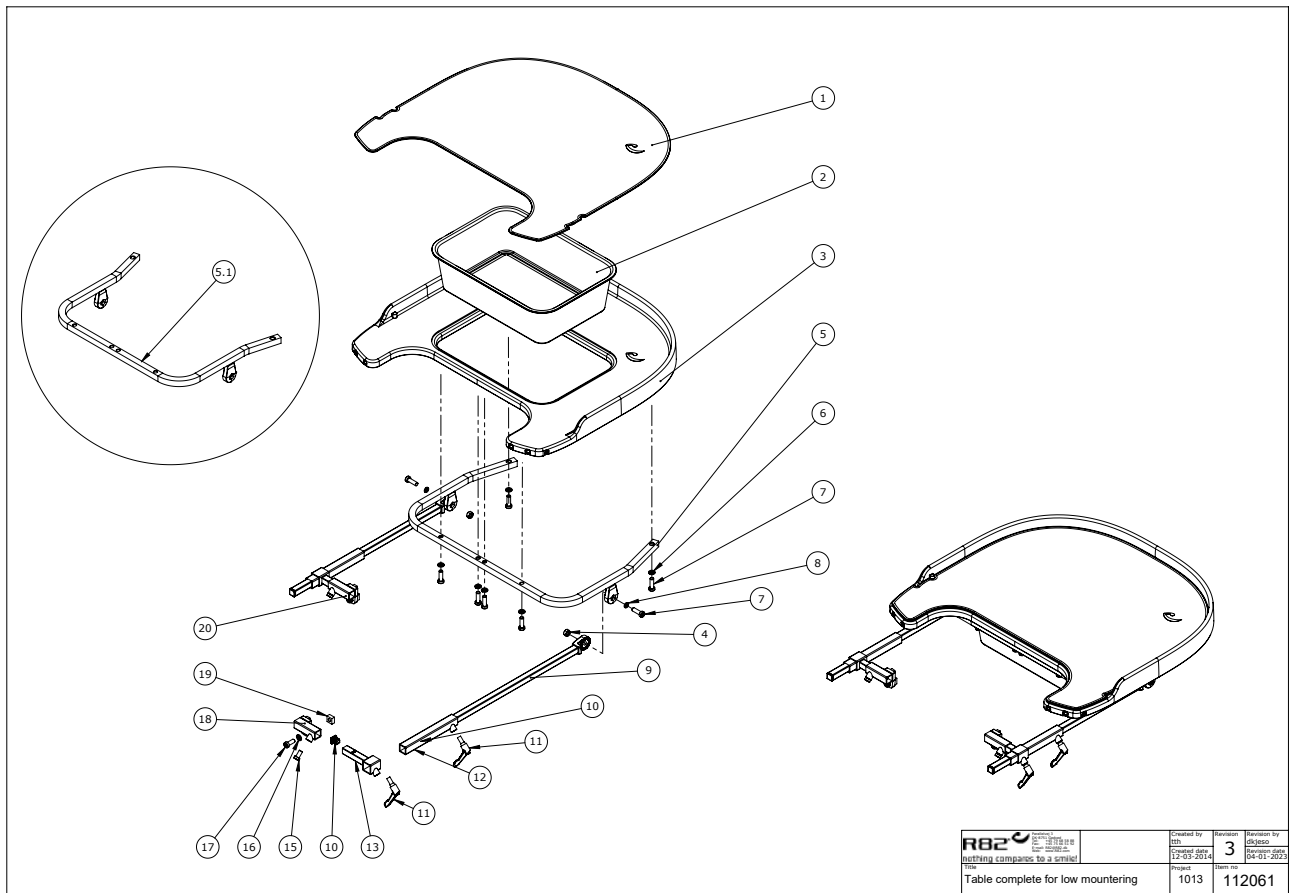


Item numbers for Tray, prone and supine use (862130-2, 862130-3)

Position	Art nr.	Description	Unit of measure	Quantity	Ean kode
1*	102478	Cross bar welded, size 1+2	PCS	1	5707292562326
	102479	Cross bar welded, size 3+4	PCS	1	5707292562432
2	102486	Extender welded	PCS	2	5707292562371
3	102488	Bend tube welded left	PCS	1	5707292562395
4	102489	Bend tube welded right	PCS	1	5707292562425
5	75319	Rod for footrest size 2, 34 cm	PCS	2	5707292477804
6	75418	Handle rod for table	PCS	1	5707292507334
7	5075400	Table, plast	PCS	1	5707292518675
8	75402	Tub for table	PCS	1	5707292505965
9	75401	Table cover	PCS	1	5707292505934
10	1605001	M8-1,25 stainless steel	PCS	2	5707292412454
13	2504502	Wear 20x20x0,8-3 black	PCS	4	5707292582591
14	5001022	Bag with 6 grips buffalo tray	PCS	1	5707292385079
14	3502516	Tightening handle 45mm M8x16	PCS	6	5707292146915
15	2504001	Ferrule 15x15x1-2 int.black	PCS	2	5707292561343
16	1100500	Spring washer 8mm, stainless	PCS	6	5707292140142
17	0603535	Insex low head M8x25	PCS	10	5707292575319
18	1100495	Spring washer M8	PCS	2	5707292458674

* choose size/color

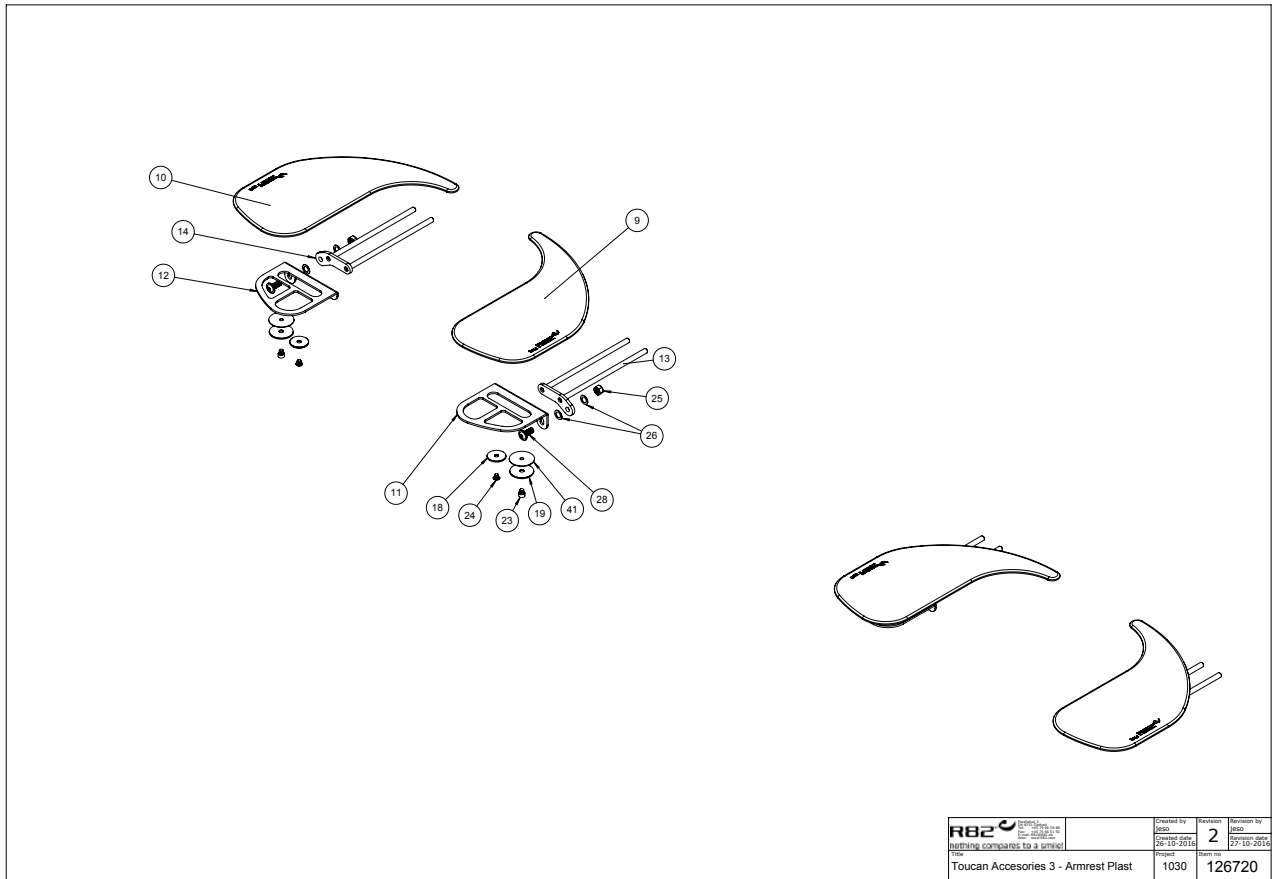
Tray, supine use



Item numbers for Tray, supine use (862131-1,862131-2)

Position	Art nr.	Description	Unit of measure	Quantity	Ean kode
1	75401	Table cover	PCS	1	5707292505934
2	75402	Tub for table	PCS	1	5707292505965
3	5075400	Table, plast	PCS	1	5707292518675
4	1605001	M8-1,25 stainless steel	PCS	2	5707292412454
5	75417	Wheel handle for table- for size 2	PCS	1	5707292507327
5.1	75418	Handle rod for table- for size 1	PCS	1	5707292507334
6	1100500	Spring washer 8mm, stainless	PCS	6	5707292140142
7	0603535	Insex low head M8x25	PCS	8	5707292575319
8	1100495	Spring washer M8	PCS	2	5707292458674
9	75319	Rod for footrest size 2, 34 cm	PCS	2	5707292477804
10	2504001	Ferrule 15x15x1-2 int.black	PCS	4	5707292561343
11	3502516	Tightening handle 45mm M8x16	PCS	4	5707292146915
12	82223	Extension rod for kneesupport	PCS	2	5707292122674
13	102545	Cross extender	PCS	2	5707292562609
15	0603530	Insex low head M8x16 stainless	PCS	2	5707292412492
16	1100500	Spring washer 8mm, stainless	PCS	2	5707292140142
17	0603534	Insex low head M8x20	PCS	2	5707292575302
18	102221	Holder for side support, right	PCS	1	5707292560704
19	80615	Slidebar 15x15x8, M8	PCS	2	5707292437600
20	102041	Holder for side support, left	PCS	1	5707292560698

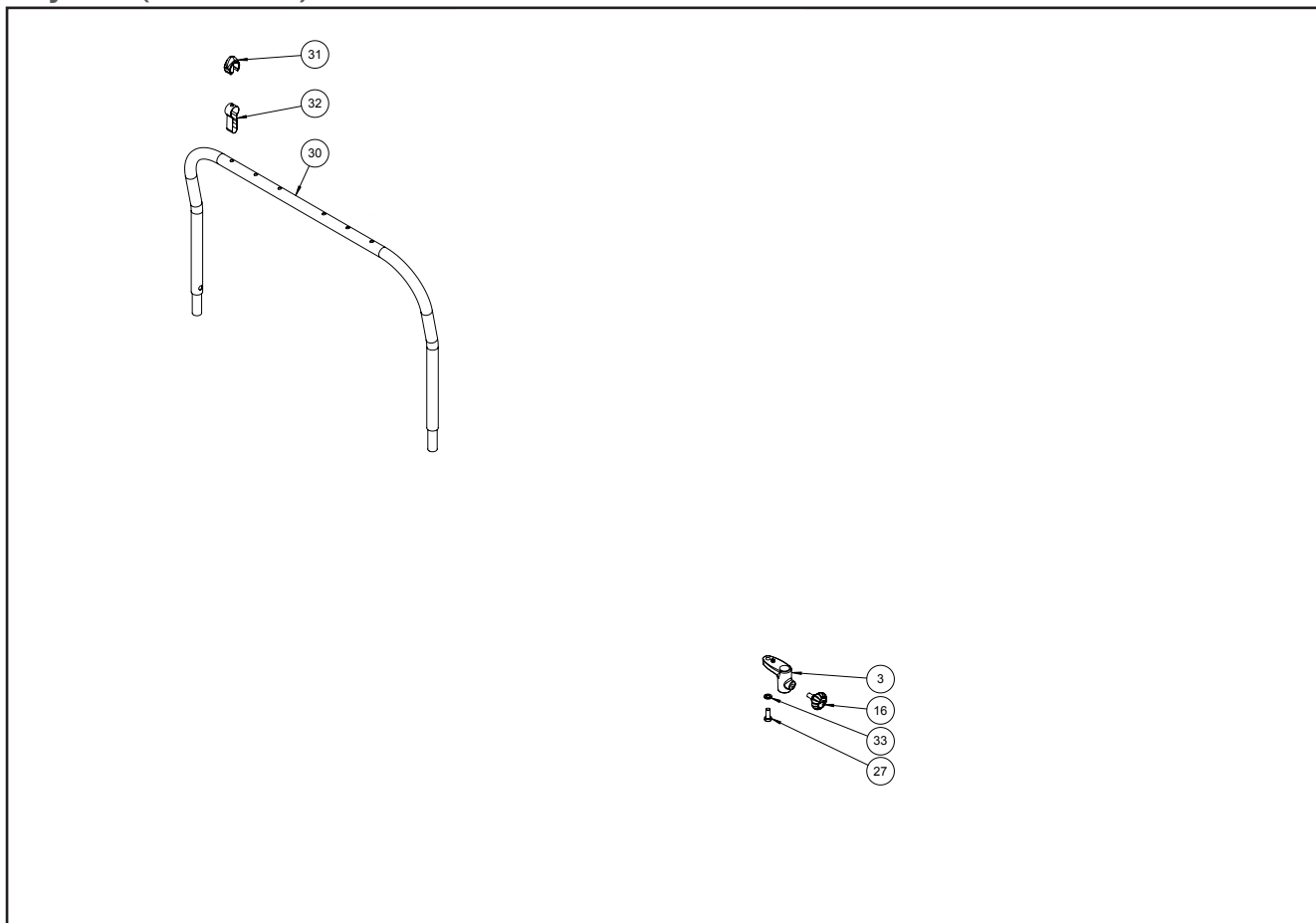
Armrest



Item numbers for Armrest (861131)

Position	Art nr.	Description	Unit of measure	Quantity	Ean kode
9	75409	Arm support right	PCS	1	5707292506023
10	75410	Arm support left	PCS	1	5707292506030
11	75434	Slide bracket right arm suport	PCS	1	5707292542649
12	75449	Slide bracket left arm support	PCS	1	5707292542656
13	75421	Slide bracket right	PCS	1	5707292507372
14	75422	Slide bracket left	PCS	1	5707292507389
18	1102770	Protective disc	PCS	2	5707292518507
19	1102760	Protective disc	PCS	2	5707292518477
23	0602479	Insex M6x8, stainless	PCS	2	5707292465412
24	0631960	Button head screw 6x6 black	PCS	2	5707292139214
25	1607000	Lock nut 8mm, large pack	PCS	2	5707292141378
26	1310645	Washer, nature Ø16x8x0,5mm	PCS	4	5707292446015
28	0661800	Button head w/flange 8x20	PCS	2	5707292408075

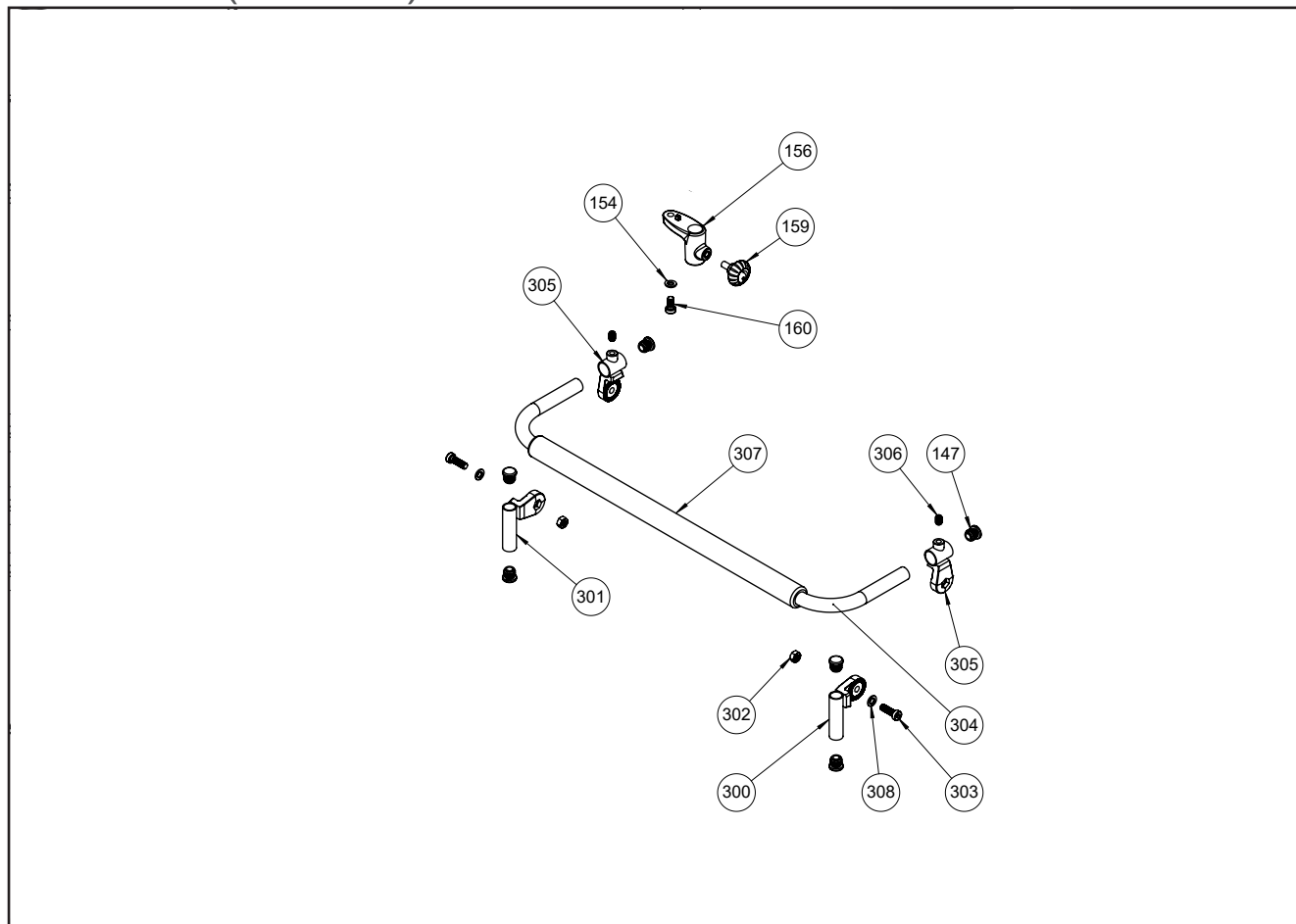
Toybar (861135)



Item numbers for Toybar (861135)

Position	Art nr.	Description	Unit of measure	Quantity	Ean kode
3	75363	Holder for activity pipe	PCS	2	5707292456328
16	3503001	R82 handle M8x15mm screw	PCS	2	5707292413925
27	0603534	Insex low head M8x20	PCS	2	5707292575302
30	75446	Aktiviti pipe	PCS	1	5707292518958
31	73819	Safety pin	PCS	2	5707292441447
32	5505015	Strap for toy bar	PCS	2	5707292470171
33	1100495	Spring washer M8	PCS	2	5707292458674

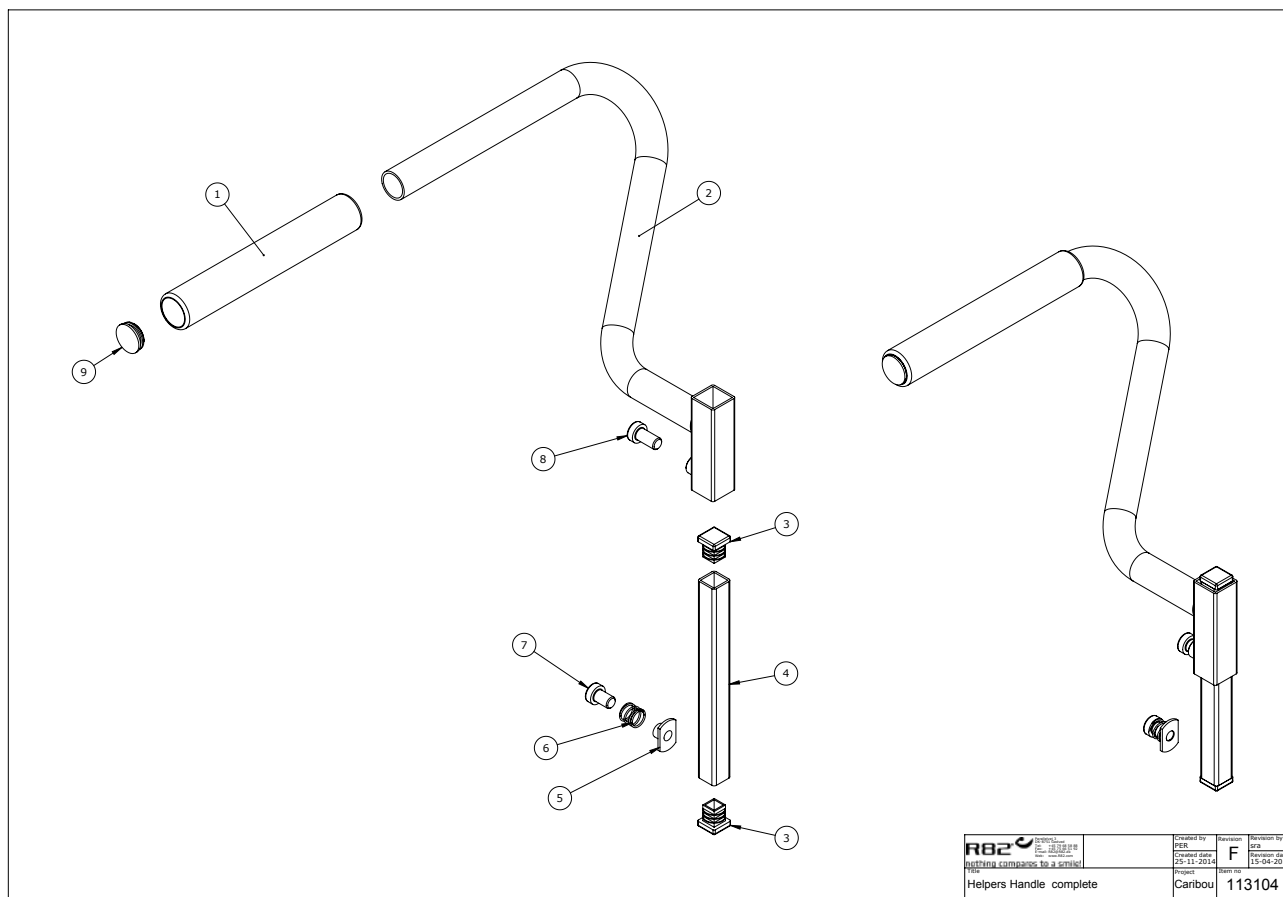
Grib handle (8910750)



Item numbers for Grib handle (8910750)

Position	Art nr.	Description	Unit of measure	Quantity	Ean kode
147	2502002	Ferrule d18x0,8-2,5 black	PCS	6	5707292433947
154	1100495	Spring washer M8	PCS	2	5707292458674
156	75363	Holder for activity pipe	PCS	2	5707292456328
159	3503001	R82 handle M8x15mm screw	PCS	2	5707292413925
160	0603534	Insex low head M8x20	PCS	2	5707292575302
300	75861	Joint part-table-right	PCS	1	5707292480583
301	75860	Joint part-table-left	PCS	1	5707292480576
302	1631080	Stainless lock nut 8mm	PCS	2	5707292141453
303	0603535	Insex low head M8x25	PCS	2	5707292575319
304	75857	Pipe for brace on tray	PCS	1	5707292480521
305	75859	Joint-rail-right/left	PCS	2	5707292480552
306	0603530	Insex low head M8x16 stainless	PCS	2	5707292412492
308	1100495	Spring washer M8	PCS	2	5707292458674

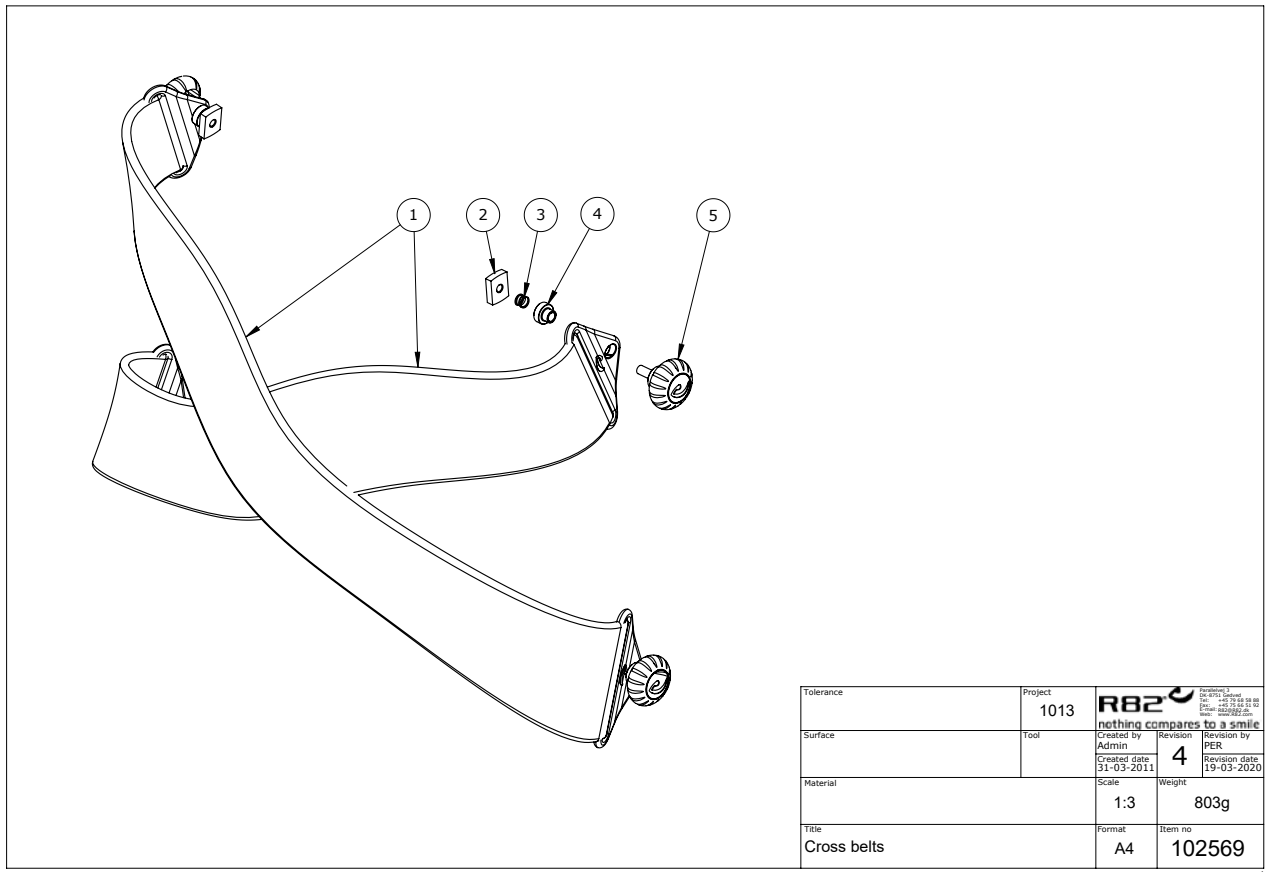
Helpers handle (861108-U)



Item numbers for Helpers handle (861108-U)

Position	Art nr.	Description	Unit of measure	Quantity	Ean kode
1	114058	Cover f. handle 155 mm	PCS	1	5707292603562
2	113102-01	Handle f. helper, welded	PCS	1	5707292599667
3	2504001	Ferrule 15x15x1-2 int.black	PCS	2	5707292561343
4	81155	Rod for backextension	PCS	1	5707292112781
5	1600521	Welding nut M8 w/flange	PCS	1	5707292360106
6	0301006	Spring 1x10x10 mm stainless	PCS	1	5707292542229
7	0603525	Insex low head M8x12 stainless	PCS	1	5707292433749
8	0603530	Insex low head M8x16 stainless	PCS	1	5707292412492
9	2502500	Ferrule d20x1,0-2,0 int.black	PCS	1	5707292144027

Chest strap

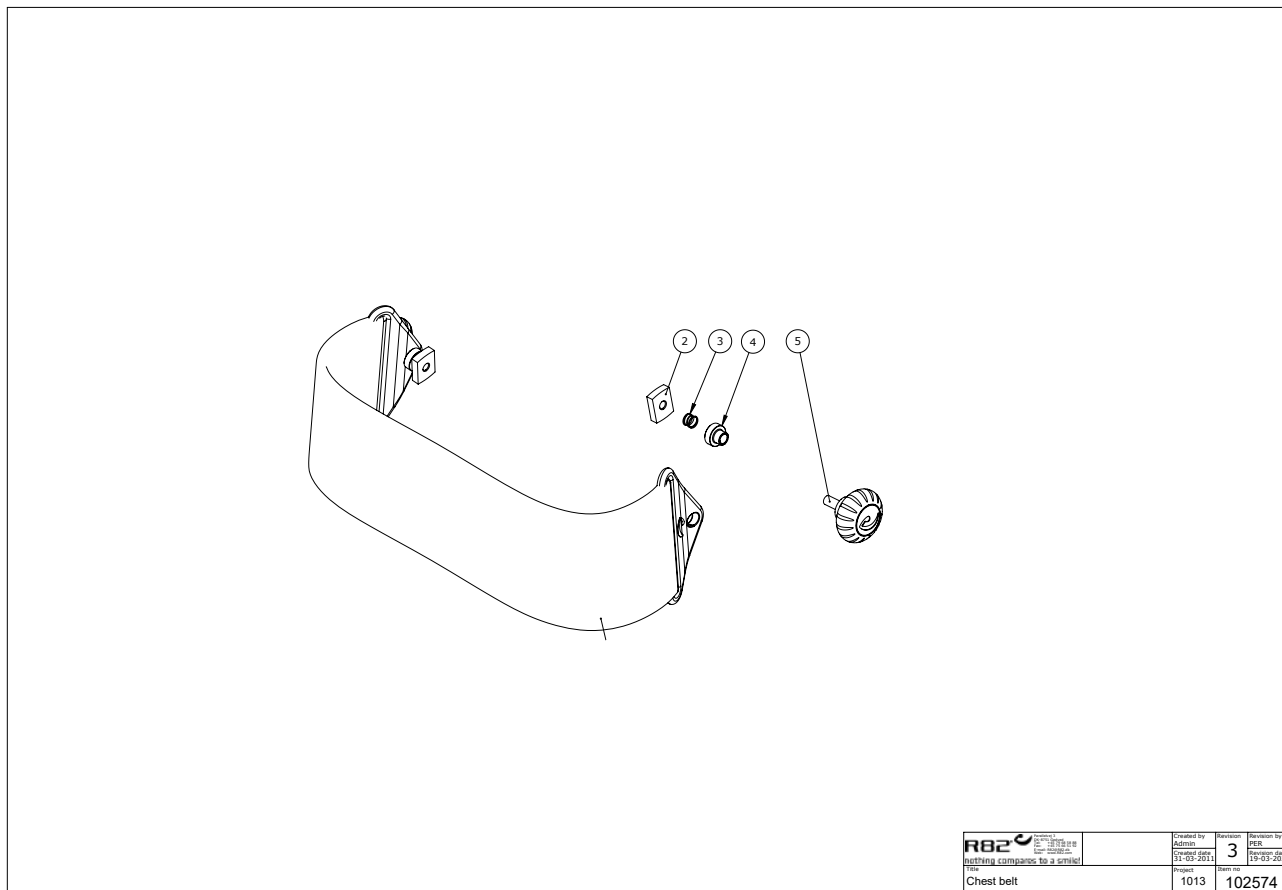


Item numbers for Chest strap (862102-1, 862102-2, 862102-3, 862102-4)

Position	Art nr.	Description	Quantity	Unit of measure	Ean kode
1*	5525201	Cross straps size 1	2	PCS	5707292550446
	5525202	Cross straps size 2	2	PCS	5707292550453
	5525203	Cross straps size 3	2	PCS	5707292550460
	5525204	Cross straps size 4	2	PCS	5707292550477
2	74090	Mounting for frontfork	2	PCS	5707292374066
3	0308710	Rf. Spring 0.5x8x10mmx4v	2	PCS	5707292135483
4	84608	Buckle bushing	2	PCS	5707292548085
5	3501401	R82 handle M6x20mm screw	2	PCS	5707292413901

*Choose size/color

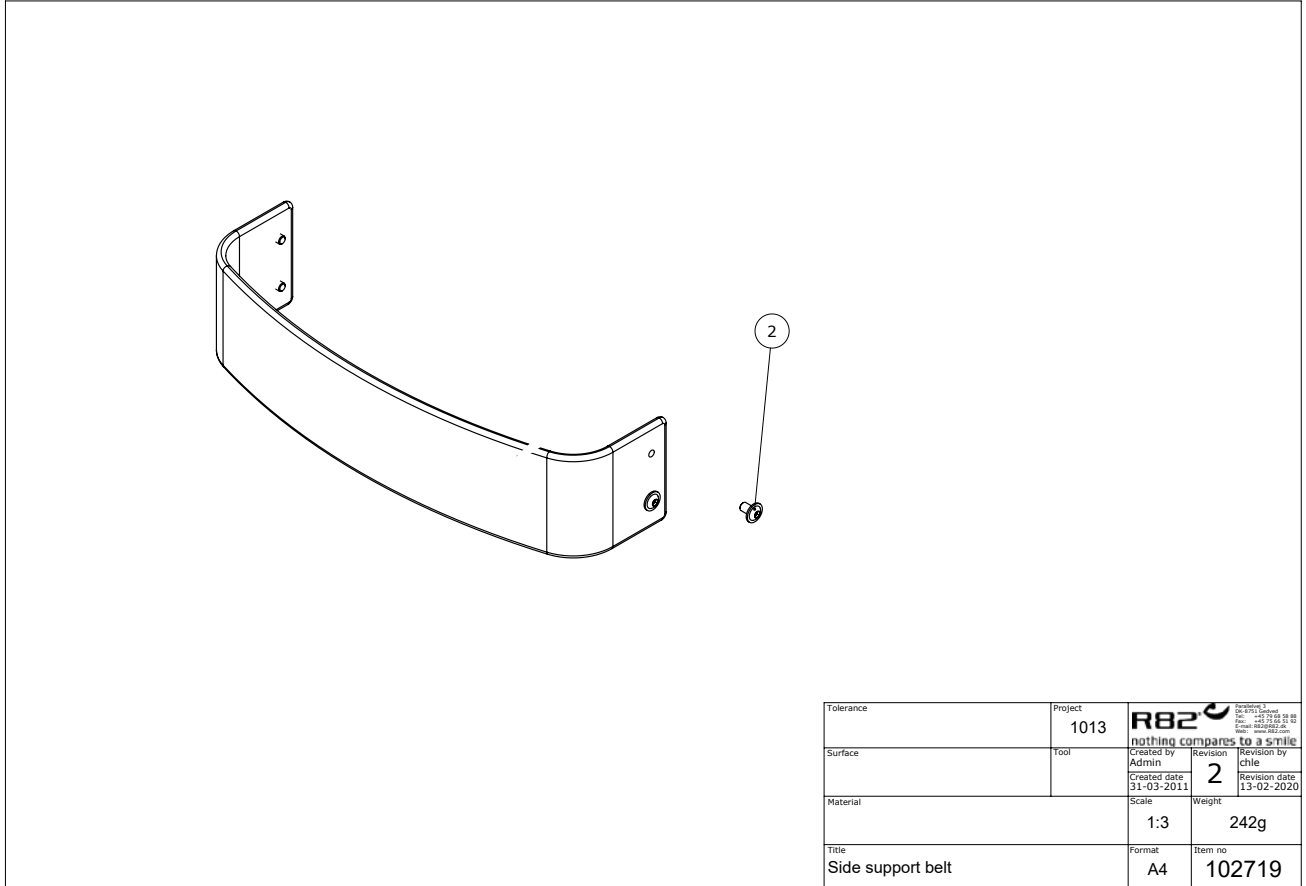
Chest strap



Item numbers for Chest strap (862101-2, 862101-3, 862101-4)

Position	Art nr.	Description	Quantity	Unit of measure	Ean kode
2	74090	Mounting for frontfork	2	PCS	5707292374066
3	0308710	Rf. Spring 0.5x8x10mmx4v	2	PCS	5707292135483
4	84608	Buckle bushing	2	PCS	5707292548085
5	3501401	R82 handle M6x20mm screw	2	PCS	5707292413901

Strap for side supports



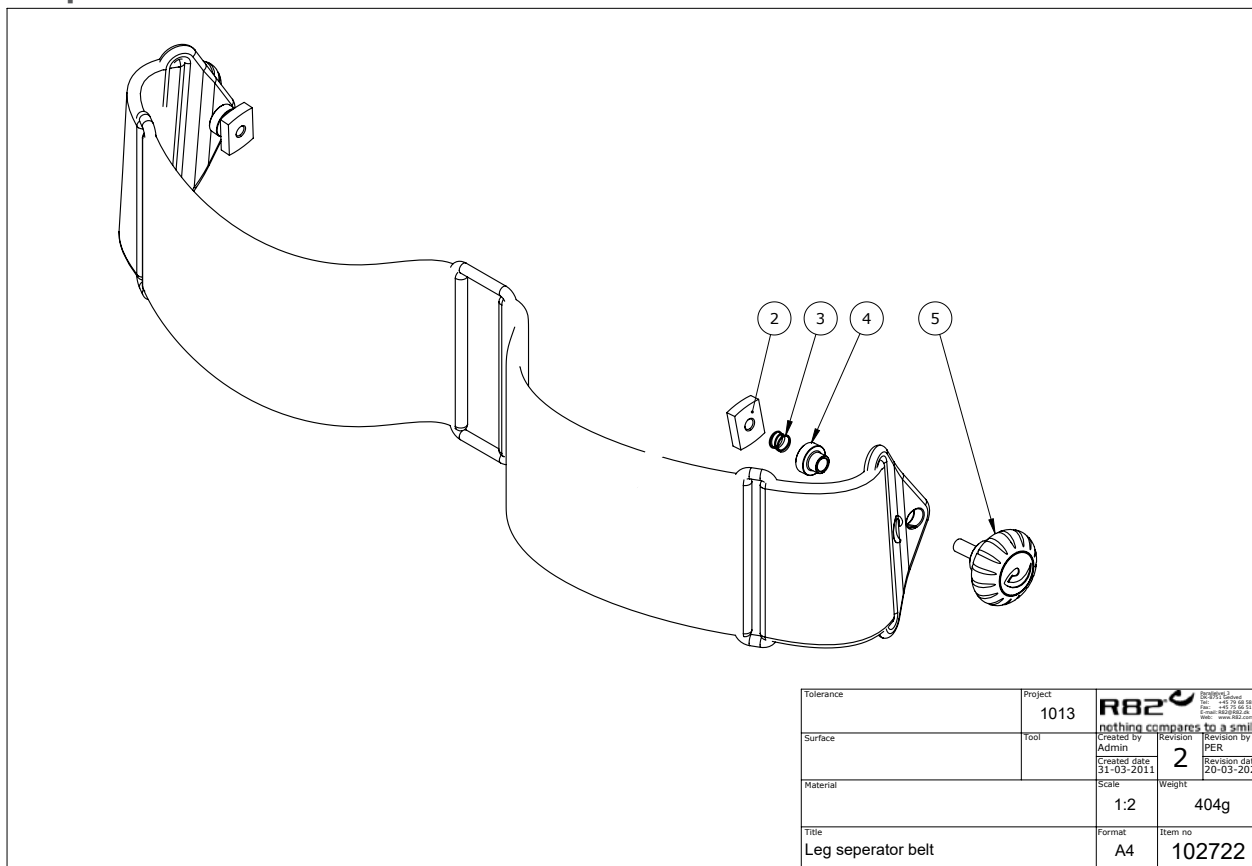
C:\EPDM\Projects\1013\Beltes\102719

2

Item numbers for Strap for side supports (862103-1, 862103-2, 862103-3, 862103-4)

Position	Art nr.	Description	Unit of measure	Quantity	Ean kode
2	0659011	Button head with flange M6x12	PCS	4	5707292505507

Strap for Pommel



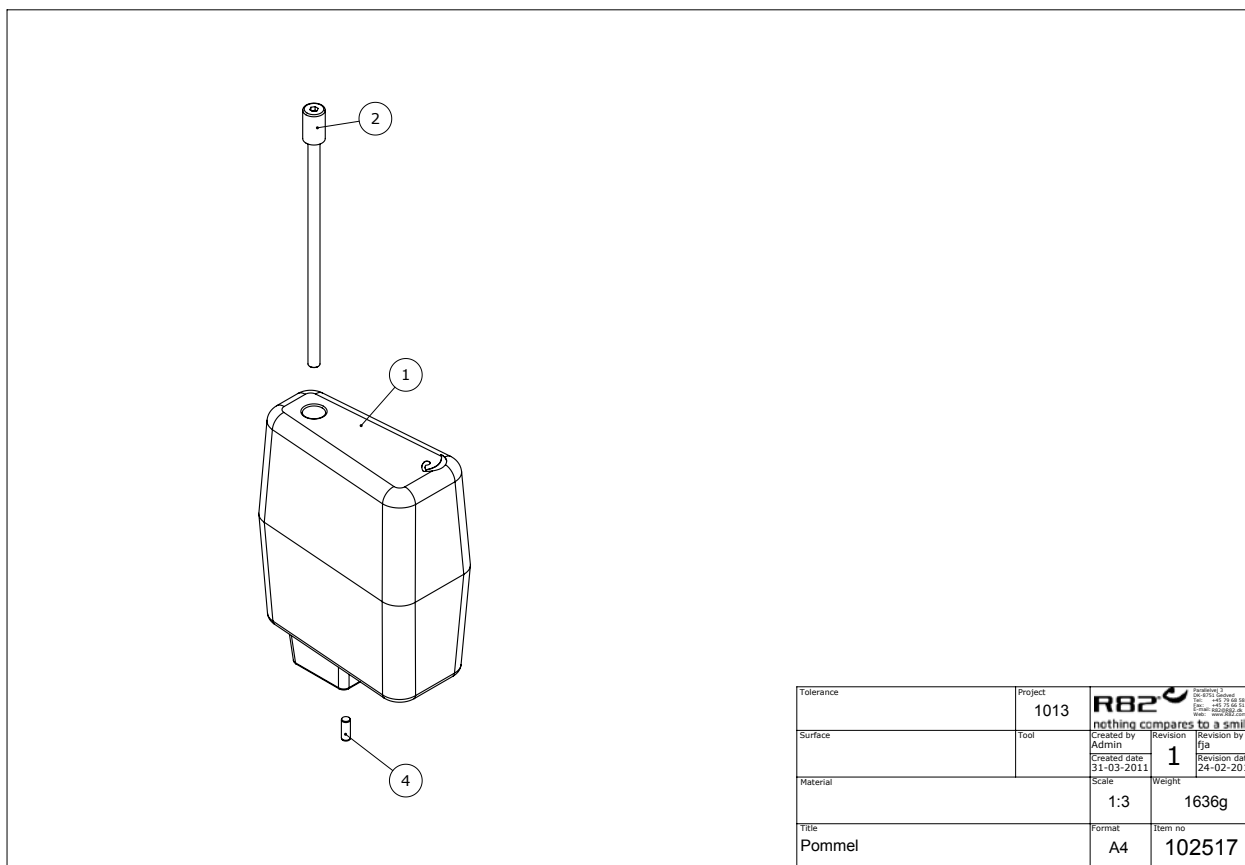
C:\PDM\Projects\0113\Belt\102722

1.01

Item numbers for Strap for Pommel (862104-1, 862104-2)

Position	Art nr.	Description	Quantity	Unit of measure	Ean kode
2	74090	Mounting for frontfork	2	PCS	5707292374066
3	0308710	Rf. Spring 0.5x8x10mmx4v	2	PCS	5707292135483
4	84608	Buckle bushing	2	PCS	5707292548085
5	3501401	R82 handle M6x20mm screw	2	PCS	5707292413901

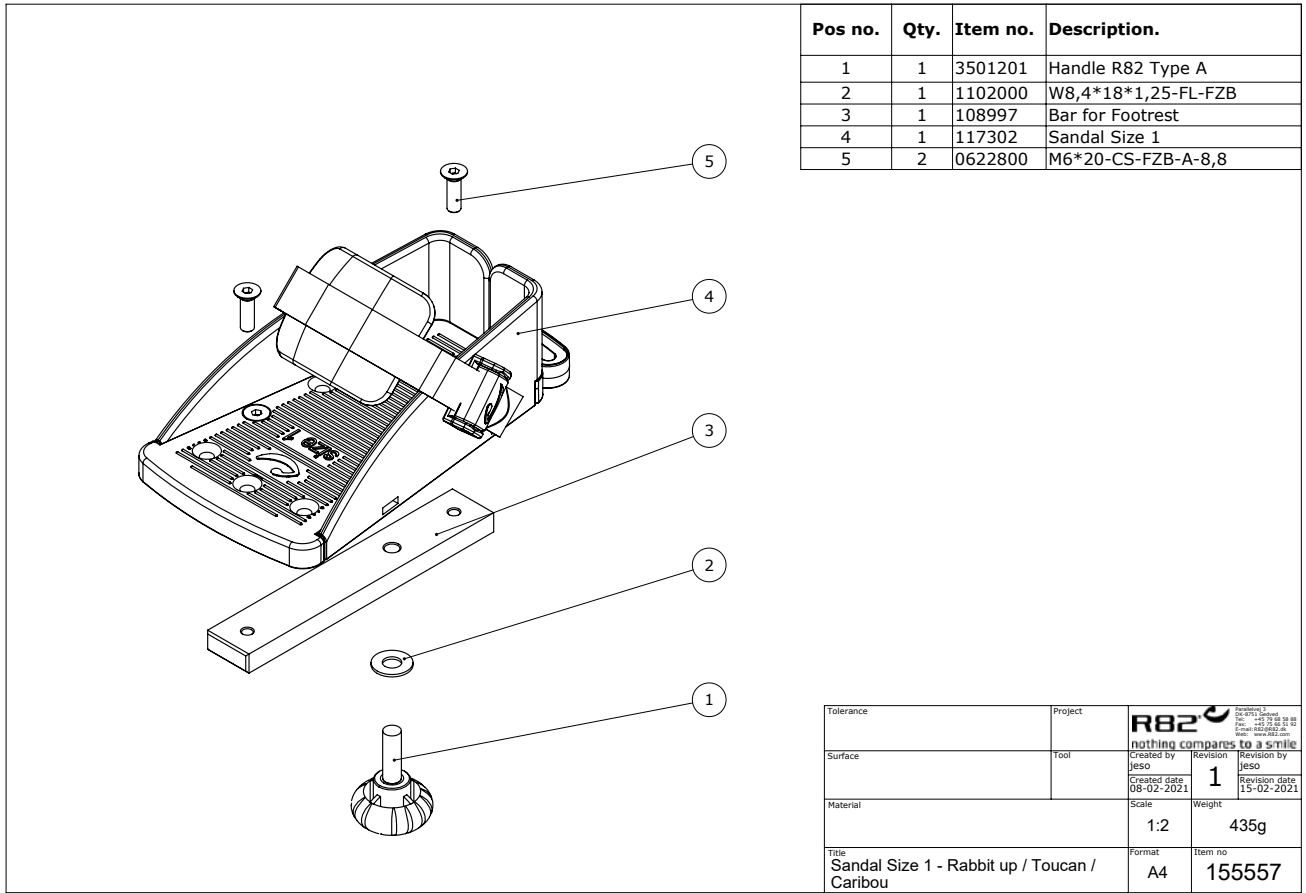
Pommel



Item numbers for Pommel (861103-1, 861103-2)

Position	Art nr.	Description	Unit of measure	Quantity	Ean kode
1*	84595	PUR Pommel für Caribou sz 1	PCS	1	5707292543530
	84597	PUR pommel für Caribou sz 2	PCS	1	5707292543523
2*	84601	Threaded tap 128 mm, size 1	PCS	1	5707292126689
	84602	Threaded tap 208 mm, size 2	PCS	1	5707292544131
4	0530013	Cyl.stift Ø6x16 mm.	PCS	1	5707292545411
*Choose size/color					

Sandal



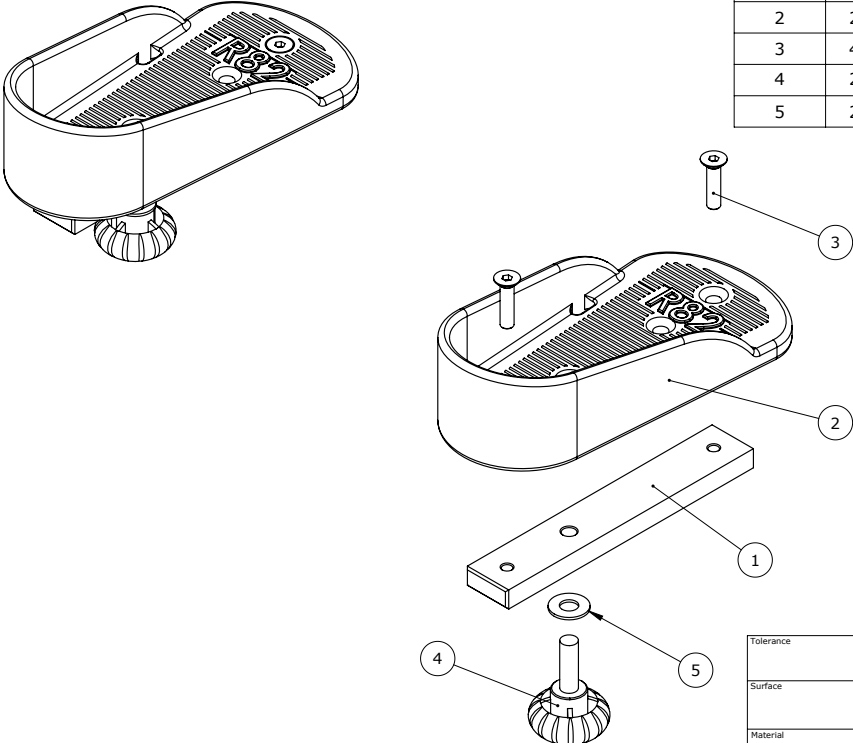
Item numbers for sandal (small 869490-RT, medium 869491-RT, large 869492-RT)

Position	Art nr.	Description	Quantity	Unit of measure	Ean code
1	3501201	R82 handle M8x25mm screw	2	PCS	5707292413932
2	1102000	Planing washer 8mm	2	PCS	5707292140227
3*	108997	Bar for footrest for size 1	2	PCS	5707292574879
	82250	Rod for duck feed gazelle/buff for size 2+3	2	PCS	5707292122872
4*	117311	Sandal size 1	1	SET	5707292795519
	117312	Sandal size 2	1	SET	5707292795526
	117313	Sandal size 3	1	SET	5707292795540
5	0622800	Insex screw counters. 6x20	4	PCS	5707292138972

*Choose size/color

Formed foot plate

Pos no.	Qty.	Item no.	Description.
1	2	108997	Bar for Footrest
2	2	82156	
3	4	0622900	M6*25-CS-SS-A-A2
4	2	3501201	R82 drejeregreb M8*25
5	2	1102000	W8,4*18*1,25-FL-FZB



Tolerance	Project	1013	R82 nothing compares to a smile
Surface	Foot	Created by PER	Revision by PN
		Created date 13-03-2013	Revision date 13-03-2013
Material	Scale	1:2	Weight 494g
Title	Format	A4	Item no. 108998
Footplate size 0 for Toucan/Caribou			

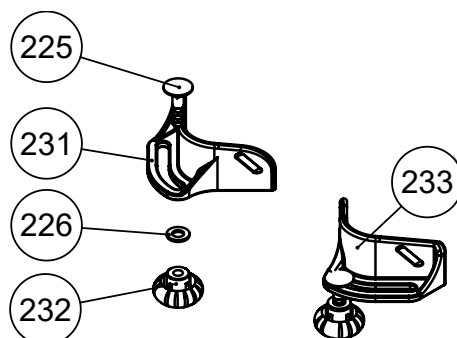
C:\EFORM\Kac\108998

Item numbers for Formed foot plate (86149, 86147, 86148)

Position	Art nr.	Description	Unit of measure	Quantity	Ean kode
1*	108997	Bar for footrest (for size 0)	PCS	2	5707292574879
	82250	Rod for duck feed gazelle/buff (for size 1+2+3)	PCS	2	5707292122872
2*	82156-60	Footplate size 1,black,gazelle	PCS	2	5707292230492
	82154-60	Footplate size 2,black,gazelle	PCS	2	5707292230478
	82158-60	Footplate size 3 black,gazelle	PCS	2	5707292230508
3	0612500	Insex screw counters. 6x25	PCS	4	5707292138712
4	3501201	R82 handle M8x25mm screw	PCS	2	5707292413932
5	1102000	Planing washer 8mm	PCS	2	5707292140227

*Choose size/color

Heel support

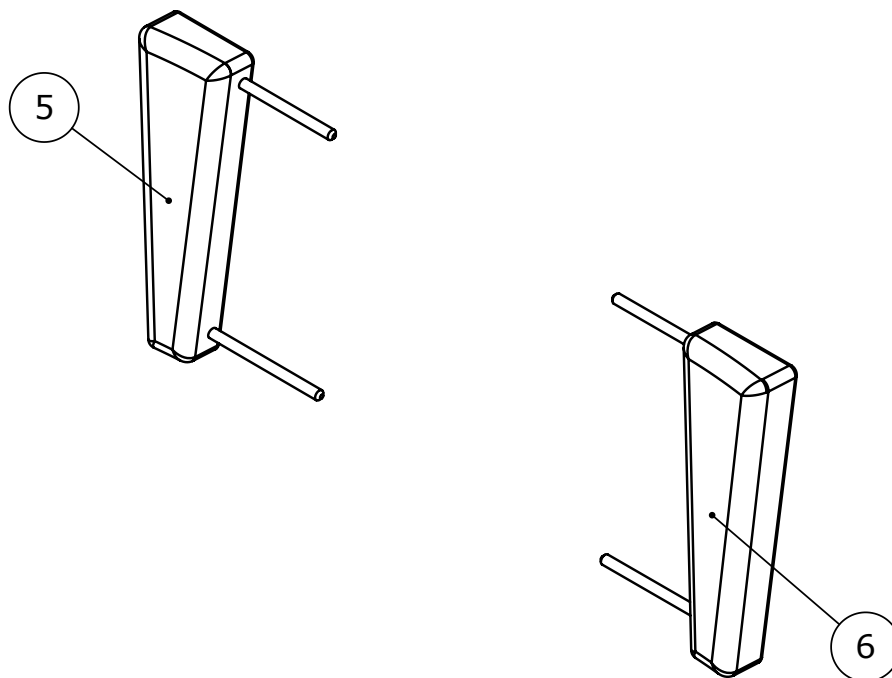


Item numbers for Heel support (861251, 861252)

Position	Art nr.	Description	Unit of measure	Quantity	Ean kode
225	1905600	Board bolt 8x30mm	PCS	2	5707292142337
226	1102010	Face plate 8,4x18x2mm, FZB	PCS	2	5707292429766
231*	72696	Heel unit right size 1	PCS	1	5707292421715
	72710	Heel unit right size 2	PCS	1	5707292436832
232	3501501	R82 handle M8x15mm nut	PCS	2	5707292413949
233*	72697	Heel unit left size 1	PCS	1	5707292421722
	72711	Heel unit left size 2	PCS	1	5707292436849

*Choose size/color

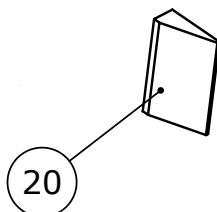
Shoulder support, set



Item numbers for Shoulder support, set (861126-1, 861126-2, 861126-3, 861126-4)

Position	Art nr.	Description	Unit of measure	Quantity	Ean kode
5*	84526	Arm support, Right size 1	PCS	1	5707292539380
	84527	Arm support, Right size 2	PCS	1	5707292539397
	84528	Arm support, Right size 3	PCS	1	5707292539403
	84529	Arm support, Right size 4	PCS	1	5707292539410
6*	84521	Arm support, left size 1	PCS	1	5707292539328
	84522	Arm support, left size 2	PCS	1	5707292539359
	84523	Arm support, left size 3	PCS	1	5707292539366
	84524	Arm support, left size 4	PCS	1	5707292539373
*Choose size/color					

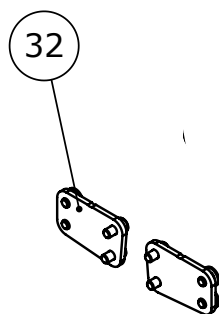
Wedges for side slots



Item numbers for Wedges for side slots (861107-1, 861107-2, 861107-3)

Position	Art nr.	Description	Unit of measure	Quantity	Ean kode
20*	102528	Side cushion, size 1	PCS	2	5707292562470
	102529	Side cushion, size 2	PCS	2	5707292562487
	102530	Side cushion, size 3	PCS	2	5707292562494
*Choose size/color					

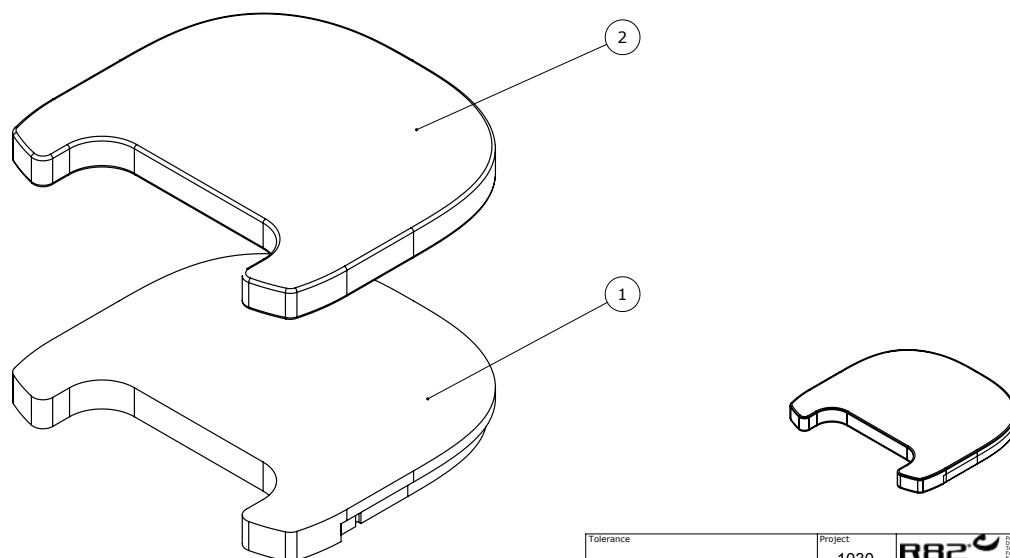
Adjustment plates for side supports




Item numbers for Adjustment plates for side supports (861102-PL)

Position	Art nr.	Description	Quantity	Unit of measure	Ean kode
32	31	Extension for chest support	2	PCS	5707292913876
32	0661300	button head with flange 8x12	4	PCS	5707292408068
32	0603530	Insex low head M8x16 stainless	4	PCS	5707292412492
32	1100500	Spring washer 8mm, stainless	4	PCS	5707292140142

Foam padding w/cover for plastic tray



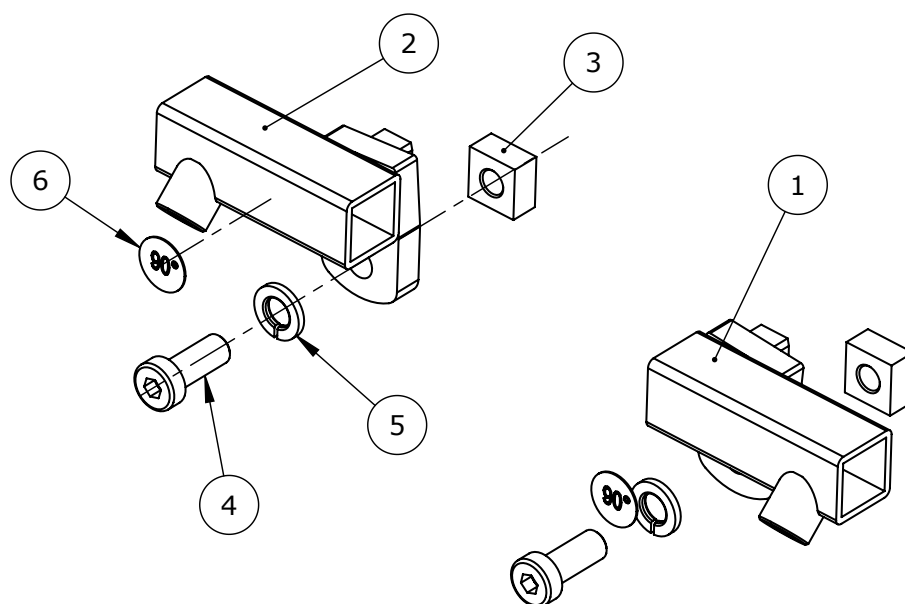
Tolerance	Project		
	1030	<small>nothing compares to a smile</small>	
Surface	Tool	Created by	Revision
	140692	PER	2
		Created date	Revision date
		28-11-2018	30-11-2018
Material	Scale	Weight	
	1:7	14190g	
Title	Format	Item no	
Foam inlay with cover	A4	140692	

Item numbers for Foam padding w/cover for plastic (862135-0, 862135-1, 862135-2)

Position	Art nr.	Description	Unit of measure	Quantity	Ean kode
1*	135454	Soft cover (Square)	PCS	1	5707292830081
	136255	Soft cover (round small)	PCS	1	5707292830104
	136263	Soft cover (round small)	PCS	1	5707292830098
2*	138812	Table cover, square	PCS	1	5707292875600
	138813	Table cover (round small)	PCS	1	5707292875426
	138814	Table cover (round big)	PCS	1	5707292875617

*Choose size/color/type

Holders for straight mounting in extra cushions

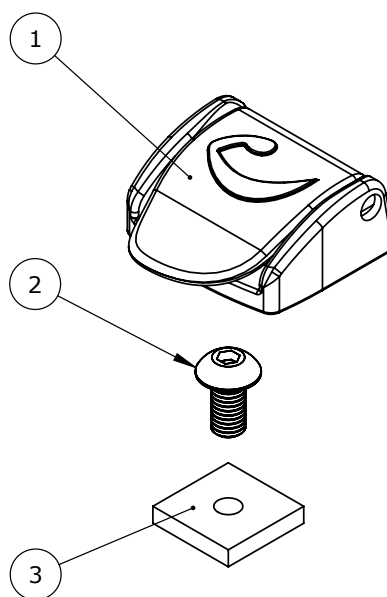


Item numbers for Holders for straight mounting in extra cushions (861106-KIT)

Position	Art nr.	Description	Unit of measure	Quantity	Ean kode
1	151798	Holder for side support, right	PCS	1	5707292922045
2	151725	Holder for side support, left	PCS	1	5707292922038
3	80615	Slidebar 15x15x8, M8	PCS	2	5707292437600
4	0603534	Insex low head M8x20	PCS	2	5707292575302
5	1101000	Center spring washer 8mm	PCS	2	5707292140173
6	0494526	Lable angle 90 degrees	PCS	2	5707292922106

*Choose size/color

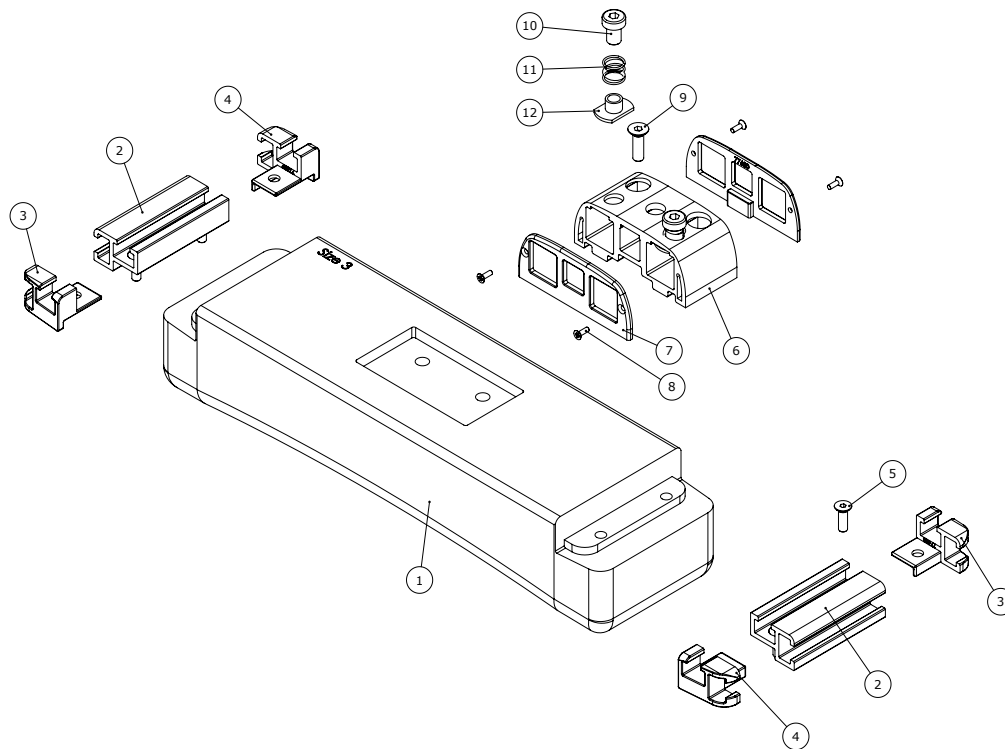
Fix locks




Item numbers for Fix locks (862109-35)

Position	Art nr.	Description	Unit of measure	Quantity	Ean kode
1	75306	Snap lock R82 25	PCS	6	5707292437624
2	0640911	Button head M5x10 FZB tuflok	PCS	6	5707292428479
3	112350	Holder for fixlock	PCS	6	5707292590978

Extra cushions



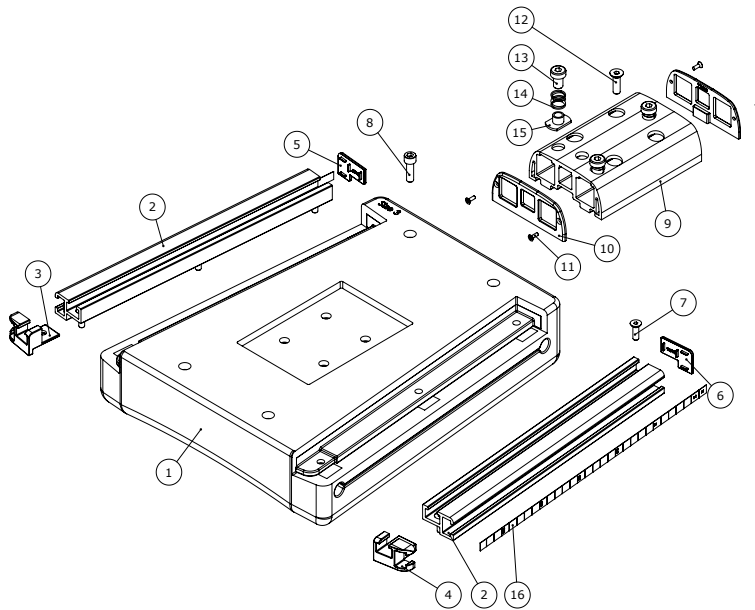
 <small>R82 A/S Etac - 1013 1013 nothing compares to a smile!</small>	Created by Admin	Revision 2	Revision by Jens
	Evaluated date 11-03-2011	Project 1013	Item no 102519


Item numbers for Extra cushions (861106-1, 861106-2, 861106-3, 861106-4)

Position	Art nr.	Description	Unit of measure	Quantity	Ean kode
1*	77771	Extension size 1, mounted	PCS	1	5707292528063
	77772	Extension size 2, mounted	PCS	1	5707292528087
	77773	Extension size 3, mounted	PCS	1	5707292528094
	77774	Extension size 4, mounted	PCS	1	5707292528100
2*	77690	Side profile, size 1	PCS	2	5707292543646
	77686	Side profile,ext. Size 2-3-4	PCS	2	5707292527837
3	77688	End for Side profile	PCS	2	5707292540997
4	77689	End for Side profile	PCS	2	5707292541000
5	0615020	Insex screw counters. 5x20	PCS	4	5707292138866
6	77685	Center profile,ext. Sz 1,2,3,4	PCS	1	5707292527820
7	77680	End plate	PCS	2	5707292527615
8	1940010	Plastite 60, 2,9x6,5	PCS	4	5707292142573
9	0623000	Insex screw counters. 6x25	PCS	2	5707292138989
10	0603525	Insex low head M8x12 stainless	PCS	2	5707292433749
11	0301006	Spring 1x10x10 mm stainless	PCS	2	5707292542229
12	1600521	Welding nut M8 w/flange	PCS	2	5707292360106

*Choose size/color

Top plate



 nothing compares to a smile! Title: Chest plate	Created by Admin	Revision 2	Revision by jeso
	Created date 31-03-2011	Revision date 11-08-2011	
	Product 1013	Item no. 102523	

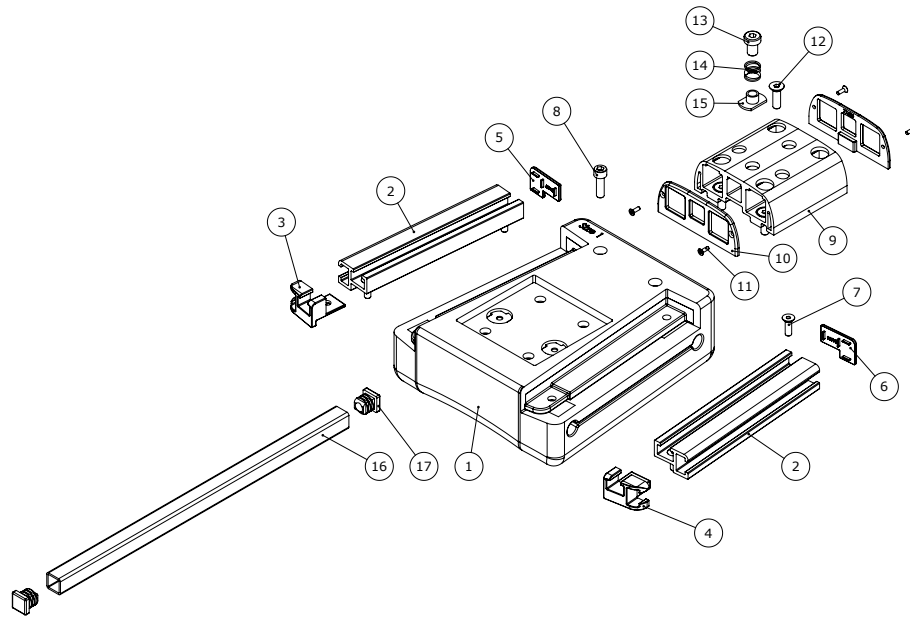
102523


Item numbers for Top plate (861101-1, 861101-2, 861101-3, 861101-4)

Position	Art nr.	Description	Unit of measure	Quantity	Ean kode
1*	77736	Chest plate size 1, mounted	PCS	1	5707292527981
	77737	Chest plate size 2, mounted	PCS	1	5707292527998
	77738	Chest plate size 3, mounted	PCS	1	5707292528001
	77739	Chest plate size 4, mounted	PCS	1	5707292528018
2*	77676	Side profile, chest plate, sz1	PCS	2	5707292527769
	77677	Side profile, chest plate, sz2	PCS	2	5707292527776
	77678	Side profile, chest plate, sz3	PCS	2	5707292527783
	77679	Side profile, chest plate, sz4	PCS	2	5707292544469
3	77688	End for Side profile	PCS	1	5707292540997
4	77689	End for Side profile	PCS	1	5707292541000
5	84607	Profile end prop	PCS	1	5707292548023
6	84606	Profile end prop	PCS	1	5707292545558
7	0615016	Insex screw 5x16	PCS	4	5707292138859
8	0602300	Insex screw 6x20	PCS	2	5707292138101
9	77683	Center profile, base sz 3-4	PCS	1	5707292527813
10	77680	End plate	PCS	2	5707292527615
11	1940010	Plastite 60, 2,9x6,5	PCS	4	5707292142573
12	0622800	Insex screw counters. 6x20	PCS	4	5707292138972
13	0603525	Insex low head M8x12 stainless	PCS	3	5707292433749
14	0301006	Spring 1x10x10 mm stainless	PCS	3	5707292542229
15	1600521	Welding nut M8 w/flange	PCS	3	5707292360106
16	102509	Adjustment indikator size 1	PCS	2	5707292562579

*Choose size/color

Head support plate



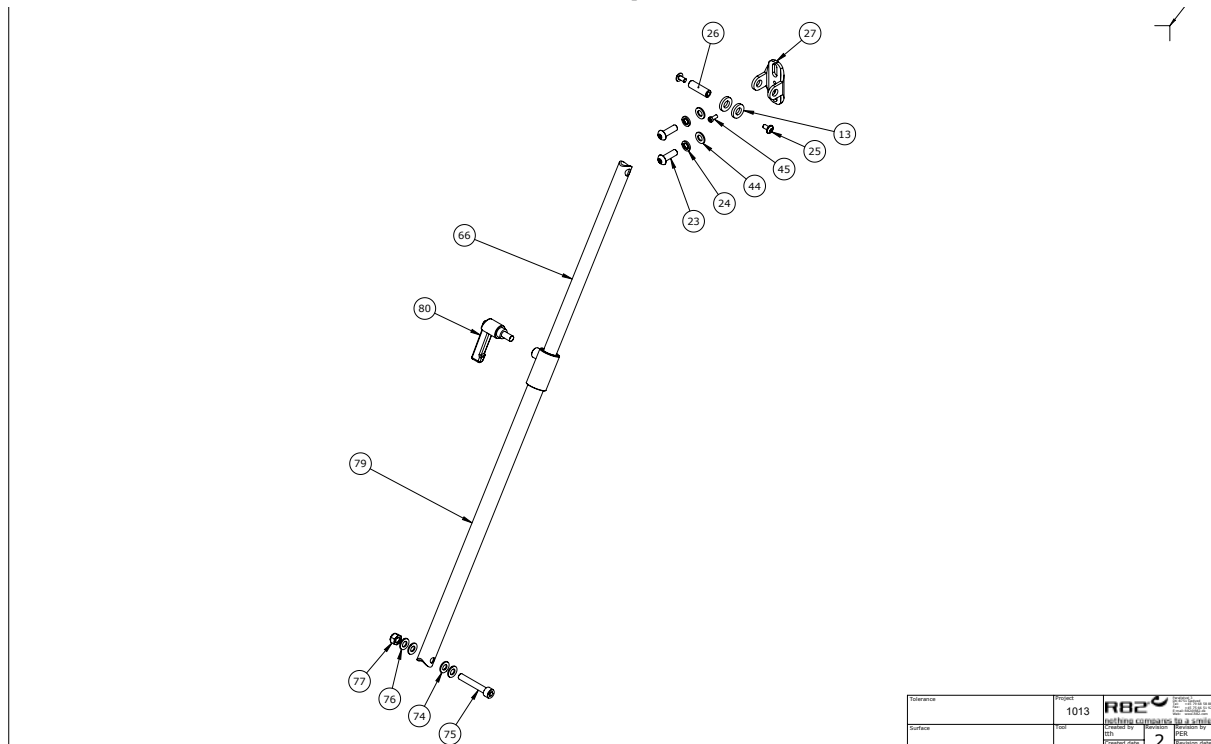
 <small>REVISIONS</small> <small>Nothing compares to a smile!</small>	Created by Admin	Revision 2	Revision by jesp
	Created date 31-03-2011	Revision date 31-03-2011	Revision date 11-08-2017
Title Head plate	Project 1013	Item no. 102526	

Item numbers for Head support plate (861116-1, 861116-2)

Position	Art nr.	Description	Unit of measure	Quantity	Ean kode
1*	77736	Chest plate size 1, mounted	PCS	1	5707292527981
	77737	Chest plate size 2, mounted	PCS	1	5707292527998
2*	77676	Side profile, chest plate, sz1	PCS	2	5707292527769
	77677	Side profile, chest plate, sz2	PCS	2	5707292527776
3	77688	End for Side profile	PCS	1	5707292540997
4	77689	End for Side profile	PCS	1	5707292541000
5	84607	Profile end prop	PCS	1	5707292548023
6	84606	Profile end prop	PCS	1	5707292545558
7	0615016	Insex screw 5x16	PCS	4	5707292138859
8	0602300	Insex screw 6x20	PCS	2	5707292138101
9	77683	Center profile,base sz 3-4	PCS	1	5707292527813
10	77680	End plate	PCS	2	5707292527615
11	1940010	Plastite 60, 2,9x6,5	PCS	4	5707292142573
12	0622800	Insex screw counters. 6x20	PCS	4	5707292138972
13	0603525	Insex low head M8x12 stainless	PCS	1	5707292433749
14	0301006	Spring 1x10x10 mm stainless	PCS	1	5707292542229
15	1600521	Welding nut M8 w/flange	PCS	1	5707292360106
16	84580	Tube 15x15x2mm L=315mm	PCS	1	5707292544346
17	2504001	Ferrule 15x15x1-2 int.black	PCS	2	5707292561343

*Choose size/color

Conversion kit lift-o-mat to telescopic tube



Item numbers for Conversion kit lift-o-mat to telescopic tube (860113-KIT)

Position	Art nr.	Description	Unit of measure	Quantity	Ean kode
13	1350006	Pvc bush black 20x10,2x3,5mm	PCS	2	5707292545428
25	0659012	B.h. M/flange M6x10 FZB eslock	PCS	2	5707292578358
26	77617	Pin	PCS	1	5707292541017
66	113074	Inner tube for ajustm.unit s.3	PCS	1	5707292601896
74	1310610	Nylon washer din 125a, M8	PCS	2	5707292374684
75	0603550	Insex screw 8x50	PCS	1	5707292138255
76	1103200	Fazet washer 8x16x1,5mm, FZB	PCS	2	5707292140296
77	1607000	Lock nut 8mm, large pack	PCS	1	5707292141378
79	113068	Outer tube welded for adjustme	PCS	1	5707292601919
80	3502600	Tightening handle 65mm M8x16	PCS	1	5707292146922

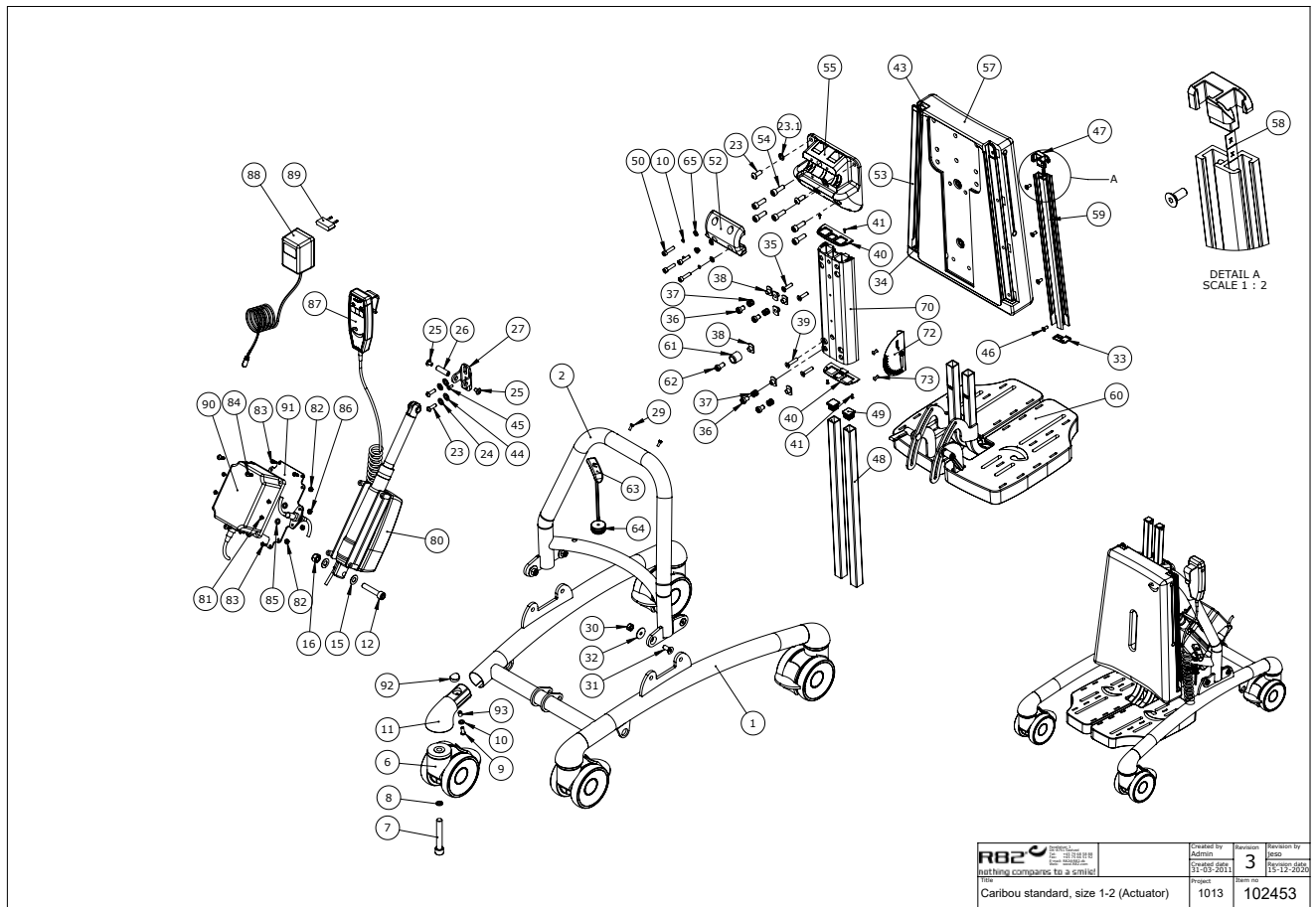
*Choose size/color/type

Item numbers for Conversion kit lift-o-mat to telescopic tube (860114-KIT)

Position	Art nr.	Description	Unit of measure	Quantity	Ean kode
13	1350006	Pvc bush black 20x10,2x3,5mm	PCS	2	5707292545428
25	0659012	B.h. M/flange M6x10 FZB eslock	PCS	2	5707292578358
26	77617	Pin	PCS	1	5707292541017
66	113073	Inner tube for ajustm.unit s.4	PCS	1	5707292601902
74	1310610	Nylon washer din 125a, M8	PCS	2	5707292374684
75	0603550	Insex screw 8x50	PCS	1	5707292138255
76	1103200	Fazet washer 8x16x1,5mm, FZB	PCS	2	5707292140296
77	1607000	Lock nut 8mm, large pack	PCS	1	5707292141378
79	113068	Outer tube welded for adjustme	PCS	1	5707292601919
80	3502600	Tightening handle 65mm M8x16	PCS	1	5707292146922

*Choose size/color/type

Power kit , complete- size 1 & 2

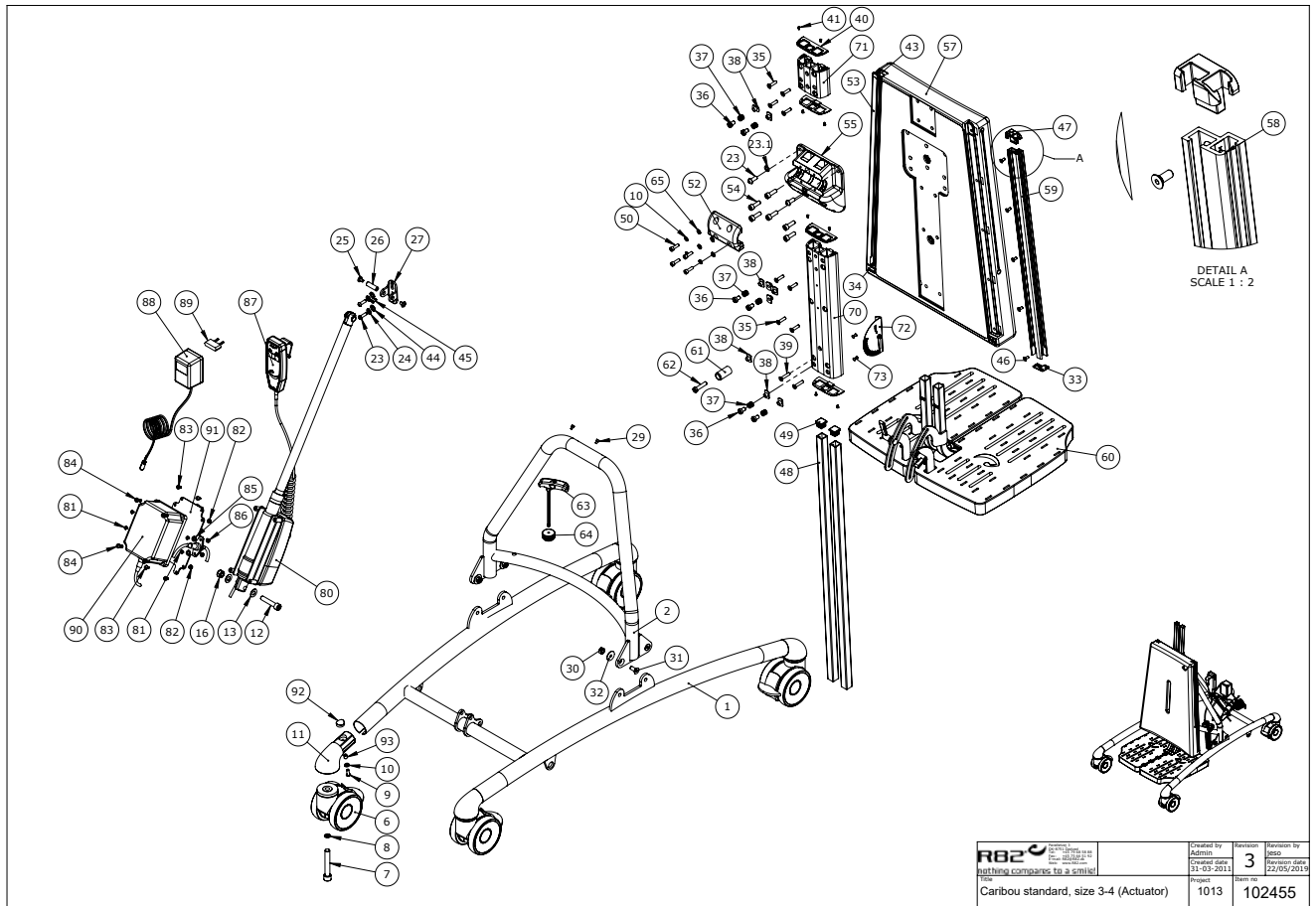


R82 <small>ETAC A/S</small> <small>Etac Group</small> <small>Nothing compares to a spirit!</small>	<small>Created by</small> Action	<small>Revision</small> 3	<small>Revision by</small> Jacek
	<small>Project</small> Caribou standard, size 1-2 (Actuator)	<small>Created date</small> 12-03-2011	<small>Issue date</small> 11-12-2010
	<small>Part no.</small> 1013	<small>Part no.</small> 102453	

Item numbers for Power kit , complete (861140)

Position	Art nr.	Description	Unit of measure	Quantity	Ean kode
12	0606006	Insex M10x50, FZB shortened	PCS	1	5707292545169
15	1103400	Fazet washer 10 mm	PCS	2	5707292140319
16	1607500	Lock nut 10 mm	PCS	1	5707292141385
25	0659012	B.h. M/flange M6x10 FZB eslock	PCS	2	5707292578358
26	77617	Pin	PCS	1	5707292541017
80	2222030	Actuator LA28 for Caribou 1+2	PCS	1	5707292543363
81	1902595	Crosshead screw M3x12, FZB	PCS	4	5707292565099
82	1606300	Lock nut 5 mm	PCS	4	5707292141354
83	1940007	Eco syn 4x16 torx	PCS	4	5707292520593
84	1902760	Cross-headed screw 5x16 mm	PCS	4	5707292142146
85	1102800	Fazet washer 4mm	PCS	4	5707292140265
86	1606250	Self-locking nut 3mm	PCS	4	5707292408396
87	2220600	Handset w/r82 print & charging	PCS	1	5707292492241
88	2222161	Charger with plugs	PCS	1	5707292574046
90	2222110	Power unit ba18027	PCS	1	5707292492258
91	84599	Plate for battery	PCS	1	5707292543233

Power kit , complete - size 3 & 4



Item numbers for Power kit , complete (861150, 861160)

Position	Art nr.	Description	Unit of measure	Quantity	Ean kode
12	0606006	Insex M10x50, FZB shortened	PCS	1	5707292545169
13	1103400	Fazet washer 10 mm	PCS	2	5707292140319
16	1607500	Lock nut 10 mm	PCS	1	5707292141385
25	0659012	B.h. M/flange M6x10 FZB eslock	PCS	2	5707292578358
26	77617	Pin	PCS	1	5707292541017
80*	2222035	Actuator LA28 Caribou 4	PCS	1	5707292544964
	2222036	Actuator LA28 Caribou 3	PCS	1	5707292550514
81	1902595	Crosshead screw M3x12, FZB	PCS	4	5707292565099
82	1606300	Lock nut 5 mm	PCS	4	5707292141354
83	1940007	Eco syn 4x16 torx	PCS	4	5707292520593
84	1902760	Cross-headed screw 5x16 mm	PCS	4	5707292142146
85	1102800	Fazet washer 4mm	PCS	4	5707292140265
86	1606250	Self-locking nut 3mm	PCS	4	5707292408396
87	2220600	Handset w/r82 print & charging	PCS	1	5707292492241
88	2222161	Charger with plugs	PCS	1	5707292574046
90	2222110	Power unit ba18027	PCS	1	5707292492258
91	84599	Plate for battery	PCS	1	5707292543233

*Choose size/color/type

Plug

Plug 2222165



Plug 2222166



Plug 2222167



Plug 2222169



Batteries

Batteries (set) 2222012

