

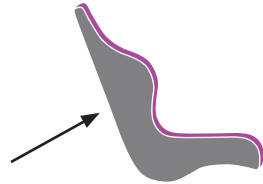
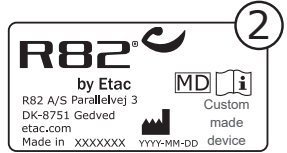


Turtle User Guide

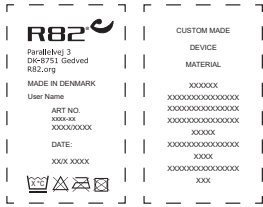
Custom made device

DANSK	3-17
ENGLISH	8-12
NORSK	13-17
РОССИЯ	18-22

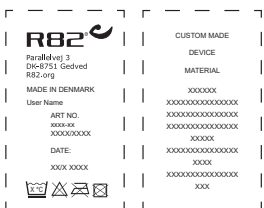
EN	DK	NO	RU
Labels identification	Identifikation af etiketter	Etikettidentifikasjon	Идентификация этикеток
1: Serial number	1: Serienummer	1: Serienummer	1: серийный номер
2: Manufacturer	2: Producent	2: Produsenten	2: режиссер



<p>For molded units Typically located on the back of the device.</p> <p>For R82 frames Check the accompanying user guide</p>	<p>For formstøbte enheder Typisk placeret på ryggen af enheden.</p> <p>For R82 stel Se placering af labels i User Guide der følger med stellet</p>	<p>For støpte enhetene Typisk ligger på baksiden av enheten.</p> <p>For R82 chassis Se plassering av etiketter i brukerhåndboken som følger med rammen</p>	<p>Для получения формованных блоков Как правило, расположены на задней стороне устройства.</p> <p>Для R82 шасси См размещения меток в руководстве пользователя, который поставляется с рамой</p>
--	--	--	--



Labels i covers
Labels i betræk
Etiketter i møbeltrækk
Этикетки в обивке



Labels in inlays
Labels i indlæg
Etiketter i innleggene
Этикетки в постах

We appreciate your choice of a new product from R82 - a worldwide supplier of technical aids and appliances for children and adults with special needs. To fully benefit from the options offered by this product please read this User Guide before use and save it for future reference.

Intended purpose

Turtle is form-casted plastic and foam units. This means that no Turtle products are alike. Turtle is shaped using an imprint of a user, this results in exactly the support required for a user.

Turtle is classified as, custom-made device and only a technically competent professional, trained in the use of these products should prepare the products for a user.

The product is for indoor and outdoor use except Turtle products intended for Toilet and bath, these are intended for indoor use. R82 assumes no liability for damage or personal injury if the product is not used for the intended purpose.

When combining Turtle with other products. The combination must not change the intended purpose of either products or modify the products in such a way that compliance with the applicable requirements may be affected.

The combiner of the products must ensure, that applicable requirements are fulfilled.

Applicable requirements examples: alignment of user weight/mass of the combined seat and base, approval for transportation in vehicles of both products (ISO16840-4 for seat and ISO7176-19 for base), material safety (biocompatibility, flammability), mechanical safety (stability, squeezing hazards, inter connection), electrical safety.

R82 Warranty

R82 offers a 2-year warranty against defects in workmanship and materials and a 5-year warranty on breakage of the metal frame caused by defects in welds. The warranty would be adversely affected if the customer's responsibility of servicing and/or maintenance is not carried out according to the guidelines and intervals prescribed by the supplier and/or stated in the User Guide. For further information, we refer to the etac homepage/download.

The lifetime of this product in normal use is 5 years if all maintenance and servicing is carried out in accordance with the manufacturer's instructions and demonstrably recorded.

The warranty is only granted in the country where the product was purchased and if the product can be identified by the serial number. The warranty does not cover accidental damage, including damage caused by misuse or neglect. The warranty does not extend to consumable items e.g. tires or upholstery, which are subject to normal wear and tear and need periodic replacement.

The warranty is null and void if other than original parts/accessories are used, or if the product has not been maintained, repaired or altered according to the guidelines and intervals prescribed by the supplier and/or stated in the User Guide. R82 reserves the right to inspect the product being claimed for and the relevant documentation before agreeing to the warranty claim, and to decide upon whether to replace or repair the defective product. It is the customer's responsibility to return the item being claimed for under warranty to the address of purchase.

Consult instructions

The latest version of the instructions is always available on the etac website and can be printed in larger sizes



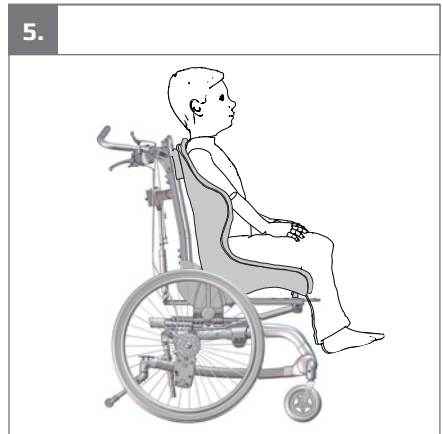
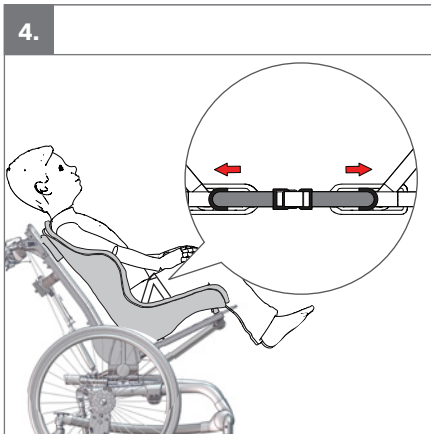
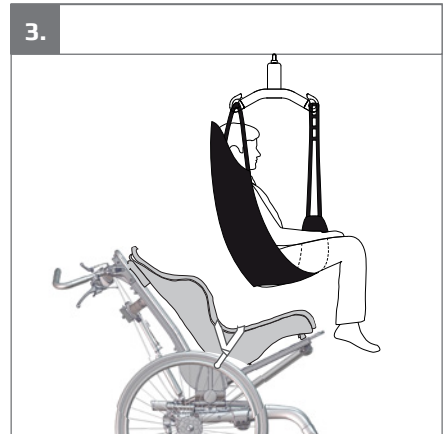
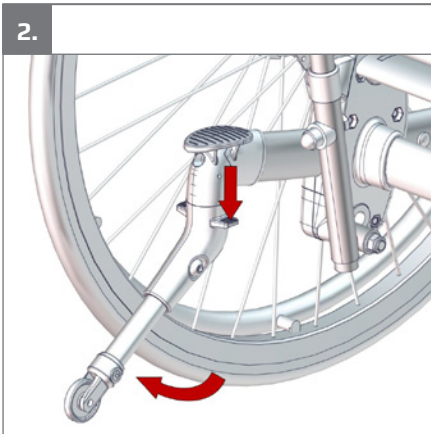
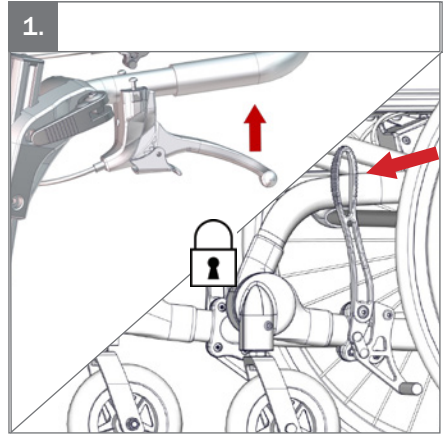
Adjustment

This product has been selected and set up in cooperation with a qualified professional. Adjustment of the product helps to maintain optimal support and is important in relation to the user's growth and development. The caretaker takes responsibility for the safety and effectiveness of the properly adjusted position. These settings should not be changed without the permission of the qualified professional.

Location of a user

In molded units on a R82 frame see illustration 1-5

Always check that the user is correctly positioned and secured using vest and belts



Safety

Signs, symbols and instructions placed on this product must never be covered or removed and must remain present and clearly legible throughout the entire lifetime of the product. Immediately replace or repair illegible or damaged signs, symbols and instructions. Contact your local dealer for instructions. In case of an adverse event occurred in relation to the device, incidents should be reported to your local dealer and the national competent authority in a timely manner. The local dealer will forward information to manufacturer.

Caregiver

- Read the "User Guide" carefully before use and keep it for future reference. Incorrect use of this product may cause serious injury to the user
- Always use the correct lifting techniques and aids for this purpose
- Never leave the user unattended in this product. Ensure permanent supervision by an adult
- Repair/replacements must only be made using new original R82 spare parts and fittings and carried out in accordance with the guidelines and service intervals prescribed by the supplier
- If there is any doubt as to the continued safe use of your R82 product or if any parts should fail, stop using the product immediately and contact your local dealer as soon as possible
- Always use the product in a moderate pace. Do not run with the product

Environment

- Observe the surface temperature on the product, before placing an user in it. This goes especially for users with insensitive skin as they cannot feel the heat. If the surface temperature is above 41 °C then allow the product to cool before use
- Use this product on a level surface without any obstacles. Be aware of reduced maneuverability on slippery surfaces

User

- If the user is close to the max. load limit and/or has a lot of involuntary movements, e.g. rocking, a larger size with a higher max. load or a different R82 product should be considered

Product

- The product is molded for one user only. Multiple users is not allowed
- The brake and anti-tip must be activated before placing a user
- Carry out all positional adjustments on the product and accessories and ensure that all knobs, screws and buckles are securely fastened before use. Keep all tools out of the reach of children

- The brake and anti-tip must be activated before placing a user
- Activate the brakes before placing the user into the product
- Ensure the stability of the product is maintained before placing the user in it
- We recommend you notify the user before angling the back
- Ensure the castors are fully-functional and secure before use
- Inspect the product and all of its accessories and replace any worn out parts before use
- Be careful not to squeeze fingers when angling a seat and when adjusting accessories
- When a user is seated in the product, any vest and belt must be secured properly
- This product is tested for resistance to ignition at level non-ignition in accordance with EN 1021-1 and EN 1021-2
- This product might lose its flame resistant characteristics if using other than original R82 cushions

Accessories and spare parts

The products from R82 can be supplied with a variety of accessories which comply with the needs of the individual user. Spare parts can be ordered on request. Find the specific accessories on our website or contact your local dealer for further information.

Disposal - 

When a product reaches the end of its lifetime, it should be separated by material type so that the parts can be recycled or disposed of properly. If required, please contact your local dealer for a precise description of each material. Please contact your local authorities to be informed of the options available for recycling in an environmentally-friendly way.

Service information

Maintenance of a medical device is wholly the responsibility of the owner of that device. Failure to maintain a device in accordance with the instructions may invalidate the device's warranty. Furthermore, failure to maintain a device may compromise the clinical condition or safety of users and/or their caregivers.

1st Day

- Read the User Guide carefully before use and store it in a safe place for future reference
- The instructions in the accompanying User Guide for the frame where the product is mounted should also be read carefully before use and stored for future reference
- Store the enclosed tools on/at the product

Daily

- Use a dry cloth to clean the product
- Visual inspection. Repair or replace any damaged or worn-out parts
- Ensure that all fasteners are in place and fitted correctly
- Check all fittings and buckles for signs of worn out parts
- Be aware of any MAX mark indications before adjustment
- Check the cover for the foam unit. If necessary, wash the cover according to the instructions on the label in the cover

Cleaning

It is important that the product is kept clean, both for the well-being of the user and for the life of the product.

It is a good idea to take the inserts out of the plastic frame / plastic shell at night. In this way, Condensation dry and odors are minimized and the life of the product is extended.

- Incontinence cover is marked with washing instructions, can be washed at 90° C and air dried
- Dirt on the plastic foam frame / plastic shell is removable, using a sponge or soft brush. A mild detergent or disinfectant may be used if necessary
- Username is given on the wash instructions for foam and plastic insertion

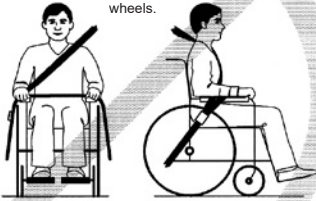
Foam units and covers

- The foam unit does not tolerate washing and must not be dried on a heater, in a drying cabinet or a dryer. As an option, a foam coating can be ordered, which can then be wiped with a damp cloth.
- The wash instructions for the cover are located at the top of the back part and at the back of the seat part
- The cover for molded Turtle units is removable, machine washable at 60 ° C and can be air dried. Always check with the washing instructions on the cover before washing
- To make sure the cushions are properly placed, you may want to put a piece of plastic over the velcro. After placing the cushions, this can easily be pulled out
- The fabric is biocompatibility tested according to ISO 10993-5: 2009

Plastic units

- The washing instructions are placed at the top of the back.
- Hand wash is preferable due to wear, but the inserts can withstand machine wash at 40 ° C. Always check with the washing instructions on the insert before washing.
- The inserts are marked with washing instructions as well as the number 1, 2 or 3. Inlay 1 is closest to the user.
- The inserts must dry at room temperature. Do not place the inserts directly against a heat source and do not dry them in the drying room or dry room as this may cause the inserts to lose their shape.
- The inserts must dry at room temperature. Do not place the inserts directly against a heat source and do not dry them in a drying room or a dryer as this may cause the inserts to lose their shape.
- The inserts are biocompatibility tested according to ISO 10993-5: 2009

Belt restraints should not be held away from the body by wheelchair components or parts, such as the wheelchair armrests or wheels.



Transportation in motor vehicles

- The molded unit is approved for transport to users in motor vehicles when mounted on an approved frame and facing the direction of travel. The following must be followed for the safety to be maintained.
- Approval is voided by changes in the unit that have not been made by a qualified professional
- The user must, if possible, be moved to one of the vehicle's fixed seats and use the vehicle seat belt
- The molded device is surrogate tested and approved according to ISO 16840-4: 2009
- The lowest maximum weight for the frame or foam / plastic unit must always be observed
- Foam units are approved for transport with a maximum load of 136 kg. Also see max weight for the frame
- Plastic units are approved for transport with a maximum load of 75 kg. Also see max weight for the frame
- If weighing below 22 kg, foam or plastic units cannot be used. An approved car seat is recommended
- The molded unit must be mounted on a frame that has been dynamically tested and approved according to ISO 7176-19: 2008

The frame with the molded device is fastened to the bottom of the motor vehicle. Follow the manufacturer's instructions for transportation in the User Guide for the relevant frame.

Transportation

- Head-support must be used
- If the backrest cannot be set to 0-10 ° relative to the vertical or the seat cannot be set at 0-30 ° relative to the horizontal, the approval for transport in a motor vehicle will be canceled in accordance with ISO 16840-4: 2009.

Tillykke med dit nye produkt fra R82 som leverer tekniske hjælpemidler til handicappede børn og voksne i hele verden. For at få fuldt udbytte af de muligheder produktet tilbyder, anbefaler vi, at du læser denne User Guide omhyggeligt før brug og gemmer den til fremtidig reference.

Formål

Turtle er formstøbte plast- og skumenheder. Det betyder, at ikke to Turtle-produkter er ens. Turtle formes ved hjælp af et aftryk af en bruger, hvilket giver præcis den støtte, som brugeren har behov for.

Turtle er klassificeret som en brugertilpasset enhed, og kun en teknisk kompetent fagperson, som er uddannet i brugen af disse produkter, må klargøre produkterne til en bruger.

Produktet er til indendørs og udendørs brug, undtagen produkter beregnet til toilet og bad, disse er tiltænkt indendørs brug. R82 påtager sig intet ansvar for skader eller personskade, hvis produktet ikke bruges til det tilsigtede formål.

Når Turtle kombineres med andre produkter. Kombinationen må ikke ændre det tilsigtede formål med produkterne og må ikke modificere produkterne på en sådan måde, så overholdelsen af de relevante krav påvirkes.

Personen, der kombinerer produkterne, skal sikre, at de relevante krav overholdes.

Eksempler på relevante krav: Justering af brugervægt/-masse af det kombinerede sæde og basis, godkendelse til transport i køretøjer af begge produkter (ISO16840-4 for sæde og ISO7176-19 for basis), materialesikkerhed (biokompatibilitet, brændbarhed), mekanisk sikkerhed (stabilitet, fare for klemning, sammenkobling), elektrisk sikkerhed.



R82 Garanti

R82 yder 2 års garanti mod fejl i materialer og fejl opstået ved fremstillingen af produktet, samt 5 års garanti på stelbrud forårsaget af defekte svejsninger i metalstellet. Garantien vil være under forbehold af kundens ansvar for at overholde serviceeftersyn og vedligehold af produktet med de intervaller, som foreskrives af leverandøren og/eller angivet i User Guide. For yderligere information henvises der til etac.com

Levetiden for dette produkt er 5 år ved normal brug og hvis al vedligeholdelse og service udføres i overensstemmelse med producentens anvisninger samt påviseligt registreres.

Garantien ydes kun i det land hvor produktet er blevet købt., og hvis produktet kan identificeres ved hjælp af serienummeret. Garantien dækker ikke hændelig skade, herunder skade forårsaget af fejlagtig anvendelse eller forsømmelse. Garantien omfatter ikke forbrugsvarer f.eks. dæk eller polstring, som er genstand for normal slitage, og som skal udskiftes regelmæssig.

Garantien dækker ikke, hvis der er anvendt andet end originale dele/tilbehør, eller hvis produktet ikke er vedligeholdt, repareret eller ændret i henhold til retningslinjer og intervaller angivet af leverandøren og/eller i User Guide. R82 forbeholder sig ret til at undersøge produktet, som er genstand for reklamation og den relevante dokumentation, før reklamationen accepteres under garanti, samt bestemme hvorvidt reklamationen skal føre til erstatning eller reparation af produktet. Det er kundens ansvar at returnere det reklamerede produkt under garanti til den adresse, hvor det er blevet købt.

Se vejledning

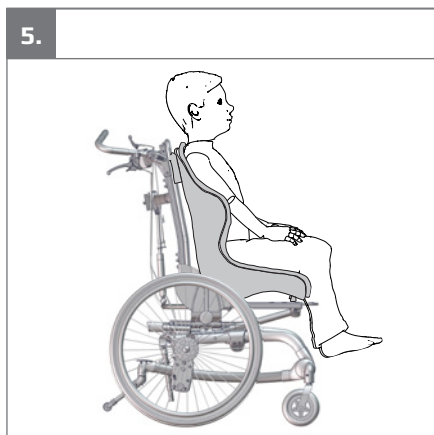
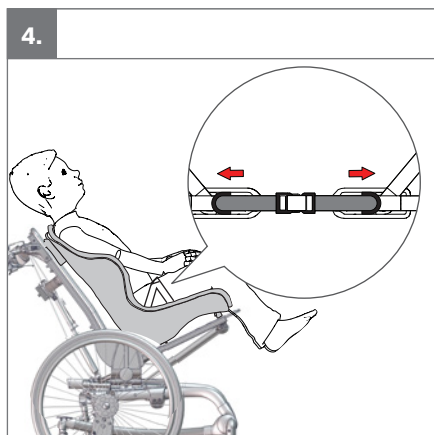
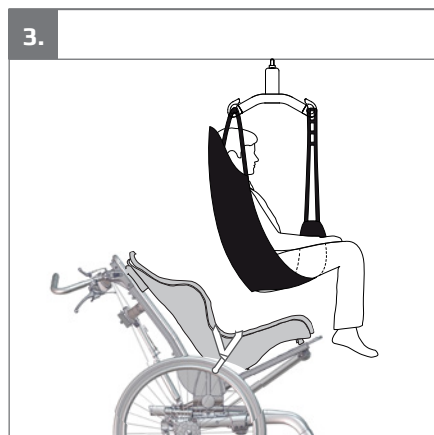
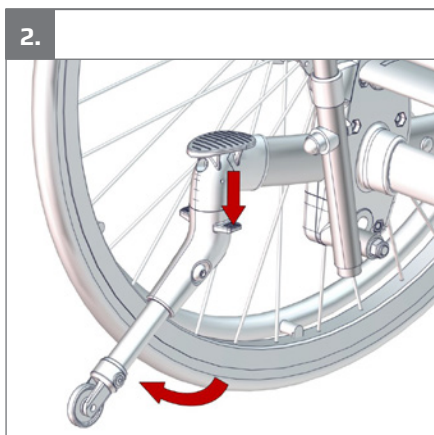
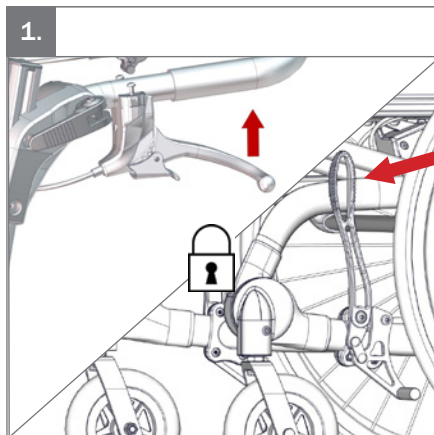
Den seneste version af denne vejledning er altid tilgængelig og kan udskrives i større format fra etac's hjemmeside

Justering

Dette produkt er udvalgt og indstillet i samarbejde med en kvalificeret professionel. Justering af produktet er med til at opretholde optimal støtte og er vigtig i forhold til brugerens vækst og udvikling. Den tilsynsførende tager ansvar for sikkerheden og effektiviteten af den korrekt justerede position. Disse indstillinger bør ikke ændres uden tilladelse fra den kvalificeret professionelle.

Placering af bruger

I formstøbt enhed på R82 stel se illustration 1-5
Kontroller altid før brug, at brugeren er korrekt placeret og sikret ved brug af seler og veste



Sikkerhed

Skilte, symboler og instruktioner placeret på dette produkt må aldrig blive dækket eller fjernet, og skal være læselige i hele produktets levetid. Ulæselige eller beskadigede tegn, symboler og instruktioner skal straks erstattes eller repareres. Kontakt din lokale forhandler for vejledning. I tilfælde af at der opstår en negativ hændelse i forbindelse med enheden rettes henvendelse til den lokale forhandler og den nationale kompetente myndighed på rettidig måde. Den lokale forhandler vil viderebringe informationen til producenten.

Hjælper

- Denne User Guide bør læses omhyggeligt før brug og gemmes til fremtidig reference. Brugers sikkerhed kan afhænge af, at anvisningerne i denne vejledning følges og at produktet anvendes korrekt
- Brug altid korrekt løfteteknik og hjælpemidler til formålet
- Efterlad aldrig brugeren i produktet uden opsyn. Sørg for konstant tilsyn fra en voksen
- Reparation/udskiftning må kun ske ved hjælp af nye originale R82 reservedele og tilbehør samt i overensstemmelse med leverandørens anvisninger
- Hvis der er tvivl om sikkerheden ved brug af dit R82 produkt, eller hvis dele skulle svigte, skal du omgående stoppe med at bruge produktet og kontakte din lokale forhandler
- Brug altid produktet i et moderat tempo. Løb ikke med produktet

Omgivelserne

- Check overfladetemperaturen på produktet, før du placerer en bruger i det. Dette gælder især for brugere med ufølsom hud, da de ikke kan mærke varmen. Hvis produktets overfladetemperaturen er over 41 ° C, så skal produktet køle af før brug
- Når brugeren flyttes i produktet fra et rum til et andet eller i en nødsituation, til et udendørs område, skal der sikres, at området er fladt og uden forhindringer.

Bruger

- Hvis brugeren er tæt på maks. belastningen og har mange ufrivillige bevægelser f.eks. rokkende, bør et produkt med større maks. belastning, eller et andet R82 produkt overvejes.

Produkt

- Produktet er konstrueret til én og samme bruger. Flere brugere må ikke benytte produktet samtidig.
- Efter enhver justering på produkt og tilbehør skal det sikres, at alle knapper, skruer og spænder er sikkerhedsmæssigt fastspændt før brug. Hold alle værktøjer utilgængelig for børn

- Bremsen og anti-tip skal aktiveres, før brugeren placeres
- Aktiver anti-tip sikringerne før vinkling af sæde og ryg
- Deaktiver anti-tip sikringerne før du krydser fortovskanter eller lignende højere end 100 mm.
- Stabiliteten af produktet skal sikres, før brugeren placeres i det
- Vi anbefaler at brugeren adviseres før vinkling af sæde og ryg
- Undersøg produktet og alt tilbehør og udskift evt. slidte dele før brug
- Pas på IKKE at klemme fingrene ved vinkling af sædet eller ståenhed samt indstilling af evt. tilbehør, f.eks. armlæn, fodstøtte og sidestøtter
- Når brugeren sidder i produktet, skal alle seler og bæltter være lukket forsvarligt
- Dette produkt er testet for resistens overfor antændelse på ikke-antændelig niveau i henhold til EN-1021-1 og EN 1021-2
- Produktet kan miste sine flammestandskarakteristika med andet end originale R82 hynder

Tilbehør og reservedele

Produkterne fra R82 kan forsynes med forskelligt tilbehør, som gør at produktet opfylder den enkelte brugers behov for støtte. Tilbehør og reservedele findes på vores hjemmeside, kontakt din lokale forhandler for yderligere information.

Bortskaffelse -

Når et produkt når slutningen af sin livscyklus, bør det skilles ad, så de forskellige materialer kan genanvendes eller bortskaffes korrekt. Kontakt din lokale forhandler, hvis der er behov for en præcis beskrivelse af hvert materiale. Kontakt venligst de lokale myndigheder for mulighederne om miljøvenlig genanvendelse eller bortskaffelse i dit område.

Service information

Vedligeholdelse af medicinsk udstyr påhviler helt og holdent ejeren af det pågældende produkt. Undladelse af at vedligeholde et produkt i henhold til vejledningen kan medføre, at garantien bortfalder. Desuden kan undladelse påvirke den kliniske tilstand eller sikkerhed for brugeren og/eller plejeren.

1. dag

- Instruktionerne i denne User Guide bør læses omhyggeligt før brug og gemmes til fremtidig reference
- Instruktionerne i den medfølgende User Guide for stellet hvorpå produktet er monteret bør ligeledes læses omhyggeligt før brug og gemmes til fremtidig reference
- Opbevar det medfølgende værktøj på/ved produktet

Dagligt

- Brug en tør klud til at rengøre produktet
- Visuel inspektion. Reparer eller udskift beskadigede eller slidte dele
- Tjek at alle seler og veste er korrekt placeret og monteret
- Tjek alle seler, veste og spænder for tegn på slitage. Udskift hvis nødvendigt
- Vær opmærksom på evt. MAX-mærker før justering
- Eftersø betrækket til skumenheden, hvis nødvendigt vask efter anvisningerne på label i betræk

Rengøring

Det er vigtigt at produktet holdes rent, både af hensyn til brugerens velbefindende og til produktets levetid.

Det er en god idé at tage indlæggene ud af plastrammen/plastskallen om natten. På denne måde kan evt. kondens tørre og lugtgener minimeres og produktets levetid forlænges.

- Inkontinensbetræk er mærket med vaskeanvisning, kan vaskes ved 90°C. og lufttørres
- Smuds på plastskumrammen/plastskallen fjernes med svamp eller blød børste. Der kan anvendes et mildt rengøringsmiddel eller desinfektionsmiddel, hvis nødvendigt
- Brugernavn er angivet på vaskeanvisningen på betræk for skum og indlæg til plastenheder

Skumenheder og betræk

- Skumenheden tåler ikke vask og må heller ikke tørres på varmelegeme, i tørreskab eller tørretumbler. Som tilvalg kan der bestilles en coating af skummet som herefter kan aftørres med en fugtig klud
- Vaskanvisningen for betræk er placeret øverste på rygdelen og bagerst på sædedelen
- Betrækket på formstøbte Turtle er aftageligt og kan maskinvaskes ved 60°C samt lufttørres. Tjek altid med vaskeanvisningen på betrækket før vask
- Betrækkene er mærket med vaskeanvisning, som også markerer placering af puderne
- For at opnå korrekt placering af hynderne, kan man med fordel lægge et stykke plastik over velcoen. Efter placering kan dette nemt trækkes ud
- Stoffet er biokompatibilitetstestet iht. ISO 10993-5:2009

Plastenheder

- Vaskeanvisningen er placeret toppen af rygdelen.
- Håndvask er at fortrække på grund af slidtage, men indlæggene tåler maskinvask på 40°C. Tjek altid med vaskeanvisningen på indlægget før vask.
- Indlæggene er mærket med vaskeanvisning samt angivelse af nummer 1, 2 eller 3. Indlæg nr. 1 er det der ligger tættest mod brugeren.
- Indlæggene skal tørre ved stuetemperatur. Indlæggene må ikke placeres direkte mod en varmekilde, og de må ikke tørres i tørretumbler eller tørretumbler, da det kan medføre at indlæggene mister deres form.
- Indlæggene er biokompatibilitetstestet iht. ISO 10993-5:2009



Persontransport i motorkøretøj

Den formstøbte skumenhed er godkendt til transport af brugere i motorkøretøjer, når denne er monteret på et godkendt stel samt vender med kørselsretningen. Nedenstående skal følges for at sikkerheden opretholdes:

- Godkendelsen bortfalder ved ændringer på skumenheden, der ikke er foretaget af en kvalificeret professionel
- Brugeren skal, hvis det er muligt, flyttes til et af køretøjets faste sæder og benytte køretøjets sikkerhedssele
- Den formstøbte enhed er surrogat testet og godkendt i henhold til ISO 16840-4:2009.
- Laveste max vægt for henholdsvis stel eller skum/plastenhed skal altid overholdes
- Skumenheder er godkendt til transport med en max belastning på 136 kg. Se også max vægt for stel.
- Plastenheder er godkendt til transport med en max belastning på 75 kg. Se også max vægt for stel
- Ved brugervægt under 22 kg kan skum eller plastenhed ikke bruges, her anbefales en godkendt autostol
- Den formstøbte enhed skal monteres på et stel der er dynamisk testet og godkendt i henhold til ISO 7176-19:2008

Stellet med den formstøbte enhed fastgøres i bunden af motorkøretøjet. Følg fabrikantens anvisninger i User Guide til det pågældende stel for transport i motorkøretøjer.

Transport

- Der skal anvendes hovedstøtte
- Kan ryggen ikke indstilles i 0-10° i forhold til lodret eller kan sædet ikke indstilles i 0-30° i forhold til vandret, så bortfalder godkendelsen for transport i motorkøretøj iht. ISO 16840-4:2009

NORSK

Gratulerer med kjøpet av ditt nye produkt fra R82, som leverer tekniske hjelpemidler til bevegelseshemmede barn og voksne i store deler av verden. For å få fullt utbytte av mulighetene som tilbys av dette produktet, anbefaler vi at du leser denne User Guide før bruk og oppbevarer den for fremtidig referanse.

Formål

Turtle består av formstøpte deler i plast og skum. Det betyr at ingen Turtle-produkter er like. Turtle formes ved hjelp av et avtrykk av en bruker, slik at den gir nøyaktig den støtten brukeren trenger.

Turtle er klassifisert som tilpassede enheter, og kun teknisk kompetente fagpersoner med opplæring i bruk av disse produktene skal klargjøre produktene for en bruker.

Produktet er ment for bruk innendørs og uten-dørs, bortsett fra Turtle-produkter som er ment for toalett og bad, disse er beregnet på innendørs bruk. R82 tar intet ansvar for skade på eiendom eller personskade hvis produktet ikke brukes til formålet det er ment for.

Når du bruker Turtle sammen med andre produkter. Kombinasjonen må ikke endre det tiltenkte formålet for noen av produktene eller modifisere produktene på en slik måte at samsvar med gjeldende krav blir påvirket.

Den som kombinerer produktene må sikre at alle gjeldende krav blir oppfylt.

Eksempler på gjeldende krav: tilpasning i forhold til brukerens vekt/kroppsmasse i det kombinerte setet og grunnlaget, godkjenning for transport i kjøretøyer for begge produkter (ISO16840-4 for sete og ISO7176-19 for grunnlag), materialsikkerhet (biokompatibilitet, brennbarhet), mekanisk sikkerhet (stabilitet, klemfare, intern sammenkobling), elektrisk sikkerhet.

R82 Garanti

R82 gir en 2 års garanti mot feil i utførelse og materialer og en 5 års garanti mot brudd i metallrammen som skyldes feil i sveisearbeidet. Garantien kan påvirkes negativt hvis kundens ansvar for å utføre service og/eller daglig vedlikehold ikke blir overholdt i samsvar med de retningslinjene og intervallene som er foreskrevet av leverandøren og/eller slik det framgår av User Guide. For ytterligere informasjon henviser vi til hjemmesiden for etac under nedlastinger.

Produktets levetid ved normal bruk er 5 år, hvis alt vedlikehold og service utføres i henhold til produsentens anvisninger, og kan dokumenteres.

Garantien er bare gyldig i landet der produktet ble kjøpt, og hvis produktet kan identifiseres med serienummeret. Garantien dekker ikke tilfeldig skade, inkludert skade forårsaket ved feil bruk eller forsømmelse. Garantien omfatter ikke slitedeler f.eks. dekk eller polstring, som er utsatt for normal slitasje, og som skal skiftes regelmessig.

Garantien anses som ugyldig hvis andre enn originale deler/tilbehør er brukt, eller hvis produktet ikke har vært vedlikeholdt, reparert eller endret i samsvar med retningslinjene og intervallene som er foreskrevet av leverandøren og/eller oppgitt i User Guide. R82 forbeholder seg retten til å innsisere det produkt som det er kommet klage på, samt relevant dokumentasjon, før garantikravet aksepteres, og for å avgjøre om det defekte produktet kan bli erstattet eller reparert. Det er kundens ansvar å returnere varen som skal repareres i garantitiden til adressen hvor det er kjøpt.

Sjekk bruksanvisning på nett

Nyeste versjon av bruksanvisningen er alltid tilgjengelig, og kan skrives ut fra etac nettsted



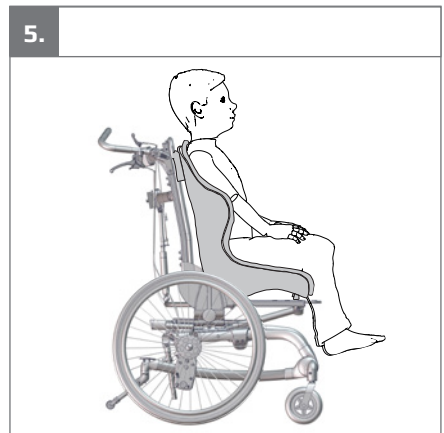
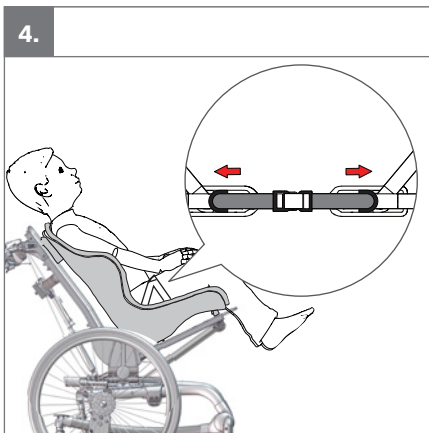
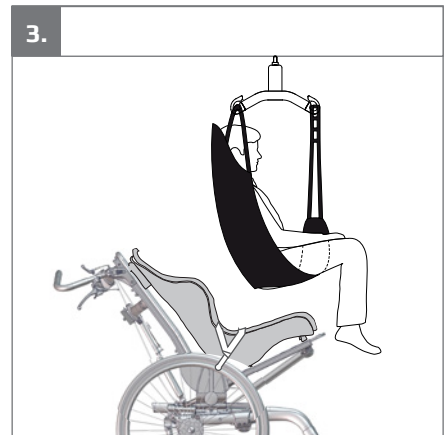
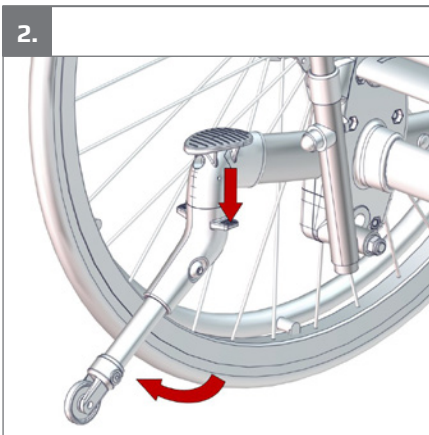
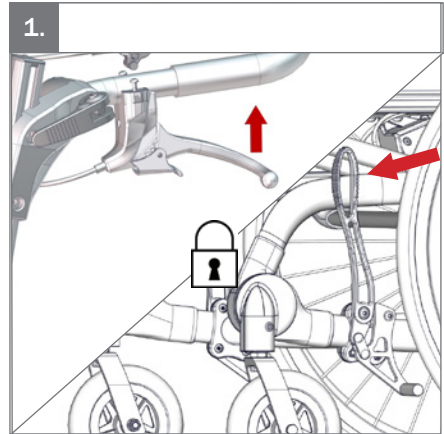
Justering

Dette produktet er utvalgt og konfigurert i samarbeid med en kvalifisert fagperson. Justering av produktet bidrar til å opprettholde optimal støtte, og er viktig med tanke på brukers vekst og utvikling. Pleieren har ansvaret for den justerte posisjonens sikkerhet og effektivitet. Disse innstillingene skal ikke endres uten tillatelse fra den kvalifiserte fagpersonen.

Plassering av brukeren

I formstøpt enhet på R82-ramme, se illustrasjon 1-5

Kontroller alltid at brukeren er riktig posisjonert og sikret med bånd og vester



Sikkerhet

Merker, symboler og instruksjoner som er plassert på dette produktet skal aldri tildekkes eller fjernes, og må være til stede og lett leselige i hele produktets levetid. Uleselige eller skadede merker, symboler og instruksjoner skal erstattes eller repareres umiddelbart. Kontakt din lokale forhandler for å få instruksjoner. Hvis det skulle oppstå en negativ hendelse knyttet til enheten, skal hendelsen rapporteres til din lokale forhandler og de nasjonale kompetente myndighetene så raskt som mulig. Den lokale forhandleren vil videregående informasjonen til produsenten.

Omsorgsperson

- Les bruksanvisningen nøye før bruk, og oppbevar den for fremtidig referanse. Feil bruk av dette produktet kan forårsake alvorlig skade på brukeren
- Bruk alltid riktig løfteteknikk og hjelpemidler for formålet
- Forlat aldri brukeren uten tilsyn i dette produktet. Påse at brukeren har permanent tilsyn av en voksen
- Reaparasjon/utskifting må kun foretas ved hjelp av nye originale R82 reservedeler og beslag og utføres i samsvar med retningslinjene og serviceintervallene som er foreskrevet av leverandøren
- Hvis du er i tvil til om at produktet er trygt å bruke, eller om noen av delene skulle svikte, skal bruk av produktet opphøre umiddelbart. Kontakt din lokale forhandler så snart som mulig
- Bruk alltid produktet med moderat fart. Ikke løp med produktet
- Utfør alle posisjonelle justeringer på produkt og tilbehør, og sørg for at alle knoter, skruer og spenner er godt festet før bruk. Oppbevar alt verktøy utilgjengelig for barn
- Aktiver bremsene før brukeren plasseres i produktet
- Påse at stabiliteten av produktet opprettholdes før du plasserer brukeren i det
- Vi anbefaler at brukeren informeres før vinkling av sete og rygg utføres
- Påse at felger og dekk fungerer og er i orden før bruk
- Kontrollerer produkt og alt tilbehør, og erstatt eventuelle utslitte deler før bruk
- Vær forsiktig for å unngå at fingrene kommer i klemme ved vinkling av setet eller justering av tilbehør.
- Eventuelle vester og remmer må være riktig sikret når en bruker sitter i produktet

Miljø

- Kontroller overflatetemperaturen på produktet før brukeren plasseres i det. Dette gjelder spesielt brukere med ufølsom hud, fordi de ikke kan føle varmen. Hvis overflatetemperaturen er høyere enn 41 °C, må produktet kjøles ned før bruk
- Bruk dette produktet på jevnt underlag uten hindringer. Vær oppmerksom på redusert manøvringssevne på glatt underlag

Bruker

- Dersom brukerens vekt er nær anbefalt maks-vekt, og / eller har mange ukontrollerte bevegelser som f.eks. rokking, bør et produkt i en større størrelse med høyere maks-vekt, eller et annet R82 produkt, vurderes


Produkt

- Produktet er formstøpt kun for én bruker. Flere brukere er ikke tillatt
- Bremsen og veltesikringen må aktiveres før en bruker posisjoneres

- Utfør alle posisjonelle justeringer på produkt og tilbehør, og sørg for at alle knoter, skruer og spenner er godt festet før bruk. Oppbevar alt verktøy utilgjengelig for barn
- Aktiver bremsene før brukeren plasseres i produktet
- Påse at stabiliteten av produktet opprettholdes før du plasserer brukeren i det
- Vi anbefaler at brukeren informeres før vinkling av sete og rygg utføres
- Påse at felger og dekk fungerer og er i orden før bruk
- Kontrollerer produkt og alt tilbehør, og erstatt eventuelle utslitte deler før bruk
- Vær forsiktig for å unngå at fingrene kommer i klemme ved vinkling av setet eller justering av tilbehør.
- Eventuelle vester og remmer må være riktig sikret når en bruker sitter i produktet
- Produktet er testet for antennelighet iht. EN 1021-1 og EN 1021-2, og er klassifisert som ikke-antennelig.
- Produktet kan imidlertid miste flammemotstanden hvis det brukes andre puter enn de originale R82-putene.

Tilbehør og reservedeler

Produkter fra R82 kan leveres med en rekke tilbehør som tilfredsstiller den enkelte brukers behov. Reservedeler er tilgjengelige, og bestilles på kundens forespørsel. Finn det spesifikke tilbehør på vår hjemmeside, eller kontakt din lokale forhandler for ytterligere informasjon.

Resirkuleringsinformasjon 

Når et produkt skal kasseres, bør materialene inndeles etter type, slik at delene kan resirkuleres eller avhendes på en forskriftsmessig måte. Hvis nødvendig, ta kontakt med din lokale forhandler for en presis beskrivelse av hvert materiale. Ta kontakt med lokale myndigheter vedrørende muligheter for resirkulering, eller en annen miljøvennlig måte å avhende et bruk produkt på.

Serviceinformasjon

Vedlikehold av medisinsk utstyr er eierens ansvar. Hvis det er mangelfullt vedlikehold av produktet i henhold til bruksanvisningen, kan dette ugyldiggjøre garantier knyttet til produktet. Ytterligere unnlattelse av vedlikeholdet kan påvirke den kliniske tilstanden eller sikkerheten for brukere og / eller deres omsorgspersoner.

1. dag

- Les bruksanvisningen nøye før bruk og oppbevar den på et trygt sted for fremtidig referanse
- Instruksjonene i den vedlagte bruksanvisningen for rammen der produktet er montert, skal også leses nøye før bruk og oppbevares for senere bruk
- Oppbevar det vedlagte verktøyet i posen på rammen

Daglig

- Bruk en tørr klut til å rengjøre produktet
- Visuell inspeksjon. Reparer eller bytt skadede eller slitte deler
- Pass på at alt utstyr er på plass og korrekt montert
- Kontroller alt utstyr og spenner for tegn på utslitte deler
- Vær oppmerksom på eventuelle MAX merker før justering
- Kontroller trekket på skumenheten. Vask om nødvendig trekket ifølge instruksjonene på etiketten i trekket.

Rengjøring

Det er viktig at produktet holdes rent, av hensyn til både brukerens velvære og produktets levetid.

Det er en fordel å ta innleggene ut av plastrammen/plastskallet om natten. På denne måten kan kondens tørke, ubehagelig lukt reduseres til et minimum og produktets levetid forlenges.

- Inkontinenstrekket er merket med vaskeanvisninger. Det kan vaskes på 90 °C og lufttørkes.
- Smuss på rammen i plastskum/plastskallet kan fjernes med en svamp eller en myk børste. Et mildt vaskemiddel eller desinfeksjonsmiddel kan brukes om nødvendig
- Brukernavnet er angitt på vaskeanvisningene for skum- og plastinnleggene.

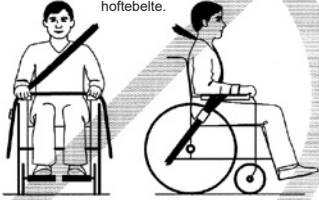
Skumenheter og trekk

- Skumenheten tåler ikke vask, og må ikke tørkes på varmeovn, i tørkeskap eller tørketrommel. Skumovertrekk kan bestilles som tilleggsutstyr, og kan tørkes av med en fuktig klut.
- Vaskeanvisningene for trekket er plassert på oversiden av ryggdelen og på baksiden av setedelen.
- Trekk til støpte Turtle-enheter kan fjernes, vaskes i maskin på 60 °C og lufttørkes. Kontroller alltid vaskeanvisningene på trekket før vask.
- Du kan sette en plastbit over borrelåsen for å sikre at putene plasseres riktig. Når putene er plassert, kan den enkelt trekkes ut.
- Stoffet er testet for biokompatibilitet i henhold til ISO 10993-5: 2009.

Plastenheter

- Vaskeanvisningen er plassert øverst på ryggen.
- Håndvask anbefales av hensyn til slitasje, men innleggene tåler maskinvask på 40 °C. Kontroller alltid vaskeanvisningene på innlegget før vask.
- Innleggene er merket med vaskeinstruksjoner samt tallet 1, 2 eller 3. Innlegg 1 er nærmest brukeren.
- Innleggene skal tørkes ved romtemperatur. Innleggene må ikke plasseres direkte mot en varmekilde, og må ikke tørkes i tørkeskap eller tørkerom. Det kan føre til at innleggene endrer form.
- Innleggene skal tørkes ved romtemperatur. Innleggene må ikke plasseres direkte mot en varmekilde, og må ikke tørkes i tørkerom eller tørketrommel. Det kan føre til at innleggene endrer form.
- Innleggene er testet for biokompatibilitet i henhold til ISO 10993-5: 2009.

Figur 4: Beltet må ikke gå over deler av stolen, f.eks armlener eller hjul. Det er ikke nok å bruke KUN hoftebelte.



Transport i motorkjøretøy

Den formstøpte enheten er godkjent for transport av brukere i motorkjøretøy når den er montert i en godkjent ramme og er vendt i kjøretretningen. Følgende må overholdes for å opprettholde sikkerheten.

- Godkjenningen blir ugyldig hvis andre enn kvalifiserte fagpersoner foretar endringer på enheten
- Brukeren skal om mulig flyttes til et av de faste setene i kjøretøyet, og skal bruke sikkerhetsbeltet i kjøretøyet
- Den formstøpte enheten er surrogattestet og godkjent ifølge ISO 16840-4: 2009
- Den laveste maksimumsvekten for rammen eller skum-/plastenheten skal alltid følges
- Skumenheter er godkjent for transport med en last på maksimalt 136 kg. Se også rammens maksimumsvekt
- Plastenheter er godkjent for transport med en last på maksimalt 75 kg. Se også rammens maksimumsvekt
- Skum- eller plastenheter kan ikke brukes ved en vekt på under 22 kg. Det anbefales å bruke et godkjent sete for bilmontering
- Den formstøpte enheten skal monteres på en ramme som er dynamisk testet og godkjent ifølge ISO 7176-19: 2008

Rammen med den formstøpte enheten festes til gulvet i motorkjøretøyet. Følg produsentens instruksjoner for transport i bruksanvisningen for den aktuelle rammen.

Transport

- Hodestøtte skal brukes
- Hvis ryggen ikke kan stilles inn på 0-10° i forhold til lodrett eller setet ikke kan stilles inn på 0-30° i forhold til vannrett, oppheves godkjenningen for transport i motorkjøretøy ifølge ISO 16840-4: 2009.

Поздравляем Вас с приобретением Вашего нового изделия от R82 — компании, поставляющей по всему миру технические приспособления и устройства для детей и взрослых со специфическими потребностями. Чтобы в полной мере воспользоваться преимуществами данного изделия, перед его использованием необходимо прочитать данное руководство и сохранить его для получения справочной информации в будущем.

Предназначение

Изделие Turtle изготавливается из пластмассы и пеноматериала, формуемых методом литья. Это означает, что совершенно одинаковых изделий Turtle не бывает. Изделие Turtle формируется с использованием отпечатка конкретного пользователя, что обеспечивает точную поддержку тела пользователя в нужных местах.

Изделие Turtle относится к оборудованию индивидуального изготовления, и подготовить это изделие для пользователя может только технически компетентный специалист, обученный тому, как использовать это изделие.

Изделие предназначено для использования как в помещении, так и на улице; исключения составляют изделия Turtle, предназначенные для использования в туалете и ванной комнате, они предназначены только для использования внутри помещений. Компания R82 не несет ответственности за ущерб или травмы в результате использования изделия не по назначению.

Сочетание Turtle с другими продуктами. Сочетание с другими продуктами не должно менять назначение ни одного из продуктов или модифицировать какой-либо из продуктов так, чтобы это повлияло на соответствие применимым требованиям.

При сочетании продуктов должно обеспечиваться соблюдение применимых требований.

Примеры применимых требований: выравнивание центра тяжести пользователя в соединенном с основанием сиденье, разрешение на перевозку обоих продуктов в транспортных средствах (ISO16840-4 для сиденья и ISO7176-19 для основания), безопасность материалов (биосовместимость, воспламеняемость), механическая безопасность (стабильность, риск сжатия, взаимные соединения), электробезопасность.



Гарантия R82

R82 предлагает 2-летнюю гарантию, которая распространяется на дефекты изготовления и материалов, и 5-летнюю гарантию, которая распространяется на случаи повреждения металлической рамы вследствие дефектов сварки. В случае несоблюдения покупателем его обязательств по обслуживанию и/или ежедневному уходу в соответствии с инструкциями и интервалами, предусмотренными поставщиком и/или указанными в данном руководстве, гарантия будет отменена. Для получения дополнительной информации см. главную страницу веб-сайта компании etac, раздел «Материалы для скачивания».

При нормальной эксплуатации и выполнении технического обслуживания и ухода в соответствии с инструкциями производителя (при условии наглядно зафиксированных данных) срок службы данного изделия составляет 5 лет.

Гарантия действительна только в той стране, где изделие было приобретено, и если возможна идентификация изделия по его серийному номеру. Гарантия не распространяется на случайные повреждения, в том числе повреждения вследствие ненадлежащего или небрежного использования. Гарантия не распространяется на расходные материалы (например, шины и обивку), подверженные естественному износу и требующие периодической замены.

Гарантия аннулируется и становится недействительной в случае, если не используются оригинальные запчасти/аксессуары, или если данное изделие обслуживается, ремонтируется или модифицируется не в соответствии с предписаниями и интервалами, установленными поставщиком и/или указанными в User Guide, установленными поставщиком и/или указанными в инструкциях по использованию. Компания R82 сохраняет за собой право осмотра изделия, по которому предъявляется требование об исполнении гарантии, и соответствующей документации, прежде чем согласиться с обоснованностью претензий по гарантии и принять решение о необходимости замены или ремонта дефектного изделия. Покупатель обязан вернуть изделие, по которому предъявляется требование об исполнении гарантии, по адресу покупки данного изделия. Гарантия предоставляется компанией R82 или, впоследствии, компанией-дилером, распространяющей продукцию R82.

Прочитайте инструкции

Последняя версия этой инструкции всегда доступна на веб-сайте etac и ее можно напечатать в большем размере

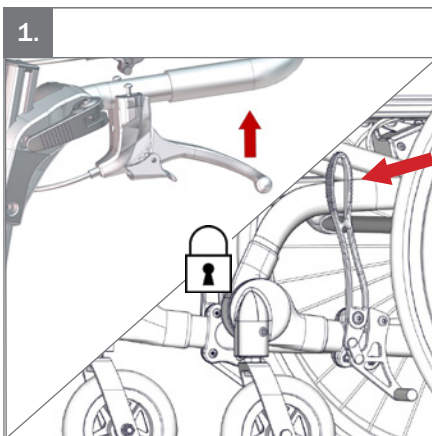
Регулировка

Это изделие выбирается и изготавливается в сотрудничестве с квалифицированным специалистом. Регулировка изделия помогает обеспечить оптимальную поддержку и имеет важное значение для роста и развития пользователя. Ответственность за безопасность и эффективность использования правильно отрегулированного изделия возлагается на лицо, осуществляющее уход. Настройки не должны изменяться без разрешения квалифицированного специалиста.

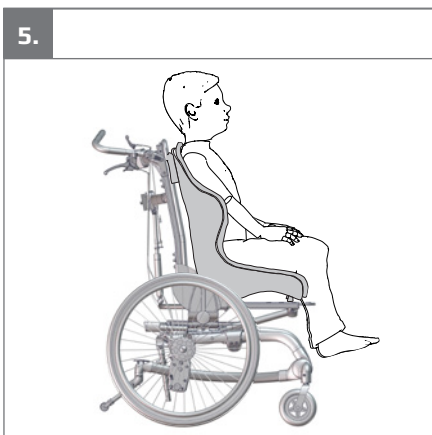
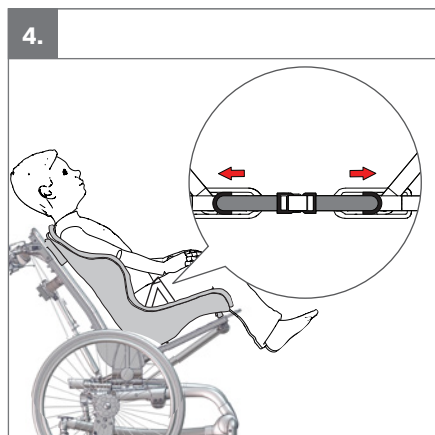
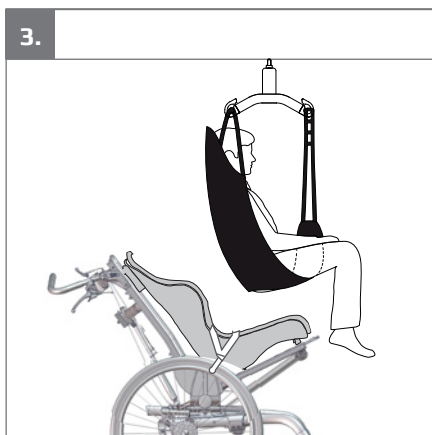
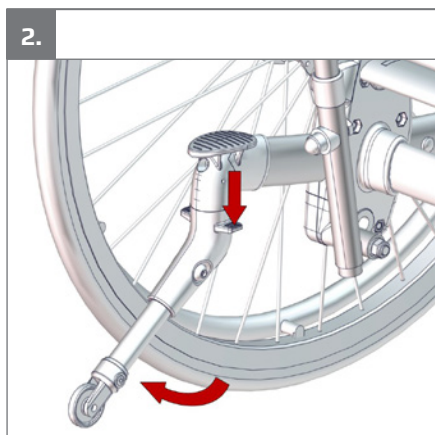
Расположение пользователя

В формованном элементе на раме R82 см. на рис. 1–5

Всегда проверяйте правильность расположения и закрепления пользователя ремнями и жилетами



RU



Безопасность

Знаки, условные обозначения и инструкции, размещенные на данном изделии, ни в коем случае нельзя закрывать или удалять — они должны оставаться на изделии в читаемом виде на протяжении всего срока его службы. Незамедлительно замените или восстановите знаки, условные обозначения и инструкции, которые были повреждены или стали нечитаемыми. Для получения инструкций обратитесь к дилеру в Вашем регионе. В случае неблагоприятного события, связанного с использованием этого устройства, необходимо своевременно связаться со своим региональным дилером и соответствующим компетентным государственным органом, чтобы сообщить о данном инциденте. Региональный дилер передаст эту информацию производителю.

Лицо, осуществляющее уход за инвалидом

- Перед использованием данного изделия внимательно прочитайте все инструкции и сохраните их для использования в будущем. Неправильное использование данного изделия может стать причиной получения его пользователем серьезных травм
- Для этой цели следует всегда использовать надлежащие методы подъема и соответствующие вспомогательные приспособления
- Никогда не оставляйте пользователя в данном изделии без присмотра. Необходимо обеспечить постоянное наблюдение со стороны взрослого
- Ремонт/замена компонентов необходимо осуществлять только с использованием новых оригинальных запчастей и приспособлений производства R82, а также в соответствии с предписаниями и интервалами обслуживания, установленными поставщиком
- Если у Вас возникли какие-либо сомнения относительно возможности продолжения безопасного использования Вашего изделия от R82, или в случае потенциального отказа каких-либо его компонентов, незамедлительно приостановите использование данного изделия и как можно скорее свяжитесь с дилером в Вашем регионе
- Всегда перемещайте изделие с умеренной скоростью. Запрещается бежать, перемещая изделие

Окружающая среда

- Перед размещением пользователя в изделие проверьте температуру поверхности изделия. Это особенно важно для пользователей с нечувствительной кожей, поскольку они не могут чувствовать жар. Если температура поверхности превышает 41 °C, дайте изделию остыть перед использованием.
- Используйте данное изделие на ровной поверхности без каких-либо препятствий. Помните о пониженной маневренности на скользкой дороге.

Пользователь

- Если вес пользователя приближается к макс. допустимому для данного изделия и/или пользователь выполняет много произвольных движений, например, раскачивание, следует рассмотреть возможность использования большего по размеру изделия с более высокой макс. нагрузкой по весу или другого изделия от компании R82

Изделие

- Продукт формируется только под одного пользователя. Использование изделия несколькими пользователями не допускается
- Перед размещением пользователя в изделие необходимо активировать тормоз и устройство, предотвращающее опрокидывание
- Выполните все позиционные регулировки на изделии и аксессуарах, а также удостоверьтесь в том, что все ручки, винты и пряжки надежно закреплены перед использованием данного изделия. Храните все инструменты в недоступном для детей месте
- Активируйте тормоза, прежде чем разместить пользователя в данном изделии
- Убедитесь в устойчивости данного изделия, прежде чем разместить в нем пользователя.
- Перед тем, как отклонить спинку или сиденье целиком, сообщите об этом человеку, находящемуся в кресле-коляске.
- Перед использованием данного изделия убедитесь в том, что его колеса и шины полностью функционируют и надежно закреплены
- Перед использованием осмотрите данное изделие, а также все его аксессуары, и замените все изношенные детали
- Следите за тем, чтобы не прижать пальцы при наклоне сиденья и регулировке принадлежностей.
- Когда пользователь находится в изделии, все жилеты и ремни должны быть надежно закреплены
- Данное изделие протестировано на предмет стойкости к воспламенению на уровне невоспламенения в соответствии со стандартами EN 1021-1 и EN 1021-2 и
- Данное изделие может утратить свою огнестойкость в случае его использования с подушками, не являющимися оригинальной продукцией компании R82

Информация об обслуживании

Техническое обслуживание данного медицинского устройства полностью является ответственностью его владельца. Следствием несоблюдения требований в отношении технического обслуживания данного устройства в соответствии с инструкциями может стать аннулирование гарантии по данному устройству. Более того, несоблюдение требований в отношении технического обслуживания данного устройства может поставить под угрозу клиническое состояние или безопасность пользователей и/или лиц, осуществляющих уход за ними.

1-й день

- Перед использованием данного изделия внимательно прочитайте инструкции по его использованию и сохраните их в надежном месте для последующего использования
- Кроме того, следует внимательно прочитать и сохранить для дальнейшего использования инструкции, изложенные в руководстве пользователя рамы, в которую устанавливается изделие.
- Храните прилагающиеся инструменты на/в изделии

Ежедневно

- Используйте сухую тряпку для очистки данного изделия
- Визуальный осмотр. Отремонтируйте или замените все поврежденные или изношенные детали
- Убедитесь в том, что все крепежные детали на месте и правильно установлены
- Проверьте все приспособления и пряжки на предмет изношенных деталей
- Изучите все отметки максимальных уровней перед выполнением регулировки
- Проверьте чехол элемента, изготовленного из пеноматериала. При необходимости постирайте чехол в соответствии с инструкциями на его этикетке.

Чистка

Изделие важно содержать в чистоте — как для здоровья пользователя, так и для продления срока службы.

На ночь рекомендуется вынимать вставки из пластмассовой рамы/оболочки. Это позволит высыхать попавшему на них поту, свести к минимуму запахи и продлить срок службы изделия.

- Урологический чехол имеет этикетку с инструкциями по стирке; его можно стирать при 90 °C и сушить на воздухе.
- Грязь на раме для пеноматериала/пластмассовой оболочке может быть удалена с помощью губки или мягкой щетки. Если необходимо, можно использовать мягкое моющее или дезинфицирующее средство.
- На этикетке с инструкциями по стирке вставок из пеноматериала и пластмассы указывается имя пользователя.

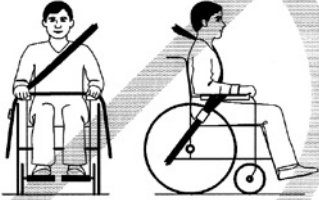
Элементы из пеноматериала и чехлы

- Пеноматериал не подлежит стирке; запрещается также сушить его на обогревателе, в сушильном шкафу или сушильном барабане. По заказу можно получить пеноматериал с покрытием, которое можно протирать влажной тканью.
- Инструкции по стирке чехла можно найти в верхней части спинки и на задней части сиденья.
- Чехол для формованных элементов Turtle снимается; допускается его машинная стирка при 60 °C и сушка на воздухе. Перед стиркой всегда сверяйтесь с инструкциями по стирке на чехле.
- Для правильного размещения подушек можно поверх липучки положить кусок пластика. После размещения подушек пластик можно легко извлечь.
- Ткань протестирована на биосовместимость в соответствии с ISO 10993-5: 2009.

Пластмассовые элементы

- Ярлык с инструкциями по стирке находится в верхней части спинки.
- Ручная стирка предпочтительнее из-за меньшего износа, но вставки могут выдерживать машинную стирку при 40 °C. Перед стиркой всегда сверяйтесь с инструкциями по стирке на вставке.
- Вставки промаркированы инструкциями по стирке, а также пронумерованы как 1, 2 или 3. Слой 1 расположен ближе к пользователю.
- Вставки необходимо сушить при комнатной температуре. Не размещайте вставки непосредственно у источника тепла и не сушите их в сушильном шкафу или в сухом помещении, так как это может привести к деформации вставок.
- Вставки необходимо сушить при комнатной температуре. Не размещайте вставки непосредственно у источника тепла и не сушите их в сушильном шкафу или сушильном барабане, так как это может привести к деформации вставок.
- Вставки протестированы на биосовместимость в соответствии с ISO 10993-5: 2009.

Такие ограничения как подлокотники или колеса не должны препятствовать правильному закреплению ремня.



Транспортировка в автомобиле

При условии установки на разрешенной к применению раме и размещении пользователя лицом в направлении движения, формованный элемент разрешено использовать для транспортировки пользователя на автомобиле. Для обеспечения безопасности необходимо соблюдать следующие требования.

- В случае внесения в изделие изменений, которые не были сделаны квалифицированным специалистом, разрешение аннулируется.
- Если возможно, следует переместить пользователя на одно из фиксированных кресел автомобиля и использовать ремень безопасности автомобиля
- Формованное устройство прошло упрощенные испытания и одобрено к применению в соответствии с ISO 16840-4: 2009
- Всегда соблюдайте требования к минимальному и максимальному весу для рамы или элемента из пеноматериала
- При транспортировке максимальная разрешенная нагрузка для изделий из пеноматериала составляет 136 кг. Также см. максимальную нагрузку для рамы
- При транспортировке максимальная разрешенная нагрузка для изделий из пластмассы составляет 75 кг. Также см. максимальную нагрузку для рамы
- Запрещается использовать изделия из пеноматериала или пластмассы при нагрузке менее 22 кг. В этом случае рекомендуется использовать сертифицированное автомобильное сиденье
- Формованный элемент должен быть установлен на раме, которая была динамически протестирована и разрешена к использованию в соответствии с ISO 7176-19: 2008
- Рама с формованным устройством крепится к днищу салона автомобиля. Следуйте инструкциям изготовителя в отношении транспортировки, изложенным в руководстве пользователя соответствующей рамы.

Транспортировка

- Обязательно используйте устройство для поддержки головы
- Если спинка кресла не может быть установлена под углом 0–10° относительно вертикали или под углом 0–30° относительно горизонтали, разрешение на перевозку в автомобиле аннулируется в соответствии с ISO 16840-4: 2009.



nothing compares to a smile!



R82 A/S

Parallevej 3
8751 Gedved
Denmark
Tel +45 79 68 58 88
Fax +45 75 66 51 92
etac.com

Supplier for:
Rest of the world

DISTRIBUTOR: