

Multi Frame:x

Exploded views / Part lists

Rev. date (2023.06)

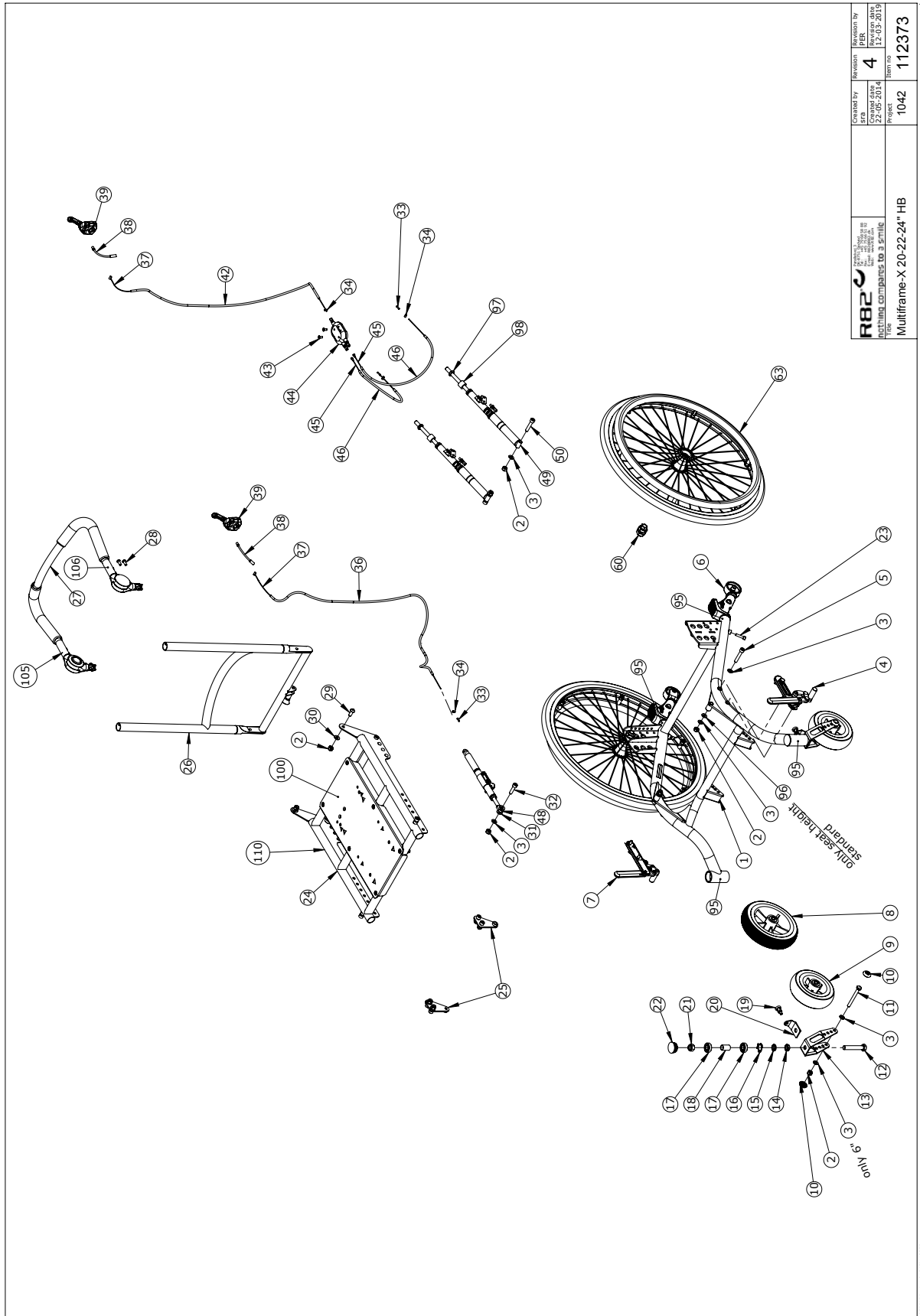
On the following pages you will find the parts used to assemble this product. Please note that some spare parts cannot be purchased individually but are part of a complete kit. Please also note that for some spare parts extra delivery time may occur.



Contents

Multi Frame:x 20" 22" 24" Handbrake	3
Item numbers for Multi Frame:x 20" 22" 24" Handbrake.....	4
Multi Frame:x 20" 22" 24" Handbrake/Drum brake (112374).....	6
Item numbers for Multi Frame:x 20" 22" 24" Handbrake/Drum brake.....	7
Left side rear wheel handbrake (100978).....	9
Item numbers for Left side rear wheel handbrake	9
Right side rear wheel handbrake 20" 22" 24"(100992).....	10
Item numbers for Right side rear wheel handbrake 20" 22" 24"	10
Multi Frame:x 12½" handbrake (112375).....	11
Item numbers for Multi Frame:x 12½" Handbrake.....	12
Multi Frame:x 12½ Handbrake/Drum brake (112665).....	14
Item numbers for Multi Frame:x 12½ Handbrake/Drum brake	15
Handbrake- left side (100510)	17
Item numbers for Handbrake- left side.....	17
Handbrake- right side (100504)	18
Item numbers for Handbrake- right side.....	18
Seat size 3 (111375).....	19
Item numbers for Seat size 3	19
Back (111377)	20
Item numbers for Back	20
Handbrace (100744)	21
Item numbers for Handbrace	21
Parted foot rests (104168).....	22
Item numbers for Parted foot rests.....	22
Mudguard (112566).....	23
Item numbers for Mudguard.....	23
Vent tray (111359).....	24
Item numbers for Vent tray	24
Adaptor for x:panda shape size 3, kit 905090	25
Item numbers for Adaptor for x:panda shape size 3, kit 905090	25

Multi Frame:x 20" 22" 24" Handbrake

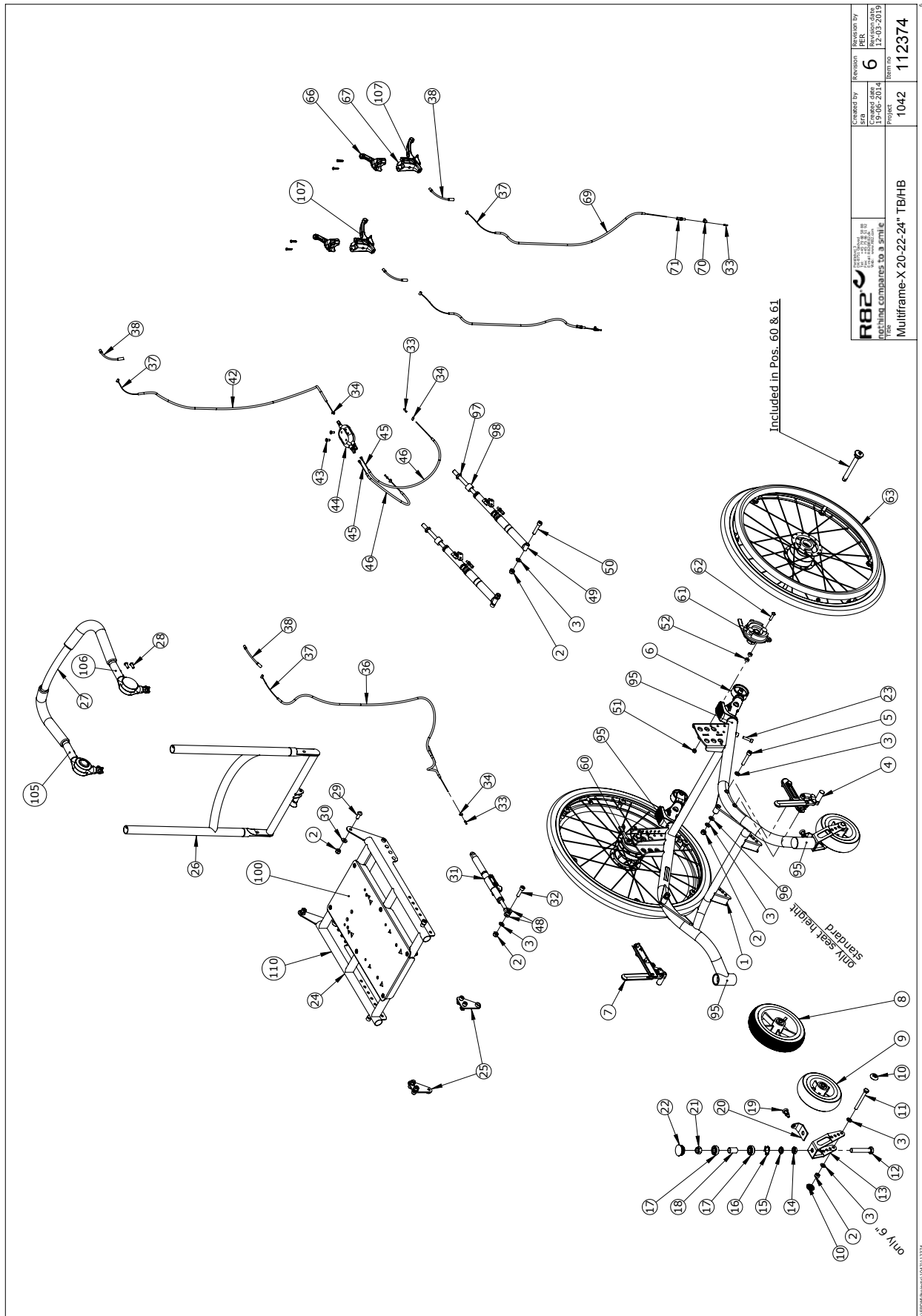


Item numbers for Multi Frame:x 20" 22" 24" Handbrake

Position	No.	Description	Quantity	Unit of Measure	Ean code
1	100924-35	Basic frame welded Painted	STK	1	5707292631718
2	1607000	Lock nut 8mm, large pack	STK	9	5707292141378
3	1103200	Fazet washer 8mm	STK	9	5707292140296
4	100978	Left side brake rear	STK	1	5707292593153
5	0603500	Insex screw 8x45	STK	2	5707292138231
6	P-960953	Anti-tip device, Multi Frame:x	SÆT	1	5707292604330
7	100992	Right side brake 20-22-24 rear	STK	1	5707292593054
8	3007901	Wheel Kudu, 7" - tyre black	STK	2	5707292587343
9	3007736-1	Wheel 140x40mm with rubber	STK	2	5707292558213
10	109378	Wheel protector	STK	2	5707292581303
11	1907150	Steel bolt 8x75mm	STK	2	5707292142474
12	1073665	Steel bolt M12X70	STK	2	5707292589422
13	77980	FRONT FORK 20 - 22"	STK	2	5707292534132
14	1760012	KONTRANUT M12,FZB	STK	2	5707292519078
15	111853	Stop washer ø12,2xø20x3,7	STK	2	5707292587374
16	6108150	Spring screw 29,57x17,48	STK	2	5707292378200
17	2985210	Ball bearing 02 6001 2rs	STK	4	5707292379412
18	101380	DISTANCE BUSH FOR WHEEL	STK	2	5707292566904
19	0380184	Spec. Locking house M10x1,28mm	STK	2	5707292366030
20	78395-01	Direction lock painted	STK	2	5707292599278
21	1608000	Lock nut 12mm, large pack	STK	2	5707292141392
22	2985000	Pressureplug black soft rubber	STK	2	5707292145314
23	0602401	Insex screw 6x30	STK	2	5707292138125
24	111375	Seat assembly size 3	STK	1	5707292592620
25	P-961030-50	Kit for +50 mm seat adjustment	SÆT	1	5707292604309
25	P-961030-25	Kit for +25 mm seat adjustment	SÆT	1	5707290000000
26	111377	Back assembly size 3	STK	1	5707292592606
27	100744	Hand brace for Multi frame x	STK	1	5707292592781
29	0662000	Button head screw 8x20 stainl.	STK	2	5707292139573
30	1310717	Nylon washer, nat o17-8,4x2mm	STK	2	5707292140821
31	134728	Spring stopper 260/215	STK	1	5707292807922
32	0602600	Insex 8x30	STK	1	5707292138170
33	0387000	End nipple for outer casing	STK	3	5707292136091
34	0388006	Screwnipple 5x7,5mm	STK	3	5707292136114
36	5002951	Wire f/tiger,panther Ø200+10cm	STK	1	5707292154644
37	0371853	Strained wires 1,5mm 190 cm.	STK	2	5707292135889
38	0380060	Flexible v-brake pipe.	STK	2	5707292425195
41	0371853	Strained wires 1,5mm 190 cm.	STK	1	5707292135889
42	5002951	Wire f/tiger,panther Ø200+10cm	STK	1	5707292154644
43	0631862	Insex uh. 5x12, FZB	STK	2	5707292352293
44	3503542	Box - 2-1 braking cables	STK	1	5707292600608
45	0371850	Streched wire 1,5-19tr.1,tig.	STK	2	5707292135872
46	5002997	Braking cable, rabbit, 35 cm	STK	2	5707292436009
48	1310717	Nylon washer, nat o17-8,4x2mm	STK	2	5707292140821
49	2207090	Gas Springstopper adjuster	STK	2	5707292592019
50	0603455	Insex M8x40, fzb, st 12.9	STK	2	5707292482853
60	2983065	Quickrelease w/db incl.bushing	STK	2	5707292577566
63	3202010	20" wheel, no brake, air,black	STK	2	5707292584045
63	3202210	22" wheel no brake, air, black	STK	2	5707292584090

Position	No.	Description	Quantity	Unit of Measure	Ean code
63	3202410	24" wheel, no brake, air,black	STK	2	5707292584137
63	3102215	22" hjul no brake flexel	STK	2	5710000000000
63	3102415	24" wheel, no brake, mas,black	STK	2	5710000000000
67	3503535	Brake parking lever wo/clamp	STK	2	5707292413536
95	0494524	Refleks Ø22mm grey	STK	4	5707292623911
96	1310711	Nylon washer 15x8,4x1,5mm	STK	2	5707292429933
96	1310600	Nylon washer din 125 6	STK	2	5707292140739
97	1760010	Compensating nut M10,fzb	STK	2	5707292141514
98	1357510	Distance pcs 20x8,4x4mm	STK	2	5707292598530
100	0494085	Reading instruction	STK	1	5707292786111
105	0494077	Angling tilt back recline gray	STK	1	5707292599377
106	0494076	Angling tilt Kudu	STK	1	5707292587091
110	0493163	Multi Frame X by R82 Sølv	STK	1	5707292594938

Multi Frame:x 20" 22" 24" Handbrake/Drum brake (112374)

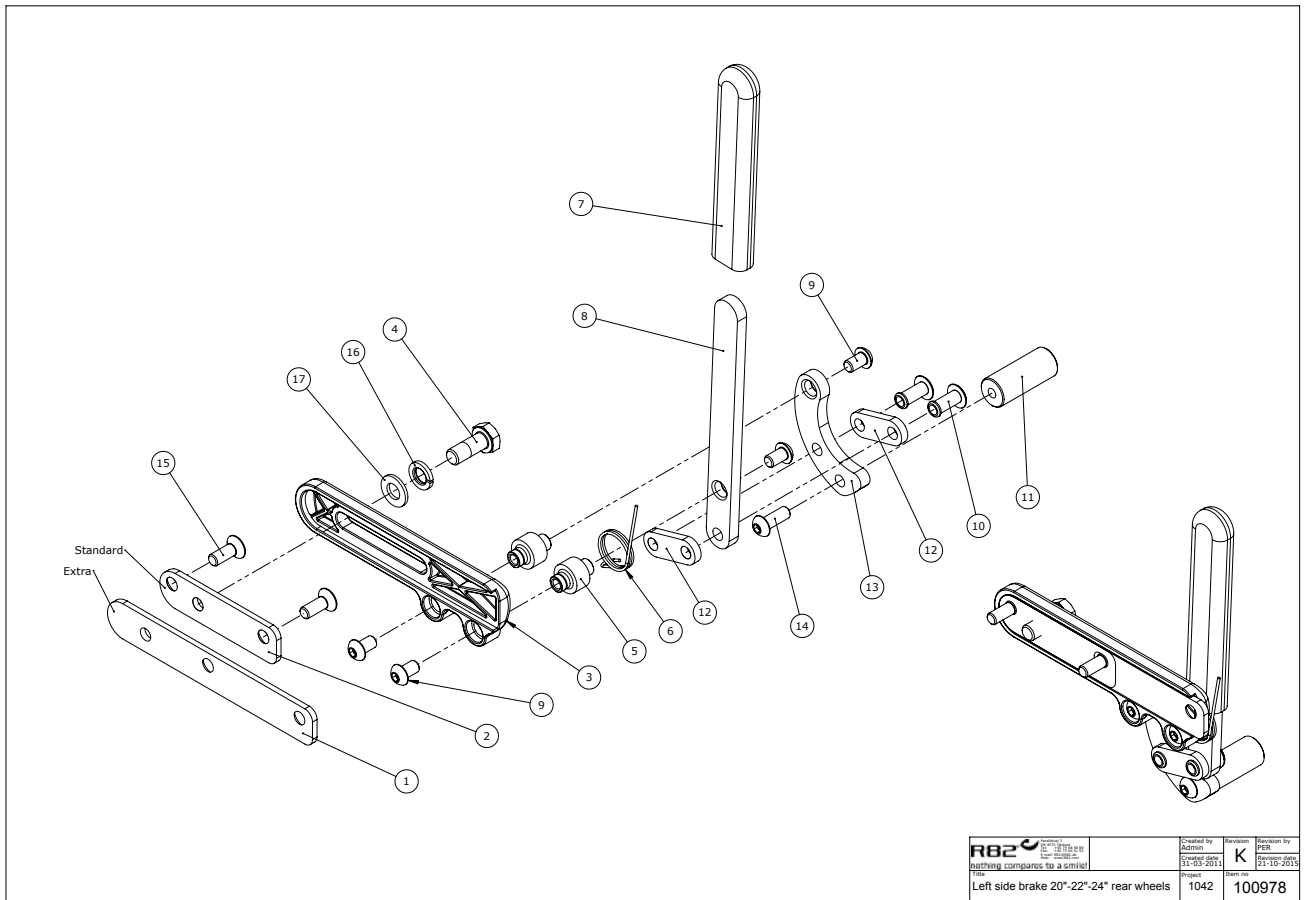


Item numbers for Multi Frame:x 20" 22" 24" Handbrake/Drum brake

Position	No.	Description	Quantity	Unit of Measure	Ean code
1	100924-35	Basic frame welded Painted	STK	1	5707292631718
2	1607000	Lock nut 8mm, large pack	STK	9	5707292141378
3	1103200	Fazet washer 8mm	STK	7	5707292140296
4	100978	Left side brake rear	STK	1	5707292593153
5	0603500	Insex screw 8x45	STK	2	5707292138231
6	P-960953	Anti-tip device, Multi Frame:x	SÆT	1	5707292604330
7	100992	Right side brake 20-22-24 rear	STK	1	5707292593054
8	3007901	Wheel Kudu, 7" - tyre black	STK	2	5707292587343
8	3007902	Wheel, 7" Kudu , tyre black	STK	2	5707292587350
8	3007901	Wheel Kudu, 7" - tyre black	STK	2	5710000000000
8	3007902	Wheel, 7" Kudu , tyre black	STK	2	5710000000000
9	3007736-1	Wheel 140x40mm with rubber	STK	2	5707292558213
9	3007901	Wheel Kudu, 7" - tyre black	STK	2	5710000000000
10	109378	WHEEL PROTECTOR	STK	2	5707292581303
11	1907150	Steel bolt 8x75mm	STK	2	5707292142474
12	1073665	Steel bolt M12X70	STK	2	5707292589422
13	77980	FRONT FORK 20 - 22"	STK	2	5707292534132
14	1760012	KONTRANUT M12,FZB	STK	2	5707292519078
15	111853	Stop washer ø12,2xø20x3,7	STK	2	5707292587374
16	6108150	Spring screw 29,57x17,48	STK	2	5707292378200
17	2985210	Ball bearing 02 6001 2rs	STK	4	5707292379412
18	101380	Distance bush for wheel	STK	2	5707292566904
19	0380184	Spec. Locking house M10x1,28mm	STK	2	5707292366030
20	78395-01	Direction lock painted	STK	2	5707292599278
21	1608000	Lock nut 12mm, large pack	STK	2	5707292141392
22	2985000	Pressureplug black soft rubber	STK	2	5707292145314
23	0602401	Insex screw 6x30	STK	2	5707292138125
24	111375	Seat assembly size 3	STK	1	5707292592620
25	P-961030-50	Kit for +50 mm seat adjustment	SÆT	1	5707292604309
25	P-961030-25	Kit for +25 mm seat adjustment	SÆT	1	5707292604187
25	961030-25	Kit for +25 mm seat height	SÆT	1	5710000000000
26	111377	Back assembly size 3	STK	1	5707292592606
27	100744	Hand brace for Multi frame x	STK	1	5707292592781
28	0663120	Button Head M6x16 stainless st	STK	4	5707292581532
29	0662000	Button head screw 8x20 stainl.	STK	2	5707292139573
30	1310717	Nylon washer, nat ø17-8,4x2mm	STK	2	5707292140821
31	134728	Spring stopper 260/215	STK	1	5707292807922
32	0602600	Insex 8x30	STK	1	5707292138170
33	0387000	End nipple for outer casing	STK	3	5707292136091
34	0388006	Screwnipple 5x7,5mm	STK	3	5707292136114
36	5002951	Wire f/tiger,panther Ø200+10cm	STK	1	5707292154644
37	0371853	Strained wires 1,5mm 190 cm.	STK	4	5707292135889
38	0380060	Flexible v-brake pipe.	STK	4	5707292425195
42	5002951	Wire f/tiger,panther Ø200+10cm	STK	1	5707292154644
43	0631862	Insex uh. 5x12, FZB	STK	2	5707292352293
44	3503542	Box - 2-1 braking cables	STK	1	5707292600608
45	0371850	Streched wire 1,5-19tr.1,tig.	STK	2	5707292135872
46	5002997	Braking cable, rabbit, 35 cm	STK	2	5707292436009
48	1310717	Nylon washer, nat ø17-8,4x2mm	STK	2	5707292140821

Position	No.	Description	Quantity	Unit of Measure	Ean code
49	2207090	Gas Springstopper adjuster	STK	2	5707292592019
50	0603455	Insex M8x40, fzb, st 12.9	STK	2	5707292482853
51	1631060	Stainless lock nut 6mm	STK	2	5707292141446
52	104387	Spacer	STK	4	5707292582553
60	2983083	Brake anchor w/QR right	STK	1	5707292599469
61	2983082	Brake anchor w/QR left	STK	1	5707292599452
62	0659570	Button head screw 6x25 stainl.	STK	2	5707292139474
63	3202020	20" wheel w/db air	STK	2	5707292584069
63	3202220	22" wheel, db, air, black	STK	2	5710000000000
63	3202420	24" wheel, db, air, black	STK	2	5710000000000
63	3102025	20" wheel w/db flexel	STK	2	5707290000000
63	3102225	22" wheel W/db massive	STK	2	5710000000000
63	3102425	24" wheel, with brake,black	STK	2	5710000000000
66	3503532	Gas pump lever without clamp	STK	2	5707292427755
67	3503535	Brake parking lever wo/clamp	STK	2	5707292413536
69	5002995	Cable for tilt of seat	STK	2	5707292542724
70	0388010	Screwnippel 7x7mm	STK	2	5707292136121
71	0380003	Brake adjuster M6x24mm	STK	2	5707292135964
95	0494524	Refleks Ø22mm grey	STK	4	5707292623911
96	1310711	Nylon washer 15x8,4x1,5mm	STK	2	5707292429933
96	1310600	Nylon washer din 125 6	STK	2	5707292140739
97	1760010	Compensating nut M10,fzb	STK	2	5707292141514
98	1357510	Distance pcs 20x8,4x4mm	STK	2	5707292598530
100	0494085	Reading instruction	STK	1	5707292786111
105	0494077	Angling tilt back recline gray	STK	1	5707292599377
106	0494076	Angling tilt Kudu	STK	1	5707292587091
107	0494000	Label "brake" met. Film	STK	2	5707292137159
110	0493163	Multi Frame X by R82 Sølv	STK	1	5707292594938

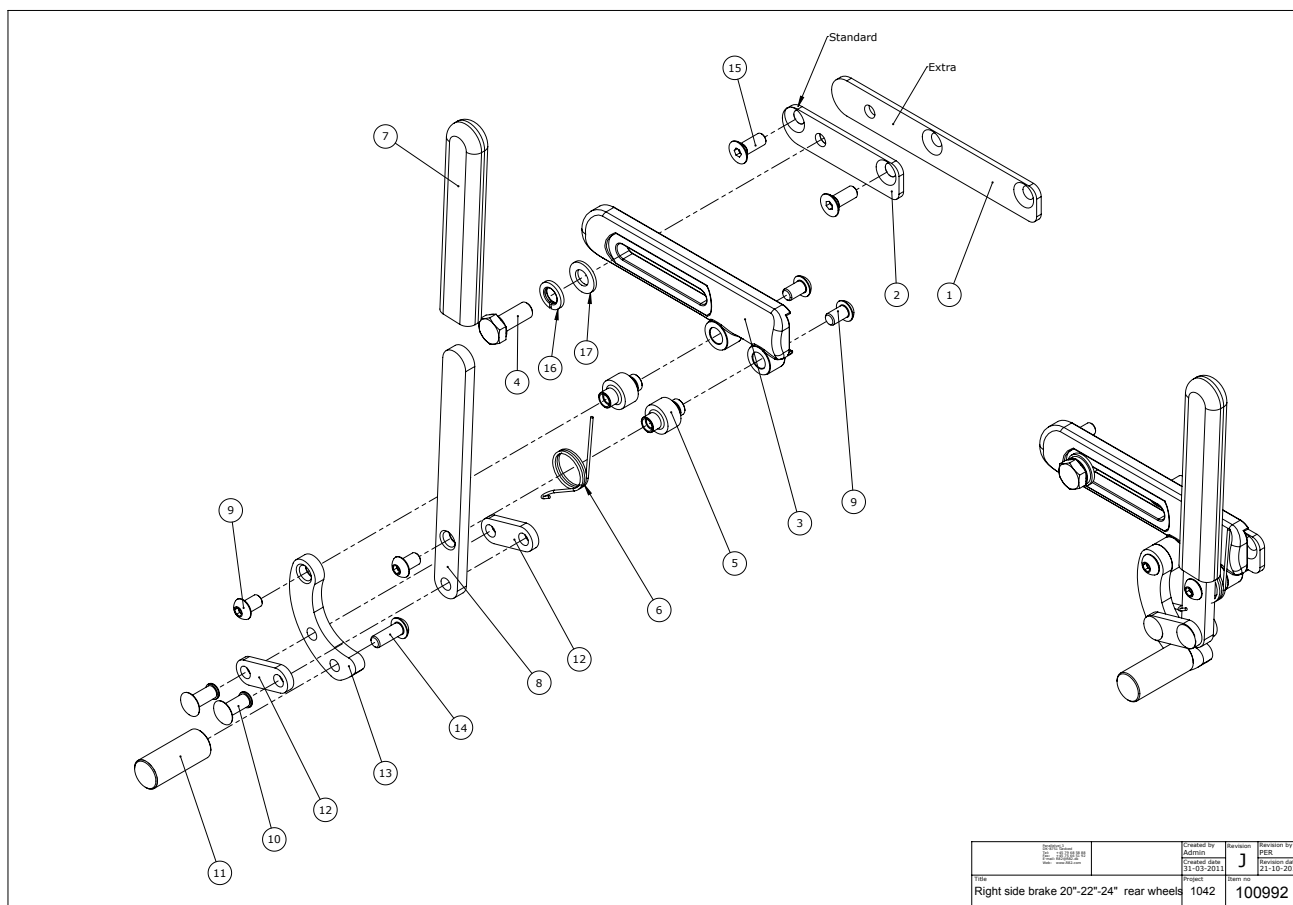
Left side rear wheel handbrake (100978)



Item numbers for Left side rear wheel handbrake

Position	No.	Description	Quantity	Unit of Measure	Ean code
1	103080	Left brake plate long	STK	1	5707292593085
2	100981	Left brake plate short	STK	1	5707292593108
3	100997	Brake housing right	STK	1	5707292574510
4	0603528	Insex low head M8x14	STK	1	5707292564474
5	6109200	M6 thread bush, braking system	STK	2	5707292185952
6	74138	Spring for brake, left	STK	1	5707292377500
7	2500512	Rubber cap for Panther brake	STK	1	5707292143730
8	100987	Handle for parking brake	STK	1	5707292593115
9	0659007	Insex button head M6x10, stainl	STK	4	5707292630360
10	0503175	Black case, Ø6,35x17,5mm	STK	2	5707292137258
11	72337	Brake ratchet	STK	1	5707292107787
12	72338	Mounting 12x4x34,5	STK	2	5707292107794
13	100995	Brake arm right and left	STK	1	5707292593122
14	0641600	Button head screw 6x16	STK	1	5707292139269
15	0609729	Stainless insex 6x16	STK	2	5707292435330
16	1100500	Spring washer 8mm, stainless	STK	1	5707292140142
17	1103200	Fazet washer 8mm	STK	1	5707292140296

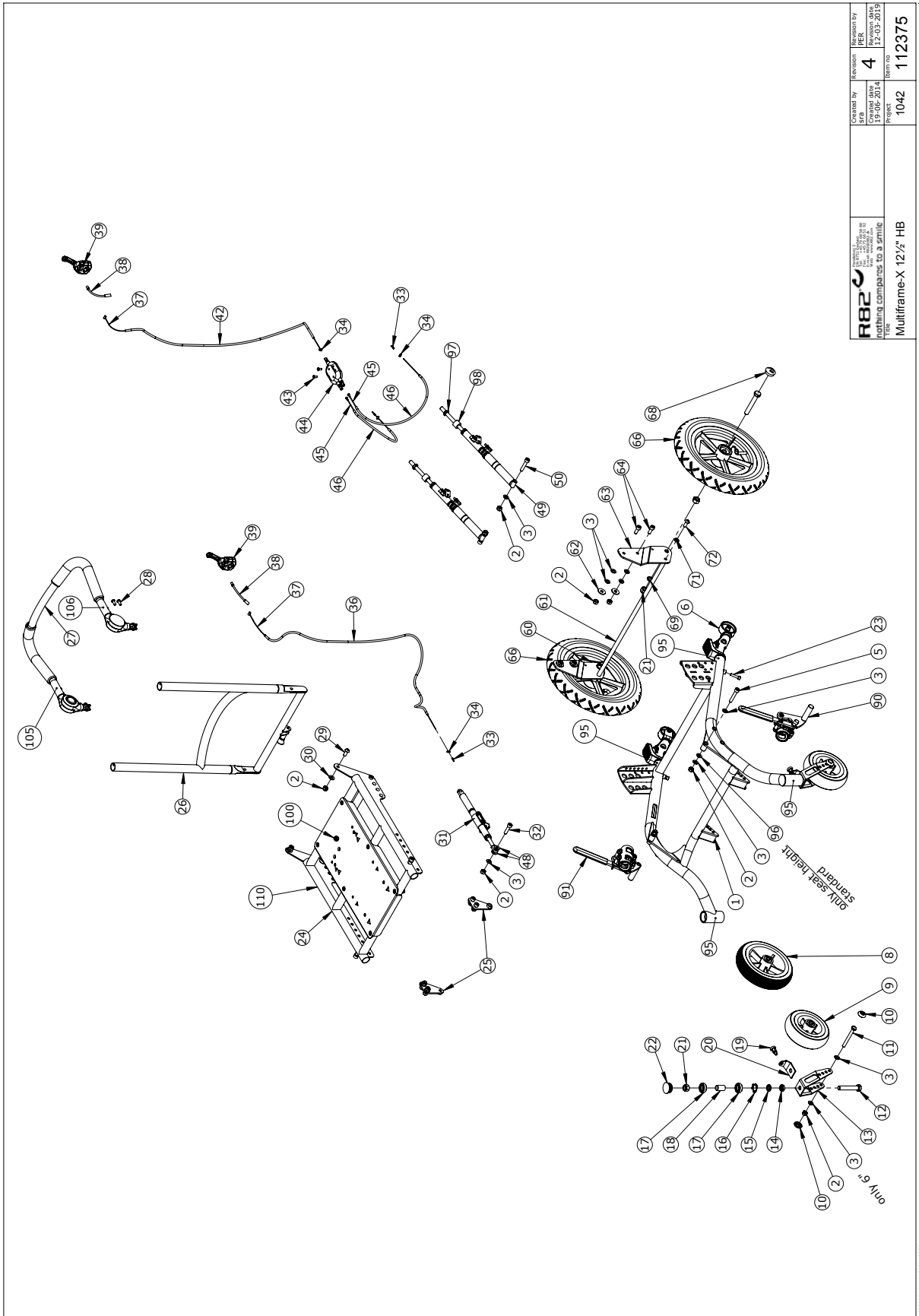
Right side rear wheel handbrake 20" 22" 24"(100992)



Item numbers for Right side rear wheel handbrake 20" 22" 24"

Position	No.	Description	Quantity	Unit of Measure	Ean code
1	103079	Right plate for brake long	PCS	1	5707292593061
2	100998	Right brake plate short	PCS	1	5707292593092
3	100983	Brake housing left	PCS	1	5707292574503
4	0603528	Insex low head M8x14	PCS	1	5707292564474
5	6109200	M6 thread bush, braking system	PCS	2	5707292185952
6	74139	Spring for brake, right	PCS	1	5707292377517
7	2500512	Rubber cap for Panther brake	PCS	1	5707292143730
8	100987	Handle for parking brake	PCS	1	5707292593115
9	0659007	Insex button head M6x10,stainl	PCS	4	5707292630360
10	0503175	Black case, Ø6,35x17,5mm	PCS	2	5707292137258
11	72337	Brake ratchet	PCS	1	5707292107787
12	72338	Mounting 12x4x34,5	PCS	2	5707292107794
13	100995	Brake arm right and left	PCS	1	5707292593122
14	0641600	Button head screw 6x16	PCS	1	5707292139269
15	0609729	Stainless insex 6x16	PCS	2	5707292435330
16	1100500	Spring washer 8mm, stainless	PCS	1	5707292140142
17	1103200	Fazet washer 8mm	PCS	1	5707292140296

Multi Frame:x 12½" handbrake (112375)



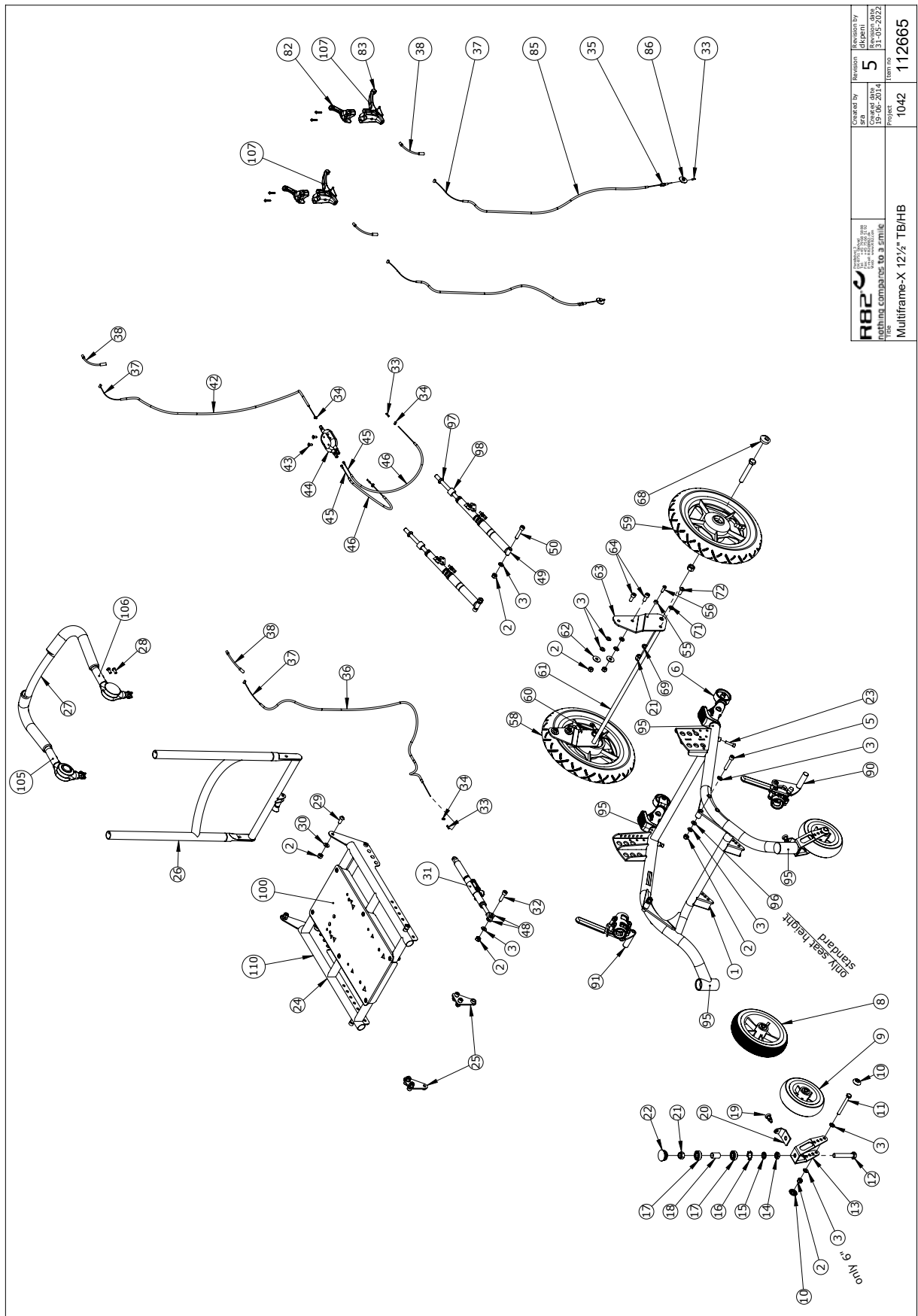
 R82 A/S Parallelvej 3 8751 Gedved Denmark	Checked by PER	Revisions by PER	Revision no. 4	Revision date 12-03-2013
	Part no. 1042	Item no. 112375	Multiframex-12½" HB	

Item numbers for Multi Frame:x 12½" Handbrake

Position	No.	Description	Quantity	Unit of Measure	Ean code
1	100924-35	Basic frame welded Painted	STK	1	5707292631718
2	1607000	Lock nut 8mm, large pack	STK	11	5707292141378
3	1103200	Fazet washer 8mm	STK	13	5707292140296
5	0603500	Insex screw 8x45	STK	2	5707292138231
6	P-960953	Anti-tip device, Multi Frame:x	SÆT	1	5707292604330
8	3007902	Wheel, 7" Kudu , tyre black	STK	2	5707292587350
8	3007901	Wheel Kudu, 7" - tyre black	STK	2	5707292587343
9	3007736-1	Wheel 140x40mm with rubber	STK	2	5707292558213
10	109378	Wheel protector	STK	2	5707292581303
11	1907150	Steel bolt 8x75mm	STK	2	5707292142474
12	1073665	Steel bolt M12X70	STK	2	5707292589422
13	77980	FRONT FORK 20 - 22"	STK	2	5707292534132
14	1760012	Kontranut M12,fzb	STK	2	5707292519078
15	111853	STOP WASHER Ø12,2XØ20X3,7	STK	2	5707292587374
16	6108150	Spring screw 29,57x17,48	STK	2	5707292378200
17	2985210	Ball bearing 02 6001 2rs	STK	4	5707292379412
18	101380	Distance bush for wheel	STK	2	5707292566904
19	0380184	SPEC. LOCKING HOUSE M10X1,28MM	STK	2	5707292366030
20	78395-01	Direction lock painted	STK	2	5707292599278
21	1608000	Lock nut 12mm, large pack	STK	2	5707292141392
22	2985000	Pressureplug black soft rubber	STK	2	5707292145314
23	0602401	Insex screw 6x30	STK	2	5707292138125
24	111375	Seat assembly size 3	STK	1	5707292592620
25	P-961030-25	Kit for +25 mm seat adjustment	SÆT	1	5707292604187
25	P-961030-50	Kit for +50 mm seat adjustment	SÆT	1	5,71E+12
26	111377	Back assembly size 3	STK	1	5707292592606
27	100744	Hand brace for Multi frame x	STK	1	5707292592781
28	0663120	Button Head M6x16 stainless st	STK	4	5707292581532
29	0662000	Button head screw 8x20 stainl.	STK	2	5707292139573
30	1310717	Nylon washer, nat o17-8,4x2mm	STK	2	5707292140821
31	134728	Spring stopper 260/215	STK	1	5707292807922
32	0602600	Insex 8x30	STK	1	5707292138170
33	0387000	End nipple for outer casing	STK	3	5707292136091
34	0388006	Screwnipple 5x7,5mm	STK	3	5707292136114
36	5002951	Wire f/tiger,panther Ø200+10cm	STK	1	5707292154644
37	0371853	Strained wires 1,5mm 190 cm.	STK	2	5707292135889
38	0380060	Flexible v-brake pipe.	STK	2	5707292425195
39	3503531	Gas pump lever with clamp	STK	2	5707292413529
42	5002951	Wire f/tiger,panther Ø200+10cm	STK	1	5707292154644
43	0631862	Insex uh. 5x12, FZB	STK	2	5707292352293
44	3503542	Box - 2-1 braking cables	STK	1	5707292600608
45	0371850	Streched wire 1,5-19tr.1.tig.	STK	2	5707292135872
46	5002997	Braking cable, rabbit, 35 cm	STK	2	5707292436009
48	1310717	Nylon washer, nat o17-8,4x2mm	STK	2	5707292140821
49	2207090	Gas Springstopper adjuster	STK	2	5707292592019
50	0603455	Insex M8x40, fzb, st 12.9	STK	2	5707292482853
60	100765-01	R side suspension 12½" paint	STK	1	5707292599247
61	100889-01	Support tube 12½" rear painted	STK	1	5707292599421

Position	No.	Description	Quantity	Unit of Measure	Ean code
62	1108000	Washer 8mm	STK	4	5707292140388
63	100764-01	L side suspension 12½" paint	STK	1	5707292599261
64	0602800	Insex screw 8x20	STK	4	5707292138194
66	3009511	12½x2 1/4" solid racing	STK	2	5707292599230
66	3009510	12½x2 1/4" air racing	STK	2	5707292599223
68	2704300	Black hub cap for rolko wheel	STK	2	5707292144515
69	1101600	Center spring washer 12mm	STK	2	5707292140197
71	1100500	Spring washer 8mm, stainless	STK	2	5707292140142
72	0662000	Button head screw 8x20 stainl.	STK	2	5707292139573
83	3503535	Brake parking lever wo/clamp	STK	2	5707292413536
90	P-100510	12½ håndbremse venstre	STK	1	5707292808660
91	P-100504	12½ håndbremse højre	STK	1	5707292808653
95	0494524	Refleks Ø22mm grey	STK	4	5707292623911
96	1310711	Nylon washer 15x8,4x1,5mm	STK	2	5707292429933
97	1760010	Compensating nut M10,fzb	STK	2	5707292141514
98	1357510	Distance pcs 20x8,4x4mm	STK	2	5707292598530
100	0494085	Reading instruction	STK	1	5707292786111
105	0494077	Angling tilt back recline gray	STK	1	5707292599377
106	0494076	Angling tilt Kudu	STK	1	5707292587091
110	0493163	Multi Frame X by R82 Sølv	STK	1	5707292594938

Multi Frame:x 12½ Handbrake/Drum brake (112665)

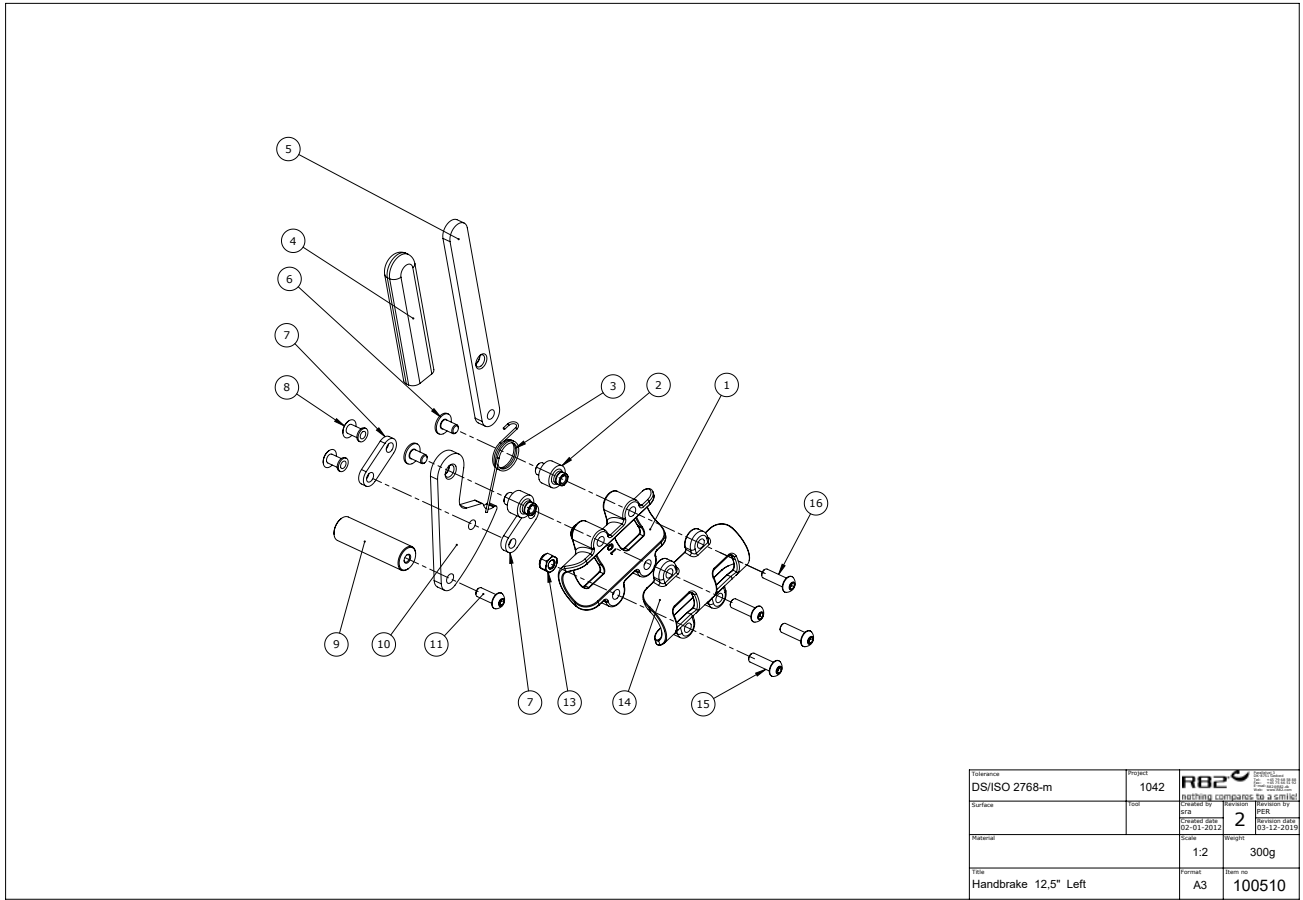


Item numbers for Multi Frame:x 12½ Handbrake/Drum brake

Position	No.	Description	Quantity	Unit of Measure	Ean code
1	100924-35	Basic frame welded Painted	PCS	1	5707292631718
2	1607000	Lock nut 8mm, large pack	PCS	11	5707292141378
3	1103200	Fazet washer 8mm	PCS	13	5707292140296
5	0603500	Insex screw 8x45	PCS	2	5707292138231
6	P-960953	Anti-tip device, Multi Frame:x	SET	1	5707292604330
8	3007901	Wheel Kudu, 7" - tyre black	PCS	2	5707292587343
8	3007902	Wheel, 7" Kudu , tyre black	PCS	2	5,71E+12
9	3007736-1	Wheel 140x40mm with rubber	PCS	2	5707292558213
10	109378	Wheel protector	PCS	2	5707292581303
11	1907150	Steel bolt 8x75mm	PCS	2	5707292142474
12	1073665	Steel bolt M12X70	PCS	2	5707292589422
13	77980	FRONT FORK 20 - 22"	PCS	2	5707292534132
14	1760012	Kontranut M12,fzb	PCS	2	5707292519078
15	111853	STOP WASHER Ø12,2XØ20X3,7	PCS	2	5707292587374
16	6108150	Spring screw 29,57x17,48	PCS	2	5707292378200
17	2985210	Ball bearing 02 6001 2rs	PCS	4	5707292379412
18	101380	Distance bush for wheel	PCS	2	5707292566904
19	0380184	SPEC. LOCKING HOUSE M10X1,28MM	PCS	2	5707292366030
20	78395-01	Direction lock painted	PCS	2	5707292599278
21	1608000	Lock nut 12mm, large pack	PCS	2	5707292141392
22	2985000	Pressureplug black soft rubber	PCS	2	5707292145314
23	0602401	Insex screw 6x30	PCS	2	5707292138125
24	111375	Seat assembly size 3	PCS	1	5707292592620
25	P-961030-25	Kit for +25 mm seat adjustment	SET	1	5707292604187
25	P-961030-50	Kit for +50 mm seat adjustment	SET	1	5,71E+12
26	111377	Back assembly size 3	PCS	1	5707292592606
27	100744	Hand brace for Multi frame x	PCS	1	5707292592781
28	0663120	Button Head M6x16 stainless st	PCS	4	5707292581532
29	0662000	Button head screw 8x20 stainl.	PCS	2	5707292139573
30	1310717	Nylon washer, nat o17-8,4x2mm	PCS	2	5707292140821
31	134728	Spring stopper 260/215	PCS	1	5707292807922
32	0602600	Insex 8x30	PCS	1	5707292138170
33	0387000	End nipple for outer casing	PCS	5	5707292136091
34	0388006	Screwnipple 5x7,5mm	PCS	3	5707292136114
35	380000	Cable tighter M5x23	PCS	2	5,71E+12
36	5002951	Wire f/tiger,panther Ø200+10cm	PCS	1	5707292154644
37	0371853	Strained wires 1,5mm 190 cm.	PCS	4	5707292135889
38	0380060	Flexible v-brake pipe.	PCS	4	5707292425195
39	3503531	Gas pump lever with clamp	PCS	2	5707292413529
42	5002951	Wire f/tiger,panther Ø200+10cm	PCS	1	5707292154644
43	0631862	Insex uh. 5x12, FZB	PCS	2	5707292352293
44	3503542	Box - 2-1 braking cables	PCS	1	5707292600608
45	0371850	Streched wire 1,5-19tr.1,tig.	PCS	2	5707292135872
46	5002997	Braking cable, rabbit, 35 cm	PCS	2	5707292436009
48	1310717	Nylon washer, nat o17-8,4x2mm	PCS	2	5707292140821
49	2207090	Gas Springstopper adjuster	PCS	2	5707292592019
50	0603455	Insex M8x40, fzb, st 12.9	PCS	2	5707292482853
55	104387	Spacer	PCS	2	5707292582553

Position	No.	Description	Quantity	Unit of Measure	Ean code
56	0641601	Button head M6x16 FZB, Tuflok	PCS	2	5707292541673
58	3009525	12½x2 1/4"right, db air racing	PCS	1	5707292589583
58	3009527	12½x2 1/4" d/b Solid racing	PCS	1	5,70729E+12
59	3009526	12½x2 1/4" ve t/b air racing	PCS	1	5707292589590
59	3009528	12½x2 1/4" d/b Solid racing	PCS	1	5,70729E+12
60	100765-01	R side suspension 12½" paint	PCS	1	5707292599247
61	100889-01	Support tube 12½" rear painted	PCS	1	5707292599421
62	1108000	Washer 8mm	PCS	4	5707292140388
63	100764-01	L side suspension 12½" paint	PCS	1	5707292599261
64	0602800	Insex screw 8x20	PCS	4	5707292138194
68	2704300	Black hub cap for rolko wheel	PCS	2	5707292144515
69	1101600	Center spring washer 12mm	PCS	2	5707292140197
71	1100500	Spring washer 8mm, stainless	PCS	2	5707292140142
72	0662000	Button head screw 8x20 stainl.	PCS	2	5707292139573
82	3503532	Gas pump lever without clamp	PCS	2	5707292427755
83	3503535	Brake parking lever wo/clamp	PCS	2	5707292413536
85	5002750	Cable for brake, size 1+2	PCS	2	5707292413635
86	0380040	Cable bench screw M5	PCS	2	5707292135988
90	P-100510	12½ håndbremse venstre	PCS	1	5707292808660
91	P-100504	12½ håndbremse højre	PCS	1	5707292808653
95	0494524	Refleks Ø22mm grey	PCS	4	5707292623911
96	1310711	Nylon washer 15x8,4x1,5mm	PCS	2	5707292429933
96	1310600	Nylon washer din 125 6	PCS	2	5,71E+12
97	1760010	Compensating nut M10,fzb	PCS	2	5707292141514
98	1357510	Distance pcs 20x8,4x4mm	PCS	2	5707292598530
100	0494085	Reading instruction	PCS	1	5707292786111
105	0494077	Angling tilt back recline gray	PCS	1	5707292599377
106	0494076	Angling tilt Kudu	PCS	1	5707292587091
107	0494000	Label "brake" met. Film	PCS	2	5707292137159
110	0493163	Multi Frame X by R82 Sølv	PCS	1	5707292594938

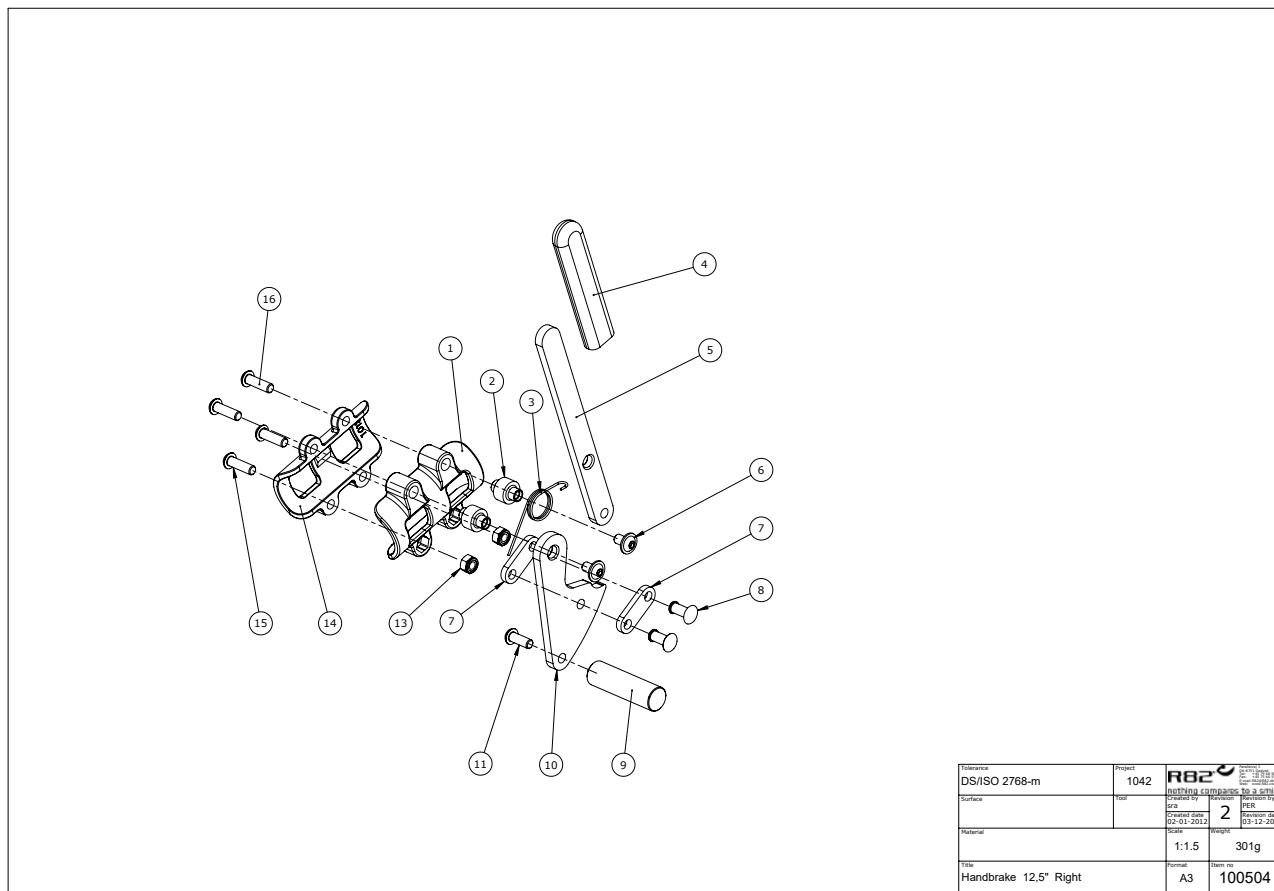
Handbrake- left side (100510)



Item numbers for Handbrake- left side

Position	No.	Description	Quantity	Unit of Measure	Ean code
1	101373	Outer brake housing	PCS	1	5707292594013
2	6109200	M6 thread bush, braking system	PCS	2	5707292185952
3	74138	Spring for brake, left	PCS	1	5707292377500
4	2500512	Rubber cap for Panther brake	PCS	1	5707292143730
5	100505	12½ brake arm	PCS	1	5707292594006
6	0641100	B.h. W/flange M6x10	PCS	2	5707292139245
7	72338	Mounting 12x4x34,5	PCS	2	5707292107794
8	0503175	Black case, Ø6,35x17,5mm	PCS	2	5707292137258
9	100506	12½ extended brake plug	PCS	1	5707292593993
10	100508	Bracker for brake arm 12½	PCS	1	5707292594037
11	0641600	Button head screw 6x16	PCS	1	5707292139269
13	1631060	Stainless lock nut 6mm	PCS	2	5707292141446
14	101374	Inner housing	PCS	1	5707292594020
15	0659550	Button head M6x20, stainless	PCS	2	5707292139467
16	0659580	Button head screw 6x30 mm	PCS	2	5707292139481

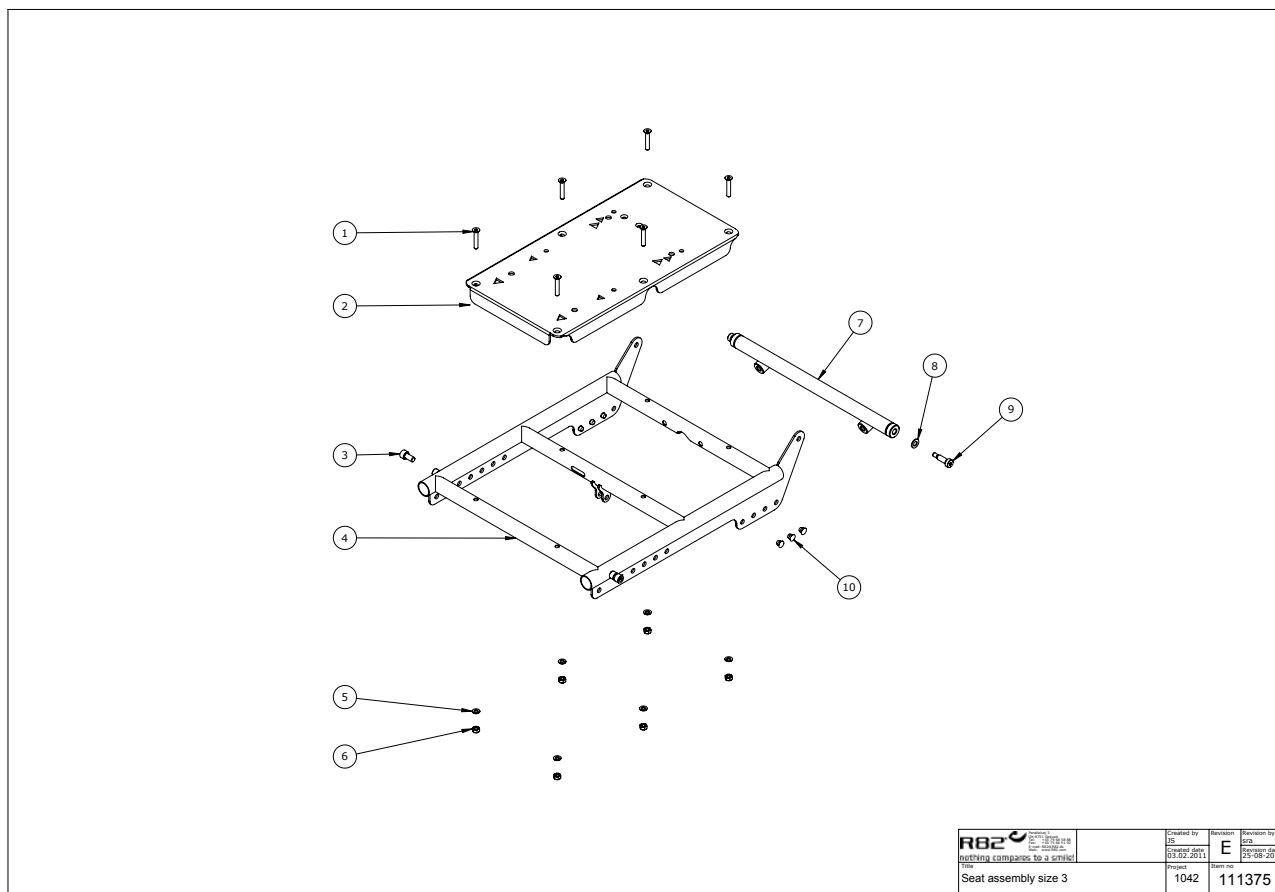
Handbrake- right side (100504)



Item numbers for Handbrake- right side

Position	No.	Description	Quantity	Unit of Measure	Ean code
1	101373	Outer brake housing	PCS	1	5707292594013
2	6109200	M6 thread bush, braking system	PCS	2	5707292185952
3	74139	Spring for brake, right	PCS	1	5707292377517
4	2500512	Rubber cap for Panther brake	PCS	1	5707292143730
5	100505	12½ brake arm	PCS	1	5707292594006
6	0641100	B.h. W/flange M6x10	PCS	2	5707292139245
7	72338	Mounting 12x4x34,5	PCS	2	5707292107794
8	0503175	Black case, Ø6,35x17,5mm	PCS	2	5707292137258
9	100506	12½ extended brake plug	PCS	1	5707292593993
10	100508	Bracker for brake arm 12½	PCS	1	5707292594037
11	0641600	Button head screw 6x16	PCS	1	5707292139269
13	1631060	Stainless lock nut 6mm	PCS	2	5707292141446
14	101374	Inner housing	PCS	1	5707292594020
15	0659550	Button head M6x20, stainless	PCS	2	5707292139467
16	0659580	Button head screw 6x30 mm	PCS	2	5707292139481

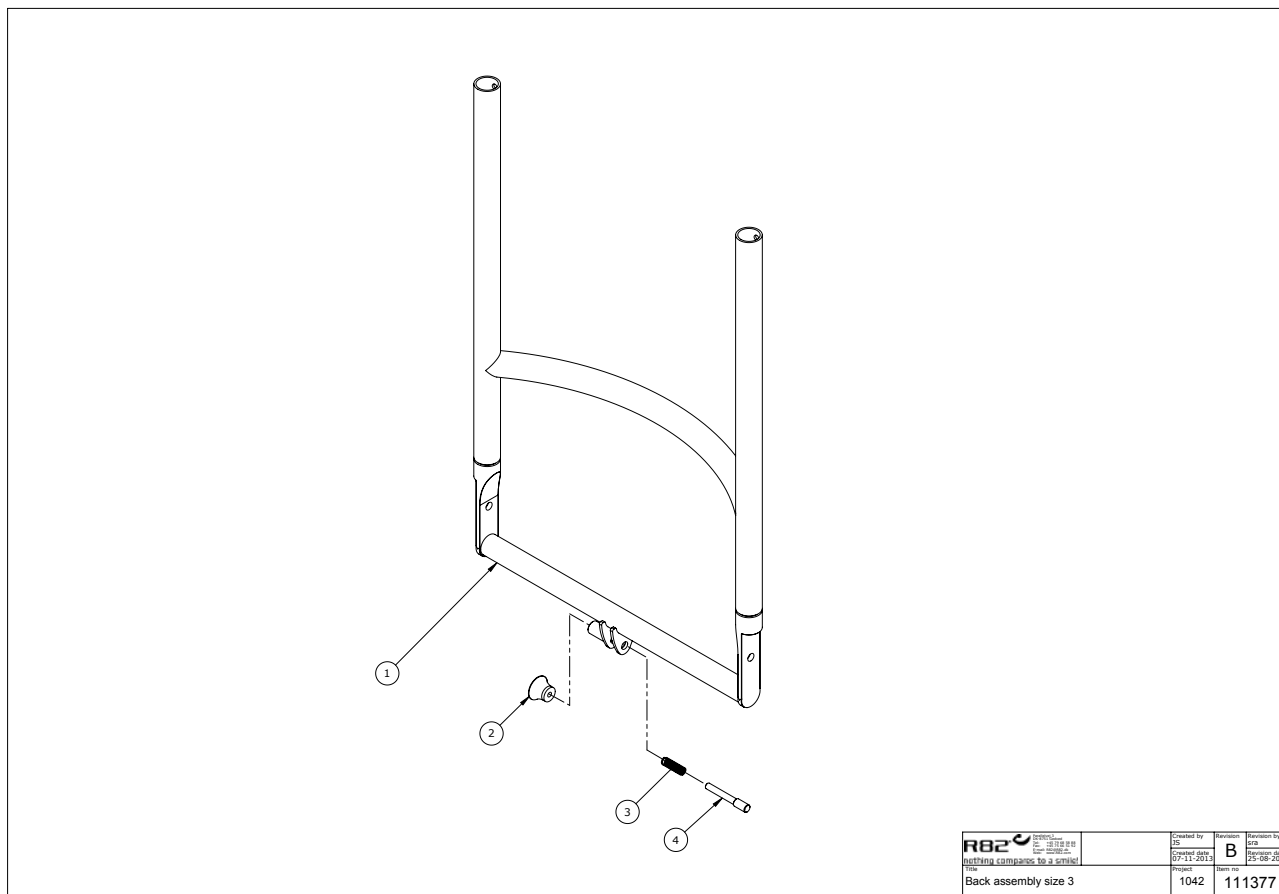
Seat size 3 (111375)



Item numbers for Seat size 3

Position	No.	Description	Quantity	Unit of Measure	Ean code
1	0623500	Insex screw counters. 6x35	PCS	6	5707292139009
2	110739	Seat plate	PCS	1	5707292592637
3	0602900	Insex screw 8x16	PCS	2	5707292138200
4	100719-35	Seat frame welded painted	PCS	1	5707292631732
5	1103000	Fazet washer 6mm	PCS	6	5707292140289
6	1606500	Lock nut 6 mm	PCS	6	5707292141361
7	100946-35	Gas spring mount seat painted	PCS	1	5707292631725
8	1310645	Washer, nature Ø16x8x0,5mm	PCS	2	5707292446015
9	0683815	Pasbolt m/indv.6kt. 8x20 (M6)	PCS	2	5707292488541
10	2501408	Black blind ferrule	PCS	6	5707292143921

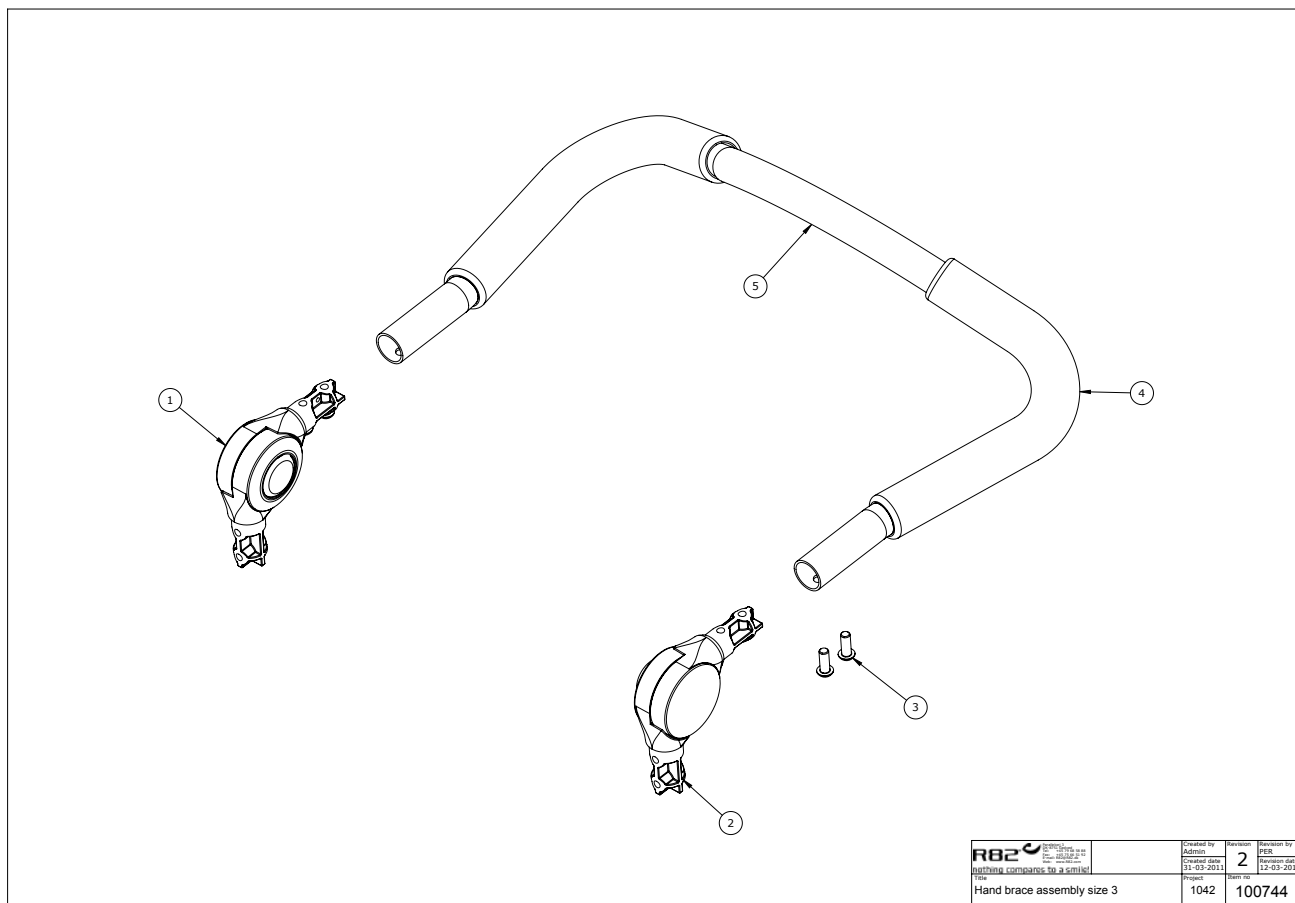
Back (111377)



Item numbers for Back

Position	No.	Description	Quantity	Unit of Measure	Ean code
1	100738-35	Ryg ramme svejst Painted	PCS	1	5707292631763
2	3706256	Knob 25, M6 thread	PCS	1	5707292147219
3	0310101	Pressure spring stainles	PCS	1	5707292471994
4	112034	Pin for gas spring back	PCS	1	5707292589163

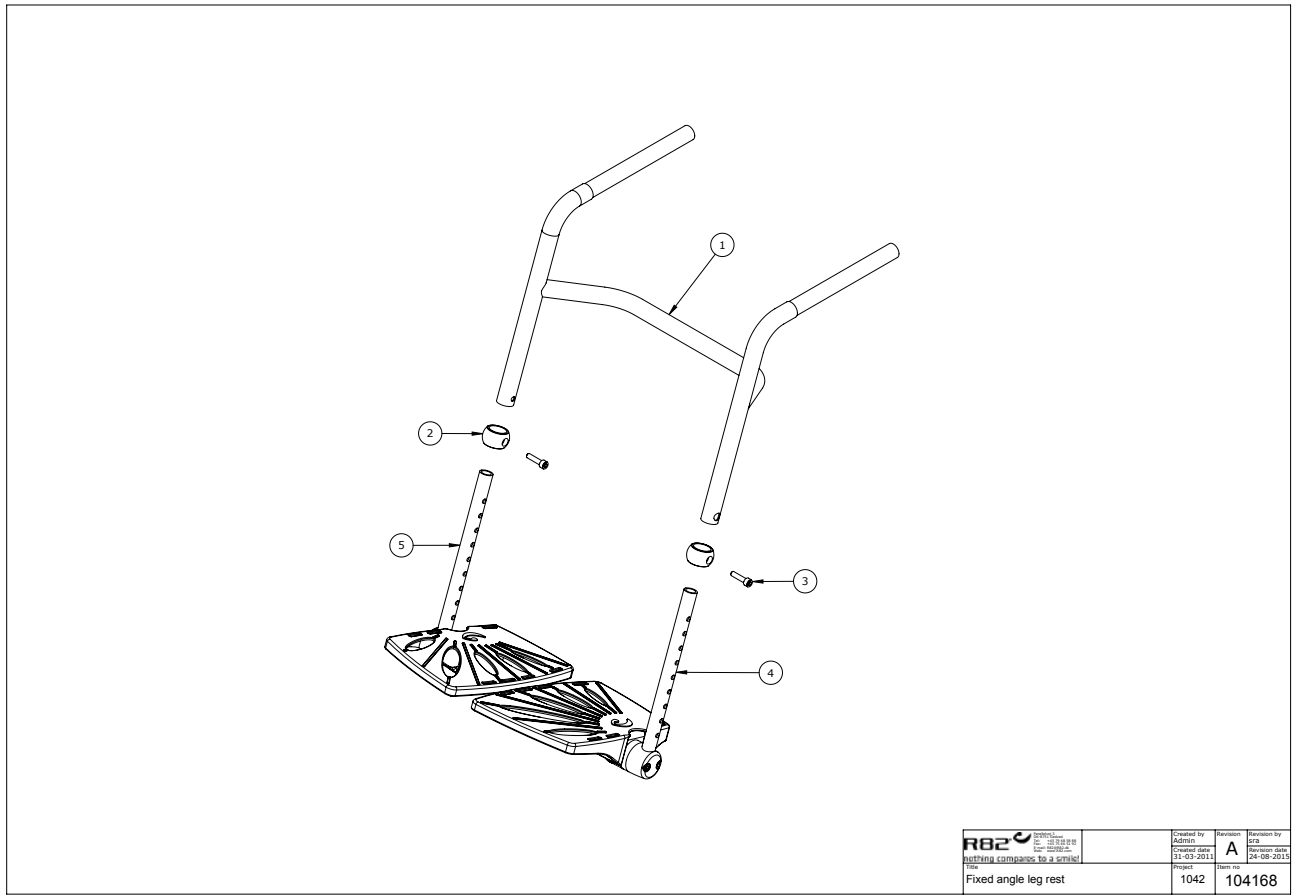
Handbrace (100744)



Item numbers for Handbrace

Position	No.	Description	Quantity	Unit of Measure	Ean code
1	110236	Angle joint right $\varnothing 19 \times \varnothing 21$	PCS	1	5707292592798
2	110238	Angle joint left $\varnothing 19 \times \varnothing 21$	PCS	1	5707292592804
3	0663120	Button Head M6x16 stainless st	PCS	4	5707292581532
4	2500520	Tpe cover $\varnothing 20$ mm	PCS	2	5707292401649
5	100747-02	Hand brace painted	PCS	1	5707292599315

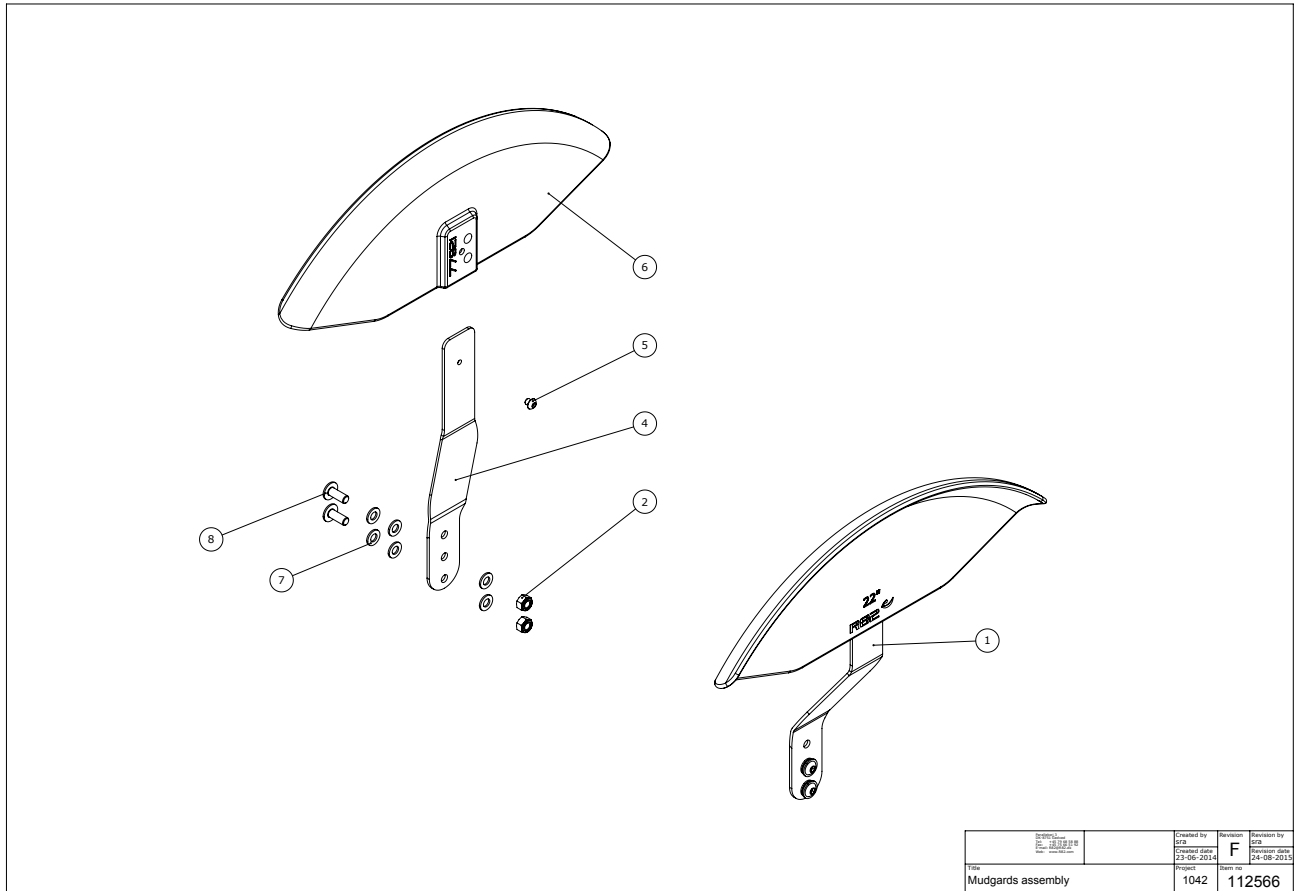
Parted foot rests (104168)



Item numbers for Parted foot rests

Position	No.	Description	Quantity	Unit of Measure	Ean code
1	100773	Foot rest welded	PCS	1	5707292567291
2	74814	Bush for footrest	PCS	2	5707292426239
3	0602425	Insex M6x25, stainless	PCS	2	5707292404596
4	5097021	Baseplate mounted, left size 1	PCS	1	5707292423443
5	5097022	Baseplate mounted, right size 1	PCS	1	5707292423450

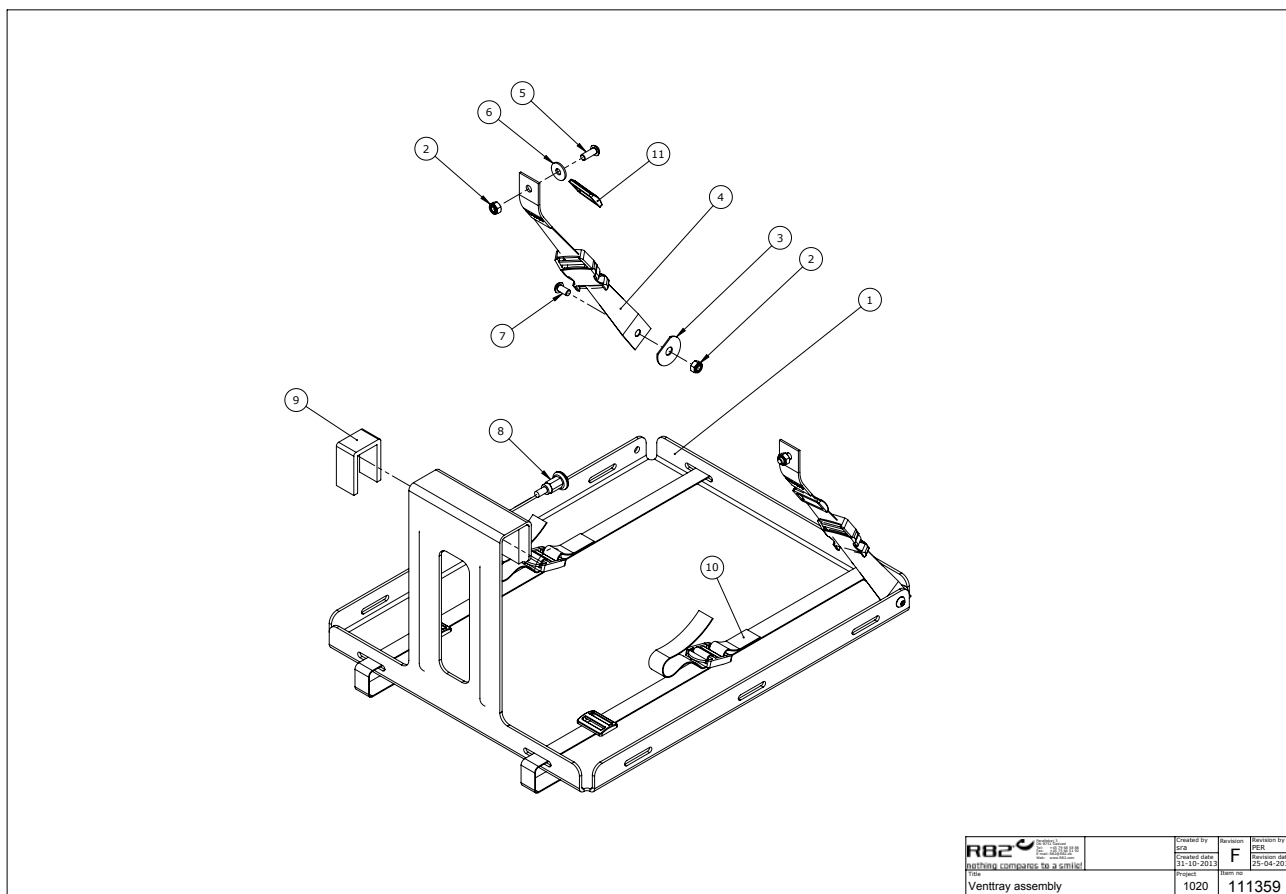
Mudguard (112566)




Item numbers for Mudguard

Position	No.	Description	Quantity	Unit of Measure	Ean code
1	108675	Fender suspension R	PCS	1	5707292593238
2	1607000	Lock nut 8mm, large pack	PCS	4	5707292141378
4	112638	Fender suspension L	PCS	1	5707292562555
5	0631961	Buttonhead M6x6,zn/fe&black	PCS	2	5707292577764
6	77895	20" Fender	PCS	2	5707292571687
6	77986	Fender 24"	PCS	2	5707292571700
6	77921	Fender 22"	PCS	2	5707292571694
7	1103200	Fazer washer 8mm	PCS	12	5707292140296
8	0661800	Button head w/flange 8x20	PCS	4	5707292408075

Vent tray (111359)

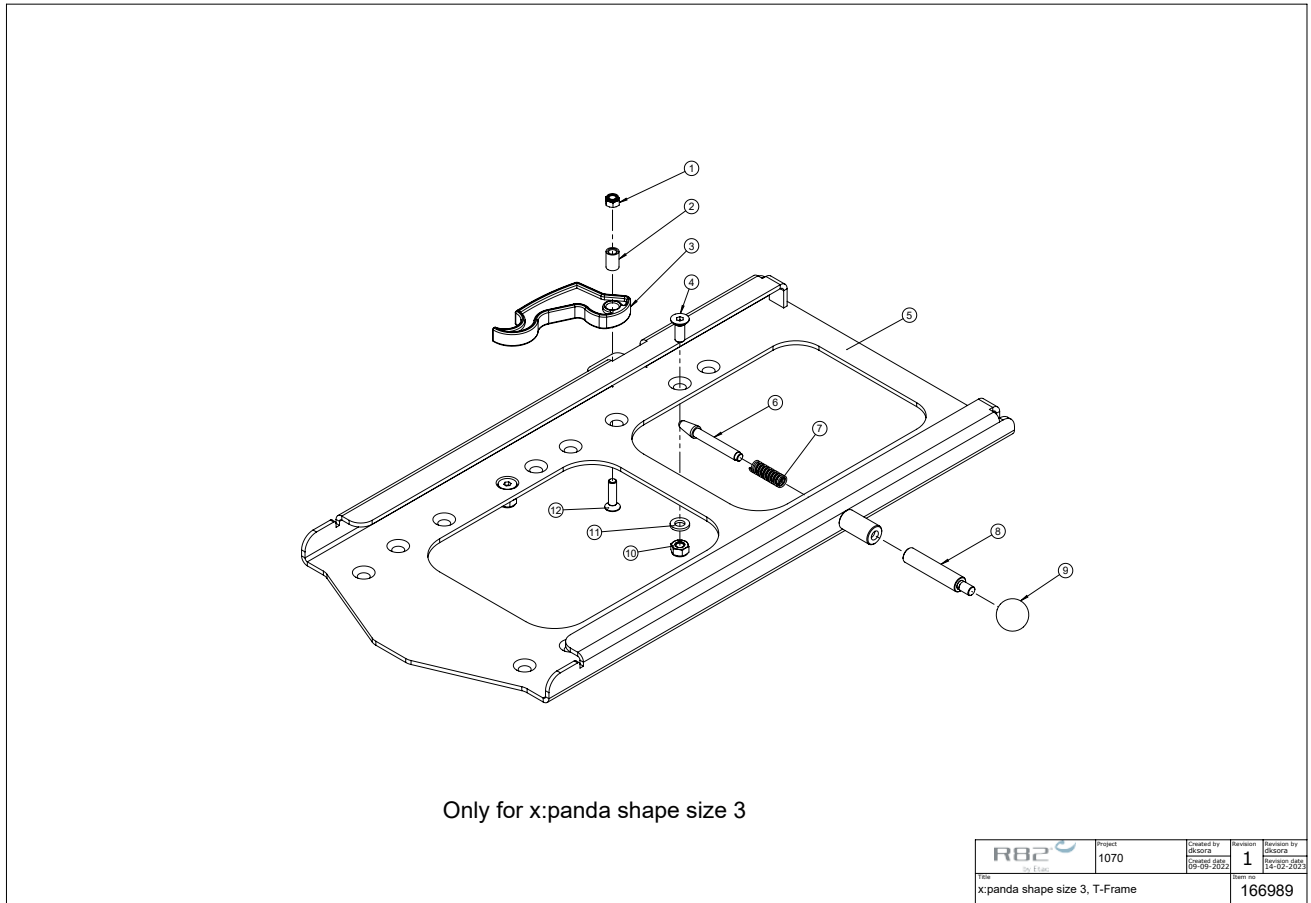


 <small> R82 A/S Parallelvej 3 8751 Gedved Denmark </small>	<small> Created by Date </small>	<small> Revision F </small>	<small> Prepared by Date </small>
	<small> Project 1020 </small>	<small> Main no. 111359 </small>	

Item numbers for Vent tray

Position	No.	Description	Quantity	Unit of Measure	Ean code
1	109123	Vent tray	PCS	1	5707292584038
2	1631060	Stainless lock nut 6mm	PCS	4	5707292141446
3	1125000	Screenwasher FZB black 5/16x30	PCS	2	5707292140470
4	5540541	Strap for vent tray	PCS	2	5707292552686
5	0659500	Button head screw	PCS	2	5707292139450
6	1130600	Stainless washer 6mm	PCS	2	5707292140517
7	0659200	Button head screw 6x12 stainl.	PCS	2	5707292139436
8	0380187	Spec. House for lock, Kudu	PCS	1	5707292590831
9	I-109065	Shim Pad f. ventray	MTR	0,2	5707292577542
10	5540545	Strap for oxygen bottle	PCS	2	5707292480798
11	0467000	Belt clamp 25 mm black	PCS	2	5707292136558

Adaptor for x:panda shape size 3, kit 905090



Item numbers for Adaptor for x:panda shape size 3, kit 905090

Position	No.	Description	Quantity	Unit of Measure	Ean code
1	1606300	Lock nut 5 mm	1	PCS	5707292141354
2	75641	Bush 5-8x11,8	1	PCS	5707292466501
3	75905	Clamping grip	1	PCS	5707292534590
4	0621600	Insex screw counters. 6x16	4	PCS	5707292138965
5	166990	T-Frame x:panda shape size 3	1	PCS	5707292976130
6	6113000	Spindle, t-part/frame	1	PCS	5707292186362
7	0310100	Pressure spring 0,9x8x23x10,5v	1	PCS	5707292135513
8	6118750	Handle x:panda	1	PCS	5707292530509
9	3502008	Knob handle Ø20 M6	1	PCS	5707292146830
10	1606500	Lock nut 6 mm	4	PCS	5707292141361
11	1105060	SS washer M6 6,4x12x1,6	4	PCS	5707292140357
12	0615020	Insex screw counters. 5x20	1	PCS	5707292138866