

# kudu<sup>TM</sup> Accessories

## Exploded views / Part lists













Rev. date (2023.05)

*On the following pages you will find the parts used to assemble this product. Please note that some spare parts cannot be purchased individually but are part of a complete kit. Please also note that for some spare parts extra delivery time may occur.*



PAGE 31

### Accessories

			
<b>Head support with cover</b> 9100x-xx For correct position and support	<b>Back extension cushion</b> 95713-xx Supports the upper back	<b>Fixed side supports</b> 95401-x0	<b>Swing-away side supports</b> 8310x-xx
See the Accessories section at the back of the catalogue, for further information on options and measurements	Size    Measurements 1    +5 cm or +10 cm 2    +5 cm or +10 cm 3    +5 cm or +10 cm 4    +5 cm or +10 cm	Type    Measurements 9    W:9 X:H: 10 cm 5    W:16 X:H: 15 cm 6    W:12 X:H: 14 cm	See the Accessories section at the back of the catalogue, for further information on options and measurements
			
<b>Arm rests, incl. side plates</b> 95712x Height adjustable and provide arm support	<b>Tray</b> 9576350	<b>Swing-away knee supports, set</b> 95860-xx Provide control and positioning	<b>Rucksack</b> 94480-x Extra space for storage
One size	See the Accessories section at the back of the catalogue, for further information on options and measurements	Type    Size 1+2    Small 3+4    Medium	Type    Size 1+2    Small 3+4    Medium
			
<b>Calf support</b> 85131-xx For parted foot rests For extra support and comfort	<b>Calf support</b> 85131 Centrally mounted foot plate For extra support and comfort	<b>Heel band for parted foot rests</b> 85132-xx	<b>Mud guards</b> 9520x Available for 20", 22" and 24"
One size	Size    Measurements 1    H:15 x W: 30 cm	One size	One size

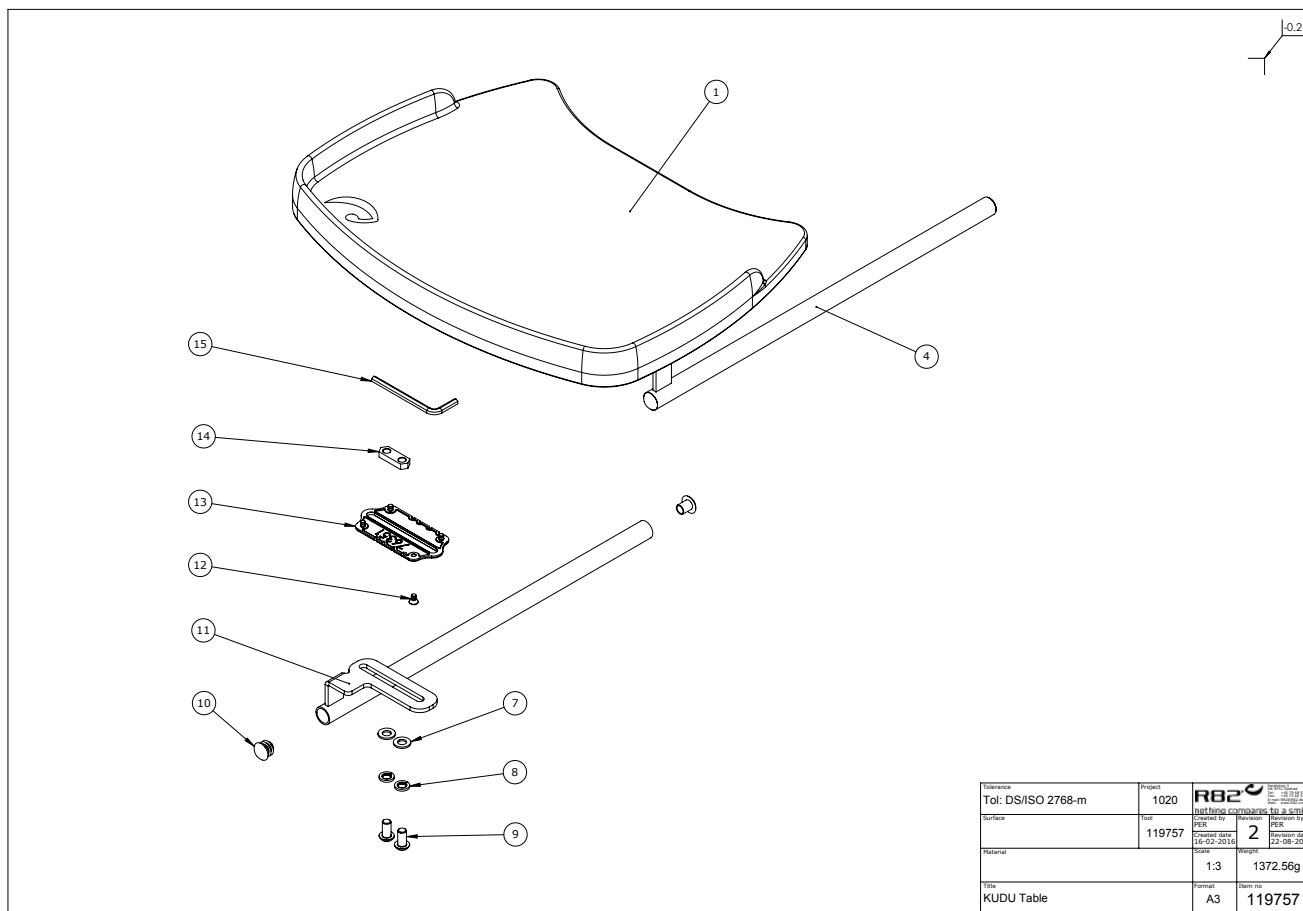
nothing compares to a smile

**R82**<sup>®</sup>

## Contents

Tray shape 8, with edge. Kit 9576351 .....	3
Item numbers for Tray shape 8, with edge. Kit 9576351 .....	3
Hip supports kit: size 1+2 95713-10, size 3+4 95713-20.....	4
Item numbers for Hip supports kit: size 1+2 95713-10, kit size 3+4 95713-20 .....	4
Arm rests kit: 95712-20, 95712-40 .....	5
Item numbers for Arm rests kit: 95712-20, 95712-40.....	5
Fixed side supports kit: 95401-10, 95401-20, 95401-30.....	7
Item numbers for Fixed side supports kit: 95401-10, 95401-20, 95401-30 .....	7
Swing-away knee supports kit: small 95860-10, medium 95860-20 .....	8
Item numbers for Swing-away knee supports kit: small 95860-10, medium 95860-20 .....	8
Mudguards kit:P-952020, P-952022, P-952022-7, P-952024, P952024-7 .....	9
Item numbers for Mudguards kit:P-952020, P-952022, P-952022-7, P-952024, P952024-7 .....	9
Vent tray kit 95281-10 .....	10
Item numbers for Vent tray kit 95281-10 .....	10
Transport fittings, rear kit 95900-16.....	11
Item numbers for Transport fittings, rear kit 95900-16 .....	11
Strap back-long_410mm. Size 3 950033-KIT, size 4 950043-KIT .....	12
Item numbers for Strap back-long_410mm. Size 3 950033-KIT, size 4 950043-KIT .....	13
Strap back- 289 mm - short. Size 3 950031-KIT, size 4 950041-KIT.....	14
Item numbers for Strap back- 289 mm - short. Size 3 950031-KIT, size 4 950041-KIT .....	15
Turnable anti tip device, kit set 950958-1.....	16
Item numbers Turnable anti tip device, kit set 950958-1 .....	16

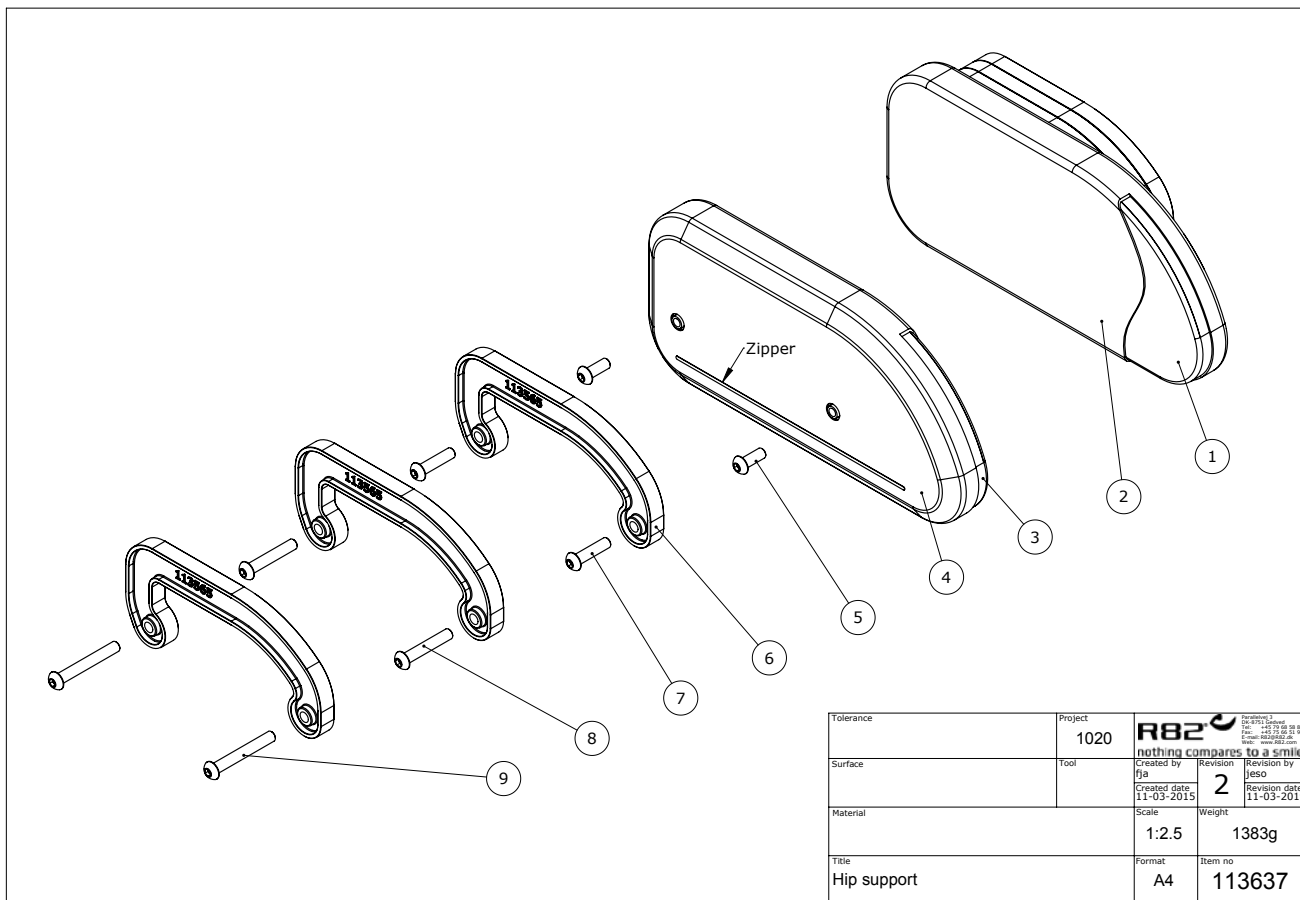
### Tray shape 8, with edge. Kit 9576351



### Item numbers for Tray shape 8, with edge. Kit 9576351

Position	Art nr.	Description	Quantity	Unit of measure	Ean code
1	76350	Table for Stingray, Grey	1	PCS	5707292541727
4	111547	Bracket for table, Right	1	PCS	5707292586940
7	1105080	Stainless washer 8mm	4	PCS	5707292140364
8	1100500	Spring washer 8mm, stainless	4	PCS	5707292140142
9	0661500	Button head screw 8x16 stainl.	4	PCS	5707292139559
10	2502002	Ferrule d18x0,8-2,5 black	4	PCS	5707292433947
11	111550	Bracket for table, Left	1	PCS	5707292586964
12	1940011	Plastite 60, 4x8	8	PCS	5707292545978
13	76351	Mounting plate	2	PCS	5707292541741
14	77557	Slide bar (M8x2)	2	PCS	5707292544995
15	0589500	Insex keys n5	1	PCS	5707292137869

Hip supports kit: size 1+2 95713-10, size 3+4 95713-20



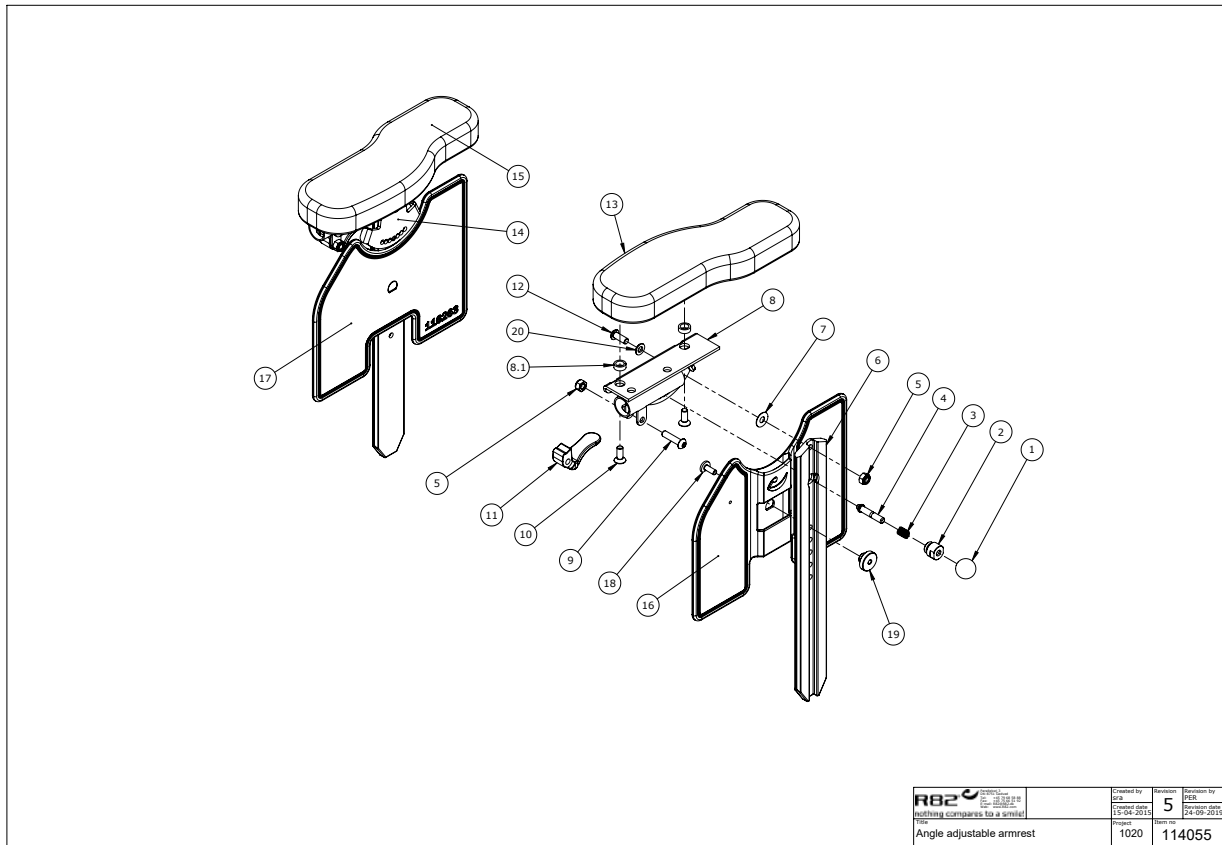
C:\EPDM\Projects\1020\Hip support\113637


Item numbers for Hip supports kit: size 1+2 95713-10, kit size 3+4 95713-20

Position	Art nr.	Description	Quantity	Unit of measure	Ean kode
1*	113627	Hipsupport w. Padding size 2	1	PCS	5707292600943
	113617	Hipsupport w. Padding size 1	1	PCS	5707292600851
2*	95713-20160L	Cover for hip support, left	1	PCS	5707292600974
	95713-10160L	Cover for hip support, left	1	PCS	5707292600967
3*	113628	Hipsupport w. Padding size 2	1	PCS	5707292600998
	113618	Hipsupport w. Padding size 1	1	PCS	5707292600936
4*	95713-20160R	Cover for hip support, right	1	PCS	5707292600721
	95713-10160R	Cover for hip support, right	1	PCS	5707292600714
5	0659500	Button head screw M6x16	4	PCS	5707292139450
6	113565	Distance piece	6	PCS	5707292600776
7	0659570	Button head screw 6x25 stainl.	4	PCS	5707292139474
8	0659585	Button head M6x35, stainless	4	PCS	5707292139498
9	0659600	Button head M6x45, stainless	4	PCS	5707292356826

\*Choose size, color or type

## Arm rests kit: 95712-20, 95712-40



 <small>Nothing compares to a smile!</small>	Created by	5	Revision by
	13-09-2015	24-09-2015	
Project	1020	114055	
Angle adjustable armrest			

### Item numbers for Arm rests kit: 95712-20, 95712-40

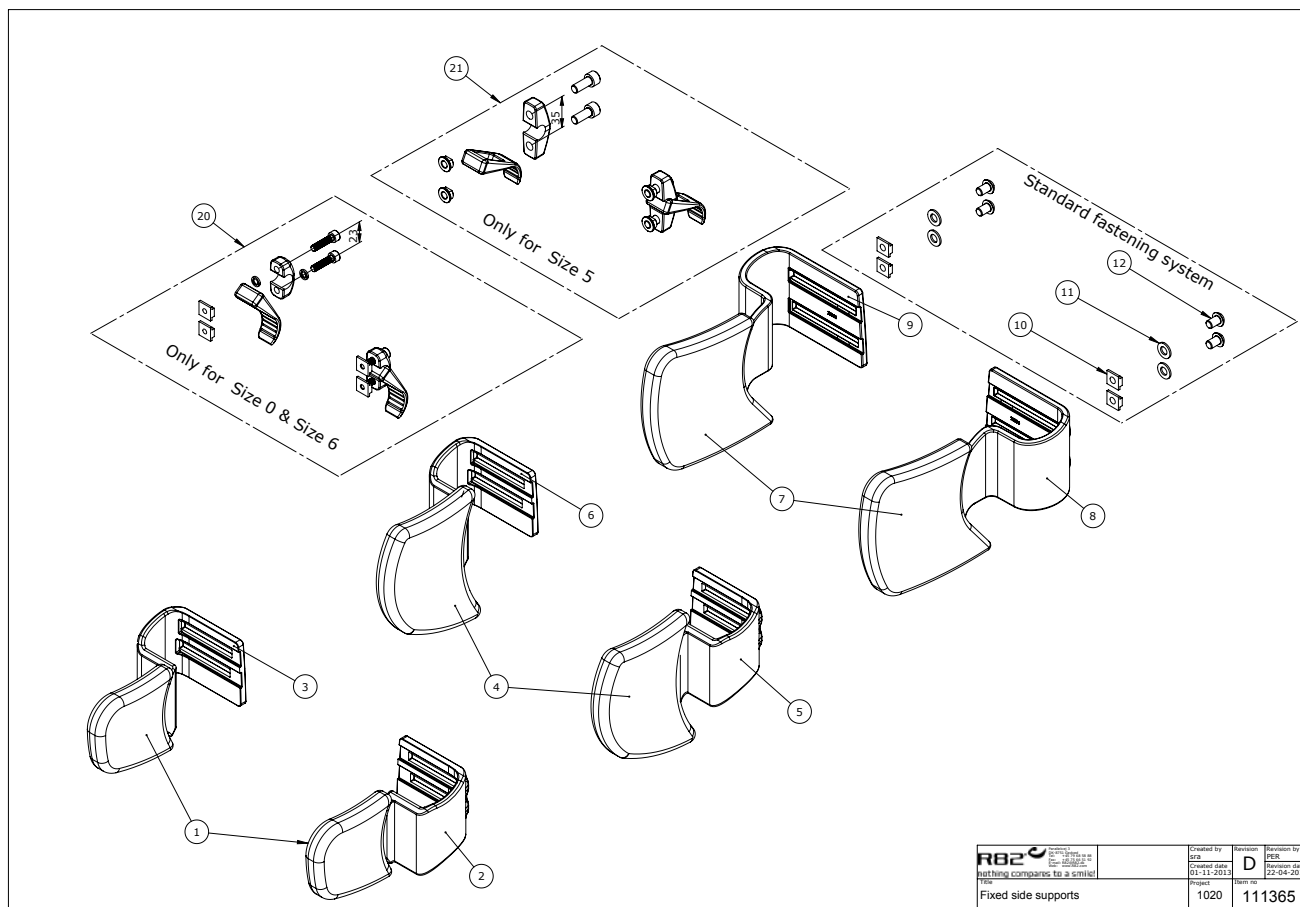
Position	Art nr.	Description	Quantity	Unit of measure	Ean code
1	3502008	Knob handle Ø20 M6	2	PCS	5707292146830
2	6118900	Springhouse, panda+impala	2	PCS	5707292186768
3	0310125	Pressure spring 0,9x8u/Ø12+0,5	2	PCS	5707292135575
4	6118810	Pin f/springhouse panda+impala	2	PCS	5707292186706
5	1606500	Lock nut 6 mm	4	PCS	5707292141361
6	114060	Armrest profile piece	2	PCS	5707292612182
7	1310709	Skive Ø15,9x6,5x0,5mm	2	PCS	5707292490520
8	114072	Angle adjustable armrest	1	PCS	5707292617606
8.1	1310539	Distance piece 12/8,4x5mm	4	PCS	5707292423474
9	0659570	Button head screw 6x25 stainl.	2	PCS	5707292139474
10	0621600	Insex screw counters. 6x16	4	PCS	5707292138965
11	113713	Armrest handle	2	PCS	5707292607867
12	0641200	Button head screw 6x12	2	PCS	5707292139252
13*	6175152	Armrest cushion, size 1, left	1	PCS	5707292189233
	6175160	Armrest pad,s.4,left,black	1	PCS	5707292189271
14	114071	Angle adjustable armrest	1	PCS	5707292617590
15*	6175150	Armrest cushion, size 1, right	1	PCS	5707292189226
	6175158	Armrest pad s.4,right,black	1	PCS	5707292189264
16*	116262	Adj. armrestsupport left Sz. 1-2	1	PCS	5707292618139
	116259	Adj. Armsupport left Sz. 3-4	1	PCS	5707292618146
17*	116263	Adj. armrest support right Sz. 1-2	1	PCS	5707292618115
	116260	Adj. armrest support right Sz. 3-4	1	PCS	5707292618122

\*Choose size, color or type

Position	Art nr.	Description	Quantity	Unit of measure	Ean kode
18	111101	Armrest bolt	2	PCS	5707292586056
19	111103	Armrest nut, Kudu	2	PCS	5707292586070

\*Choose size, color or type

Fixed side supports kit: 95401-10, 95401-20, 95401-30



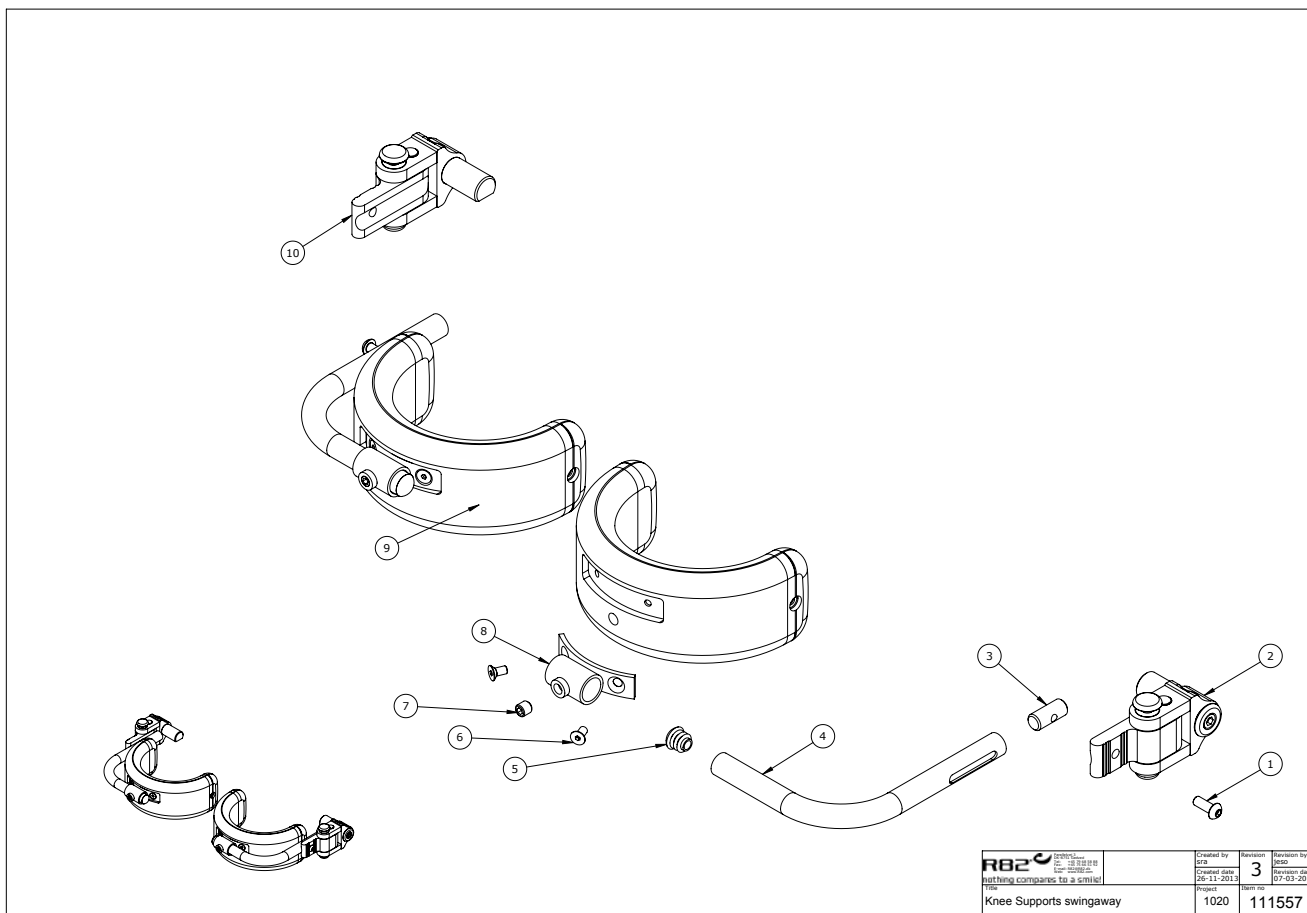
 <small>                 R82 A/S                  Parallelvej 3                  8751 Gedved                  Denmark                  Tel: +45 79 68 58 88                  Fax: +45 75 66 51 92                  E-mail: R82@etac.com                  Web: etac.com             </small>	Created by	Created by	Revision by
	SPB	D	PKB
Created date	01-11-2013	Revision date	22-04-2015
Project	1020	Part no.	111365
Fixed side supports			

Item numbers for Fixed side supports kit: 95401-10, 95401-20, 95401-30

Position	Art nr.	Description	Quantity	Unit of measure	Ean kode
1	5027197	Cover for back sides, size 0, Right+Left	2,00	Pieces	5707292587794
2	5700563	Back sides, size 0, Left	1,00	Pieces	5707292587770
3	5700564	Back sides, size 0, Right	1,00	Pieces	5707292587787
4	5027199	Cover for back sides, size 6, Right+Left	2,00	Pieces	5707292544193
5	5700566	Back sides, size 6, Right	1,00	Pieces	5707292538413
6	5700565	Back sides, size 6, Left	1,00	Pieces	5707292538406
7	5027204	Cover for back sides, size 5, Right+Left	2,00	Pieces	5707292514028
8	5700528	Back sides, size 5, Left	1,00	Pieces	5707292514004
9	5700529	Back sides, size 5, Right	1,00	Pieces	5707292514011
10	75203-1	M8 slide with threads	4,00	Pieces	5707292517593
11	1105080	Stainless washer 8mm	4,00	Pieces	5707292140364
12	0661300	Button head m/flange 8x12	4,00	Pieces	5707292408068

\*Choose size, color or type

## Swing-away knee supports kit: small 95860-10, medium 95860-20



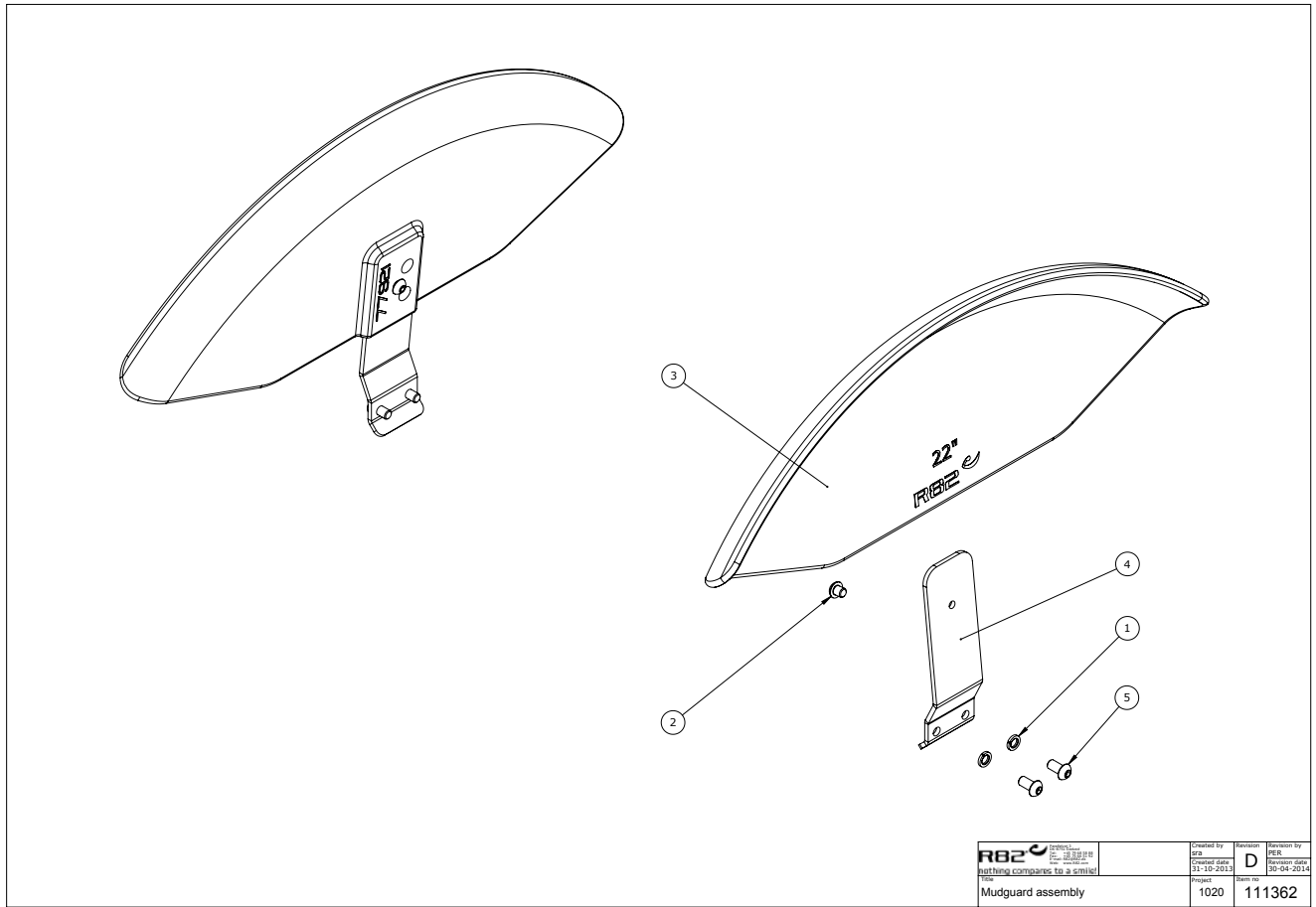
## Item numbers for Swing-away knee supports kit: small 95860-10, medium 95860-20

Position	Art nr.	Description	Quantity	Unit of measure	Ean kode
1	0659500	Button head screw	2	PCS	5707292139450
2	111558	Svingbar knæstøtte venstre	1	PCS	5707292588845
3	82935	Thread pal	2	PCS	5707292125903
4	82374	Curved knee brace Wombat	2	PCS	5707292123756
5	2501600	Ferrule d15x1,0 black	2	PCS	5707292143969
6	0609719	Stainless insex 5x10 uh	2	PCS	5707292446046
7	0808008	Stainless stop screw 8x8	2	PCS	5707292140036
8	82372	Holder for knee pelot	2	PCS	5707292123732
9*	6175161	Kneesupport size 1 Panda	2	PCS	5707292189288
	6175162	Kneesupport size 2 Panda	2	PCS	5707292189295
10	111559	Svingbar knæstøtte Højre	1	PCS	5707292588869

\*Choose size, color or type



Mudguards kit:P-952020, P-952022, P-952022-7, P-952024, P952024-7

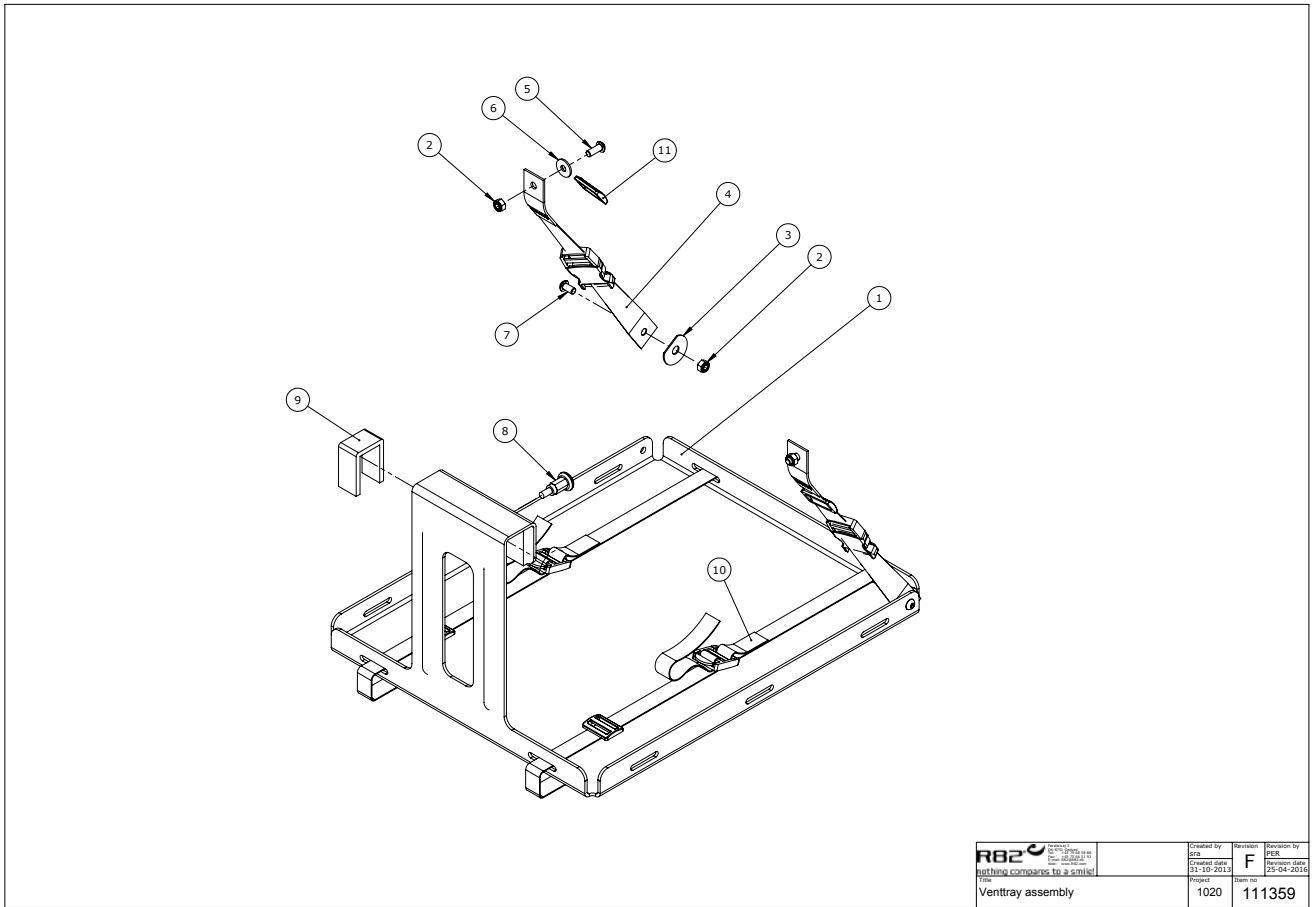


Item numbers for Mudguards kit:P-952020, P-952022, P-952022-7, P-952024, P952024-7

Position	Art nr.	Description	Quantity	Unit of measure	Ean kode
1	1100900	Spring washer M6 fzb, 6.1/9.9	4	PCS	5707292459336
2	0631961	Buttonhead M6x6,zn/fe&black	2	PCS	5707292577764
3*	77986	Fender 24"	2	PCS	5707292571700
	77921	Fender 22"	2	PCS	5707292571694
	77895	20" Fender	2	PCS	5707292571687
4*	111266	Fender mount 24"	2	PCS	5707292585950
	108137	Fender mount 20"	2	PCS	5707292585936
	111265	Fender mount 22"	2	PCS	5707292585943
	108137	Fender mount 20"	2	PCS	5707292585936
5	0663120	Button Head M6x16 stainless st	4	PCS	5707292581532

\*Choose size, color or type

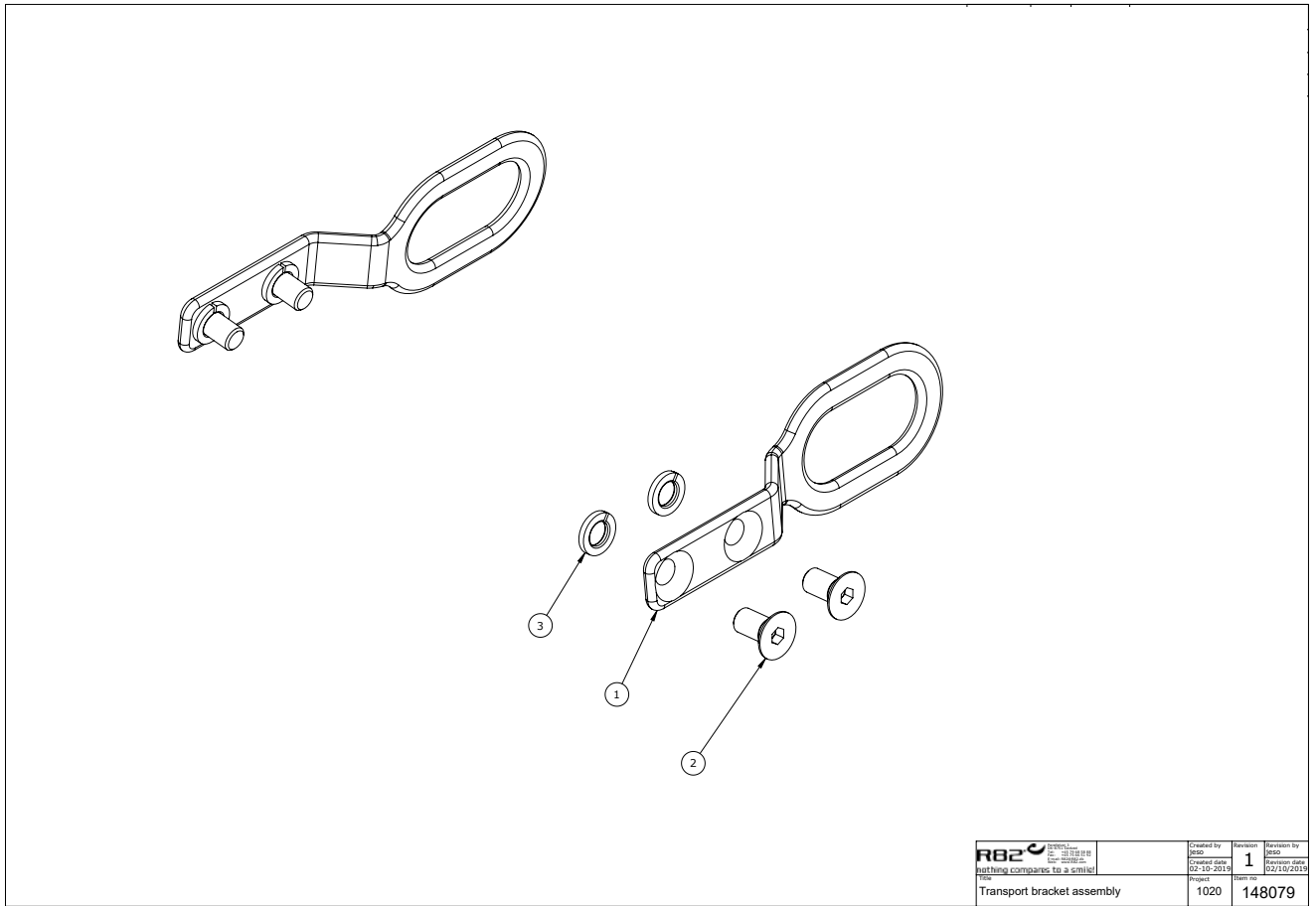
## Vent tray kit 95281-10



## Item numbers for Vent tray kit 95281-10

Position	Art nr.	Description	Quantity	Unit of measure	Ean kode
1	109123	Vent tray	1	PCS	5707292584038
2	1631060	Stainless lock nut 6mm	4	PCS	5707292141446
3	1125000	Screenwasher FZB black 5/16x30	2	PCS	5707292140470
4	5540541	Strap for vent tray	2	PCS	5707292552686
5	0659500	Button head screw M6x16	2	PCS	5707292139450
6	1130600	Stainless washer M6 din9021	2	PCS	5707292140517
7	0659200	Buttonhead screw M6x12 stainl.	2	PCS	5707292139436
8	0380187	Spec. House for lock, Kudu	1	PCS	5707292590831
9	I-109065	Shim Pad f. ventray	0,2	MTR	5707292577542
10	5540545	Strap for oxygen bottle	2	PCS	5707292480798
11	0467000	Belt clamp 25 mm black	2	PCS	5707292136558

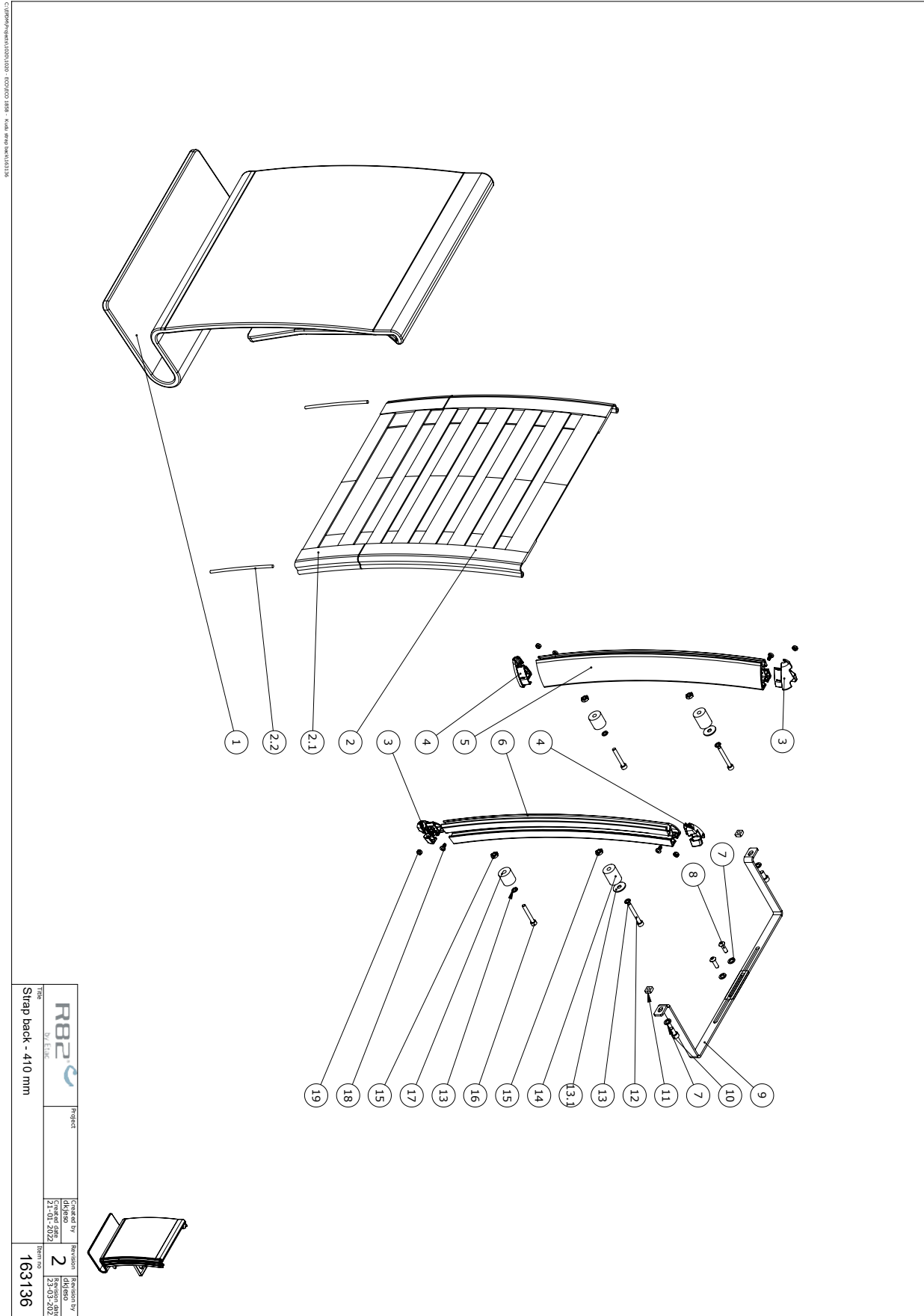
## Transport fittings, rear kit 95900-16



## Item numbers for Transport fittings, rear kit 95900-16

Position	Art nr.	Description	Quantity	Unit of measure	Ean code
1	139042	Clamping bracket	2	PCS	5707292845177
2	0602486	Insex M8x16	4	PCS	5707292434272
3	1100500	Spring washer 8mm, stainless	4	PCS	5707292140142

Strap back-long\_410mm. Size 3 950033-KIT, size 4 950043-KIT



		Project	
Title Strap back - 410 mm		Created by DRK/SO 21-01-2022	
Revision 2		Reviewed by DRK/SO 25-05-2022	
Item no 163136			

## Item numbers for Strap back-long\_410mm. Size 3 950033-KIT, size 4 950043-KIT

Position	Art nr.	Description	Quantity	Unit of measure	Ean kode
1*	50-63204-68	Cover 350 mm	1	PCS	5707292947376
	50-63205-68	Cover size 4 8375mm)	1	PCS	5707292948847
2	50-62953-60	Strap (loop) back	1	PCS	5707292947369
3	50-51131	Plastic end plug, right	2	PCS	5707292947345
4	50-51130	Plastic end plug left	2	PCS	5707292947338
5	50-83315-2	Left, back profile Prio 410mm	1	PCS	5707292947390
6	50-83315-1	Right, Back profile Prio 410mm	1	PCS	5707292947383
7	1100800	Center spring washer 6mm	4	PCS	5707292140166
8	0658016	Button head M5x16 stainless	2	PCS	5707292139399
9	161462	Bracket for cable extender	2	PCS	5707292944504
10	0602190	Insex screw 6x12	2	PCS	5707292138088
11	50-12058	4-edged nut	2	PCS	5707292947321
12	0602442	Insex M5x40 FZB	2	PCS	5707292947536
13	1100485	Spring washer M5, stainless	4	PCS	5707292478603
14	70024	Distance bush Ø20x25	2	PCS	5707292101327
15	1600510	Welding nut -Hexagonal	4	PCS	5707292947475
16	0602436	Insex M5x35 FZB	2	PCS	5707292947512
17	70023	Distance bush Ø20x20	2	PCS	5707292101310
18	50-11441	Bolt, for end plug	4	PCS	5707292947352
19	1606275	Lock nut 4mm, large pack	4	PCS	5707292141347
13.1	1102001	Washer 6x20x1,5 mm, RF	2	PCS	5707292565754
2.1	50-63351-60	Upholstery back 3A	1	PCS	5707292947406
2.2	50-28715	plastic for strap back	2	PCS	5707292952080

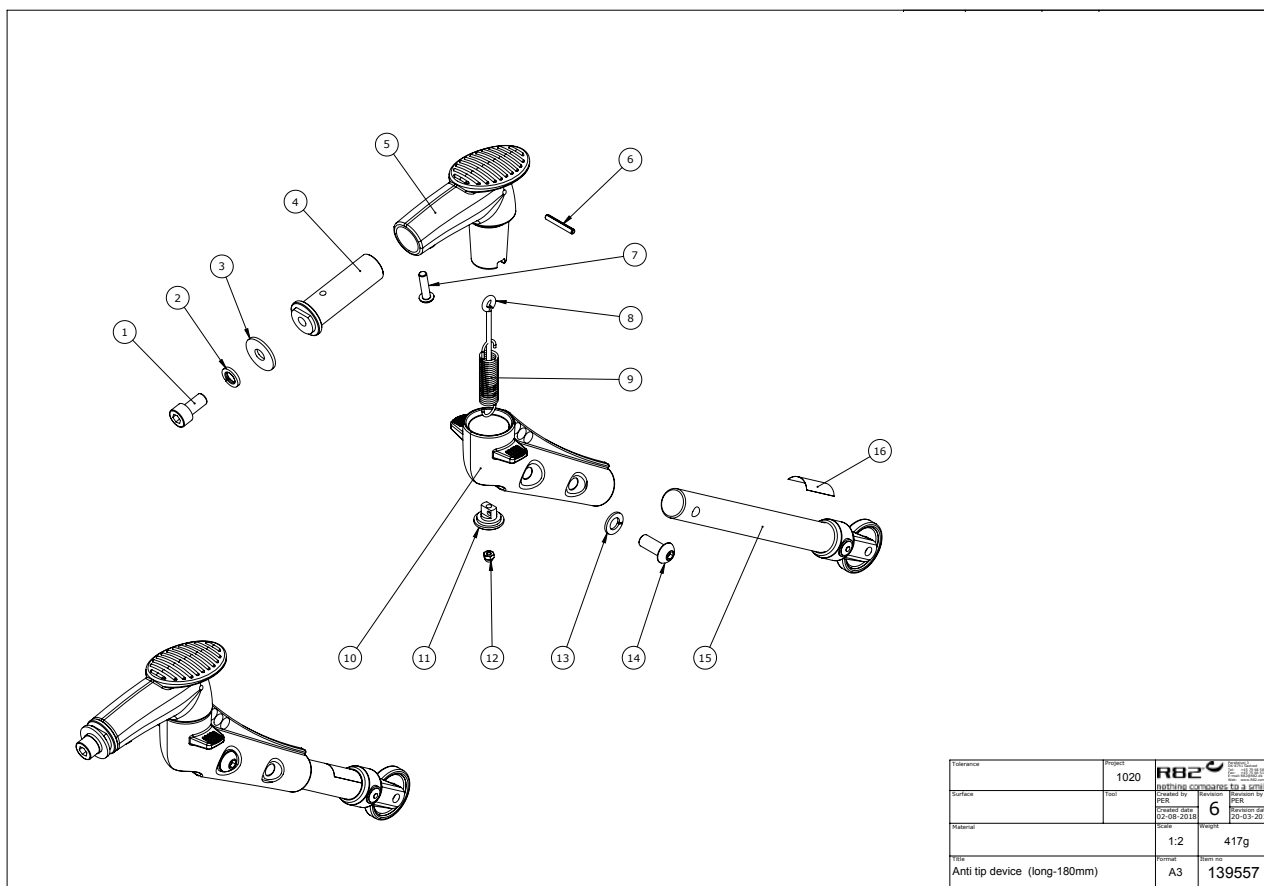
\*Choose size, color or type



## Item numbers for Strap back- 289 mm - short. Size 3 950031-KIT, size 4 950041-KIT

Position	Art nr.	Description	Quantity	Unit of measure	Ean kode
1*	50-63204-68	Cover 350 mm	1	PCS	5707292947376
	50-63205-68	Cover size 4 8375mm)	1	PCS	5707292948847
2	50-62953-60	Strap (loop) back	1	PCS	5707292947369
3	50-51131	Plastic end plug, right	2	PCS	5707292947345
4	50-51130	Plastic end plug left	2	PCS	5707292947338
5	50-83013-2	Right, back profile	1	PCS	5707292947314
6	50-83013-1	left, back profile	1	PCS	5707292947260
7	1100800	Center spring washer 6mm	4	PCS	5707292140166
8	0658016	Button head M5x16 stainless	2	PCS	5707292139399
9	161462	Bracket for cable extender	2	PCS	5707292944504
10	0602190	Insex screw 6x12	2	PCS	5707292138088
11	50-12058	4-edged nut	2	PCS	5707292947321
12	0602442	Insex M5x40 FZB	2	PCS	5707292947536
13	1100485	Spring washer M5, stainless	4	PCS	5707292478603
14	70024	Distance bush Ø20x25	2	PCS	5707292101327
15	1600510	Welding nut -Hexagonal	4	PCS	5707292947475
16	0602436	Insex M5x35 FZB	2	PCS	5707292947512
17	70023	Distance bush Ø20x20	2	PCS	5707292101310
18	50-11441	Bolt, for end plug	4	PCS	5707292947352
19	1606275	Lock nut 4mm, large pack	4	PCS	5707292141347
13.1	1102001	Washer 6x20x1,5 mm, RF	2	PCS	5707292565754
*Choose size, color or type					

## Turnable anti tip device, kit set 950958-1



## Item numbers Turnable anti tip device, kit set 950958-1

Position	Art nr.	Description	Quantity	Unit of measure	Ean kode
1	0602900	Insex screw 8x16	2	PCS	5707292138200
2	1100500	Spring washer 8mm, stainless	2	PCS	5707292140142
3	1108025	Washer M8, stainless a4, din9021	2	PCS	5707292140395
4	139558	Extended Antitip Mounting stud	2	PCS	5707292867490
5	138453	Top Joint	2	PCS	5707292867254
6	0532210	Span pin 1481 3x22 stainless	2	PCS	5707292423313
7	0658020	Button head M5 x 20, stainless	2	PCS	5707292139405
8	74642	Locking eye bolt, anttip, couga	2	PCS	5707292415752
9	0310520	Tension spring 1,5x12x55,5in	2	PCS	5707292406361
10	138280	Lower part anti tilt Kudu	2	PCS	5707292867018
11	6109361	Spring holder f/anti tip	2	PCS	5707292415479
12	1781030	Stainless top nut M3	2	PCS	5707292415769
13	1101075	Spring washer M8, wavy	2	PCS	5707292580962
14	0609816	Stainless insex screw 8x15	2	PCS	5707292138569
15	5097003	Extentionbar with wheel, long	2	PCS	5707292416209
16	0492052	Anti Tip Advice	2	PCS	5707292806130