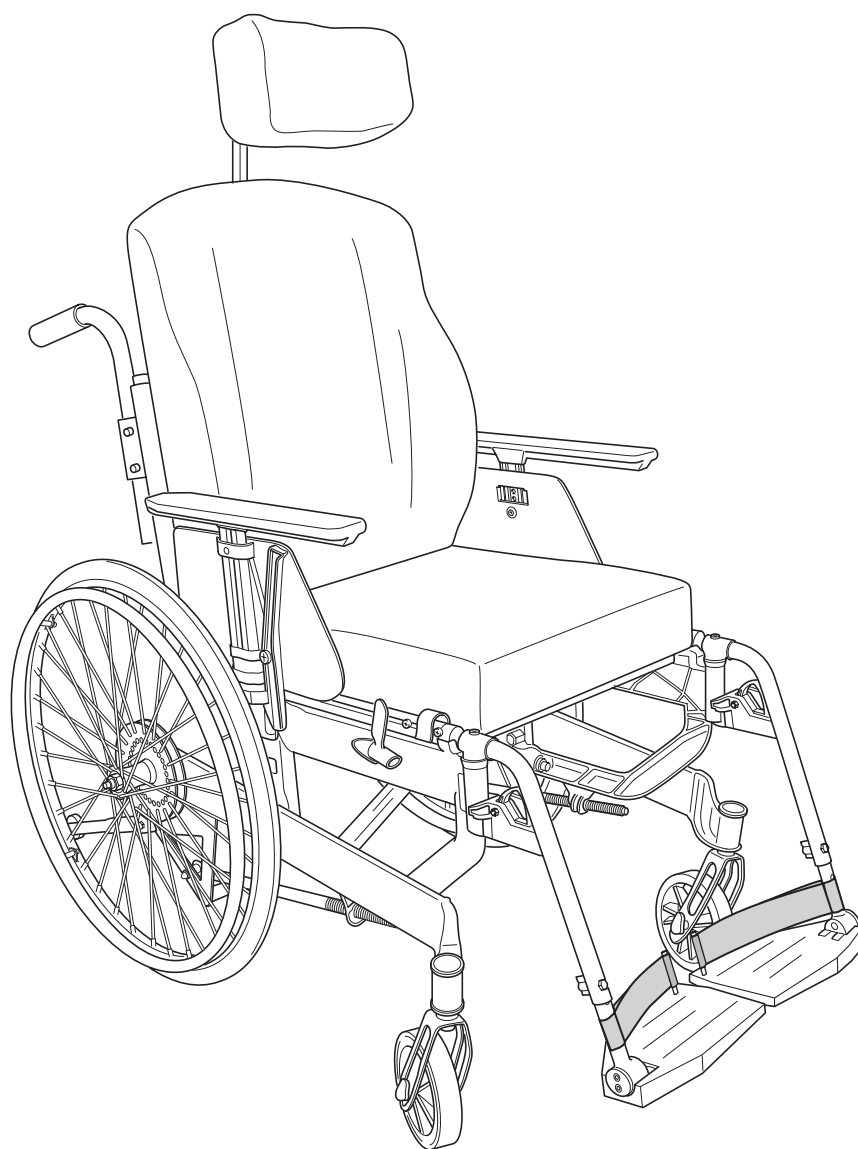


Next Comfort

Spareparts list

74895I 2015-06-25



Etac
Box 203, 334 24 Anderstorp
tel +46 371 58 73 00
fax +46 371 58 73 90
www.etac.com

 **etac**[®]

Contents

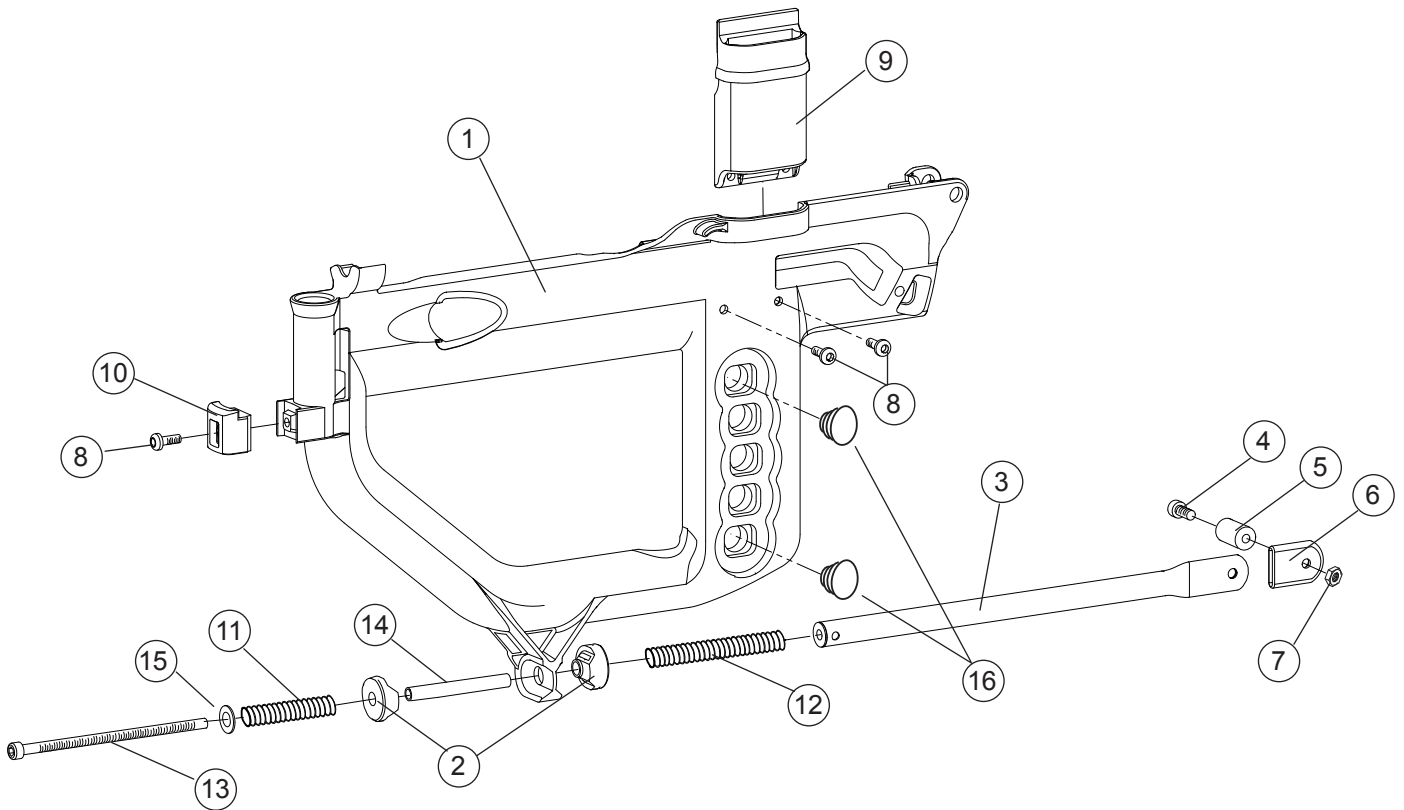
Standard	Page
Side frame	3
Side block/ Tilt	4
Cross frame	5-6
Backrest adjustable	7
Back support high	8
Bow handle	9
Bow handle adjustable	10
Backrest brace	11
Legrest	12-14
Amputation support	15
Legrest for plaster	16
Footrest	17
Whole footrest	18
Brake	19
Singlehand brake	20
Camber angle	21
Rear wheel compl	22
Tyre and innertube	23
Handrim	24
Castor and front fork	25
Solid seat	26
Plain seat	27
Upholstery seat	28
Seat cushion	29-30
Backrest ECS.....	31
Upholstery back	32
Cover back	33
Armrest	34
Armrestpad	35
Armrestpad Hemi	36
Tray.....	37
Tray Hemi	38
Anti tip	39
Spoke guard	40
Drum brake	41
Positioning belt	42
Headrest	43-44
Cane holder Universal	45
Angle limitation	46

Frame colour:

Blueberry blue= 48

Grey blaster= 53

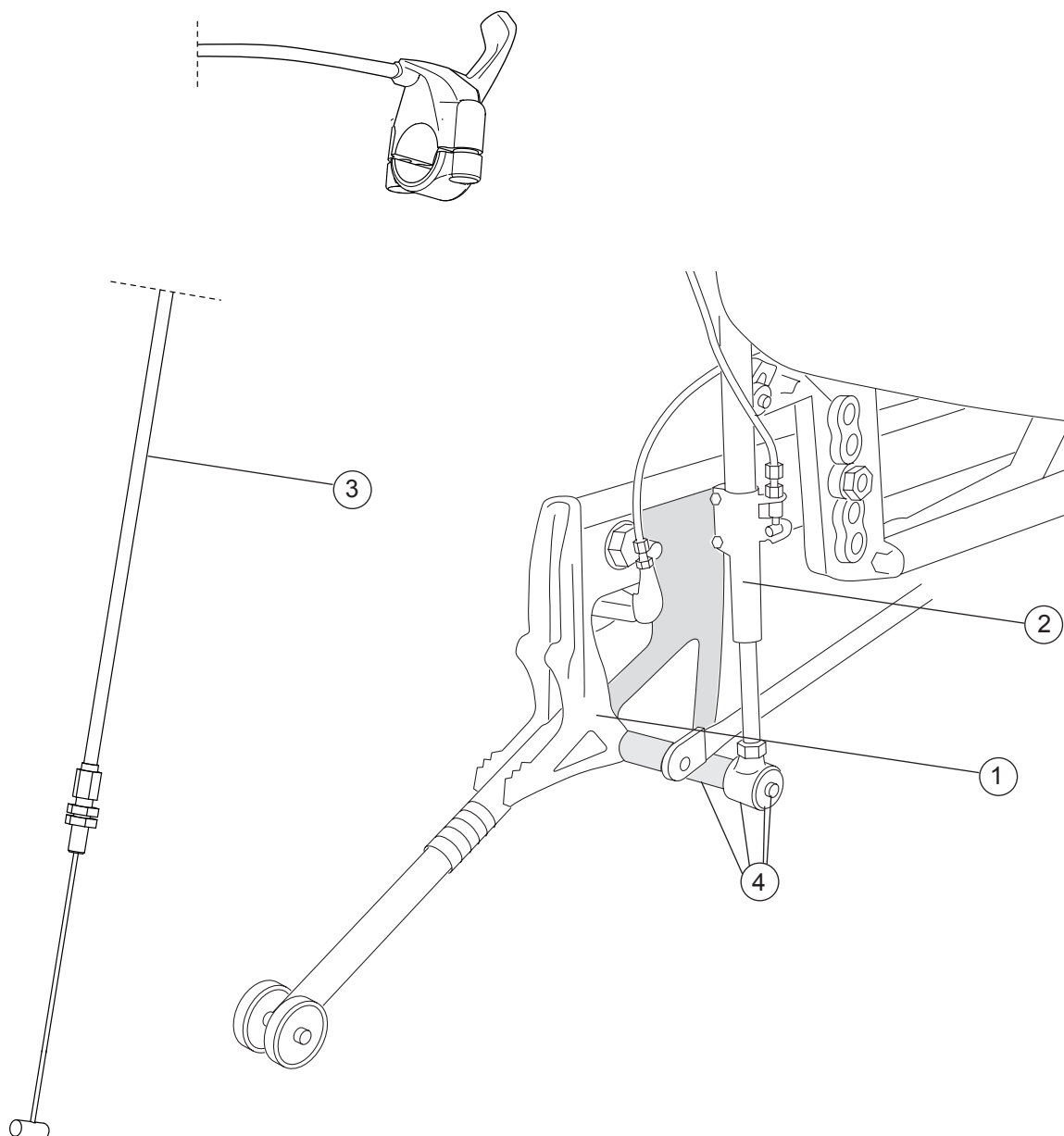
Side frame



Pos	Description	Item No
1-16	Side frame short right	26411-**-1
	Side frame short left	26411-**-2
	Side frame long right.....	26412-**-1
	Side frame long left	26412-**-2
2	Absorber brace side frame	50909
3	Bar side frame	26129-42
4	Screw M 6x 30 MC6S	11398
5	Spreader barside frame	20465
6	Dust cover bar side frame	50858
7	Locking nut M6	12035
8	Screw Dg 50x 14 WN	11528
9	Attachment armrest side frame	50846
10	Locking knob	50845
11	Spring BR 16x64	81790
12	Spring V 16x38	81789
13	Screw M6x140 MC6S	11559
14	Spacing collar	20473
15	Washer BRB 8.4x16x1.6 fzb	13001
16	Dust cover 19x 1.5 black	50010

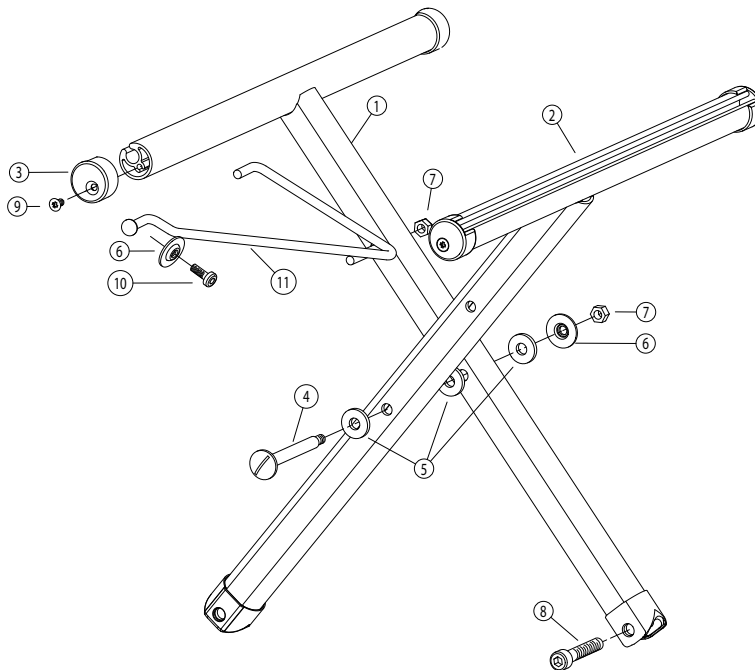
** Frame colour:
 48=Blueberry blue
 53=Grey blaster

Side block/Tilt



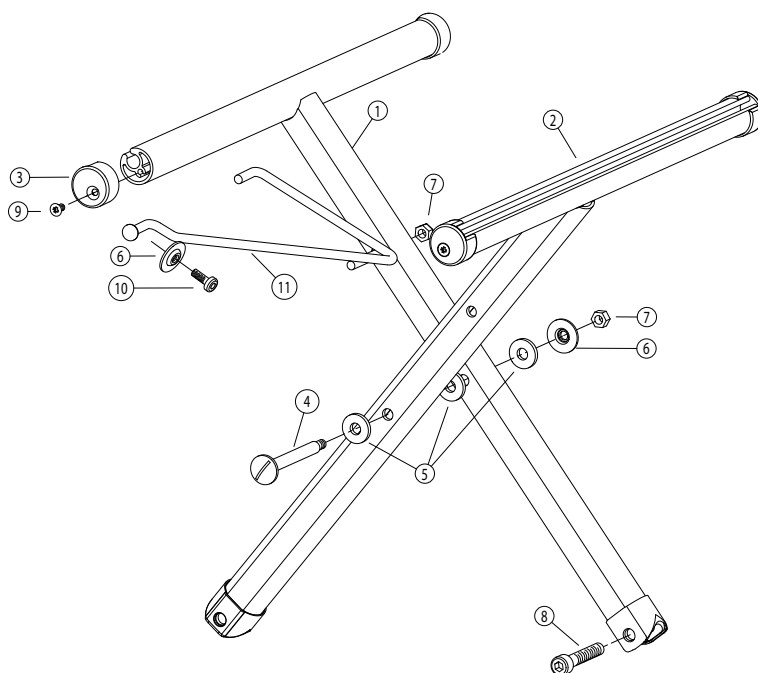
Pos	Description	Item No
1	Side block Next Comfort short grey right	26586-42
	Side block Next Comfort short grey left	26587-42
	Side block Next Comfort long grey right	26589-42
	Side block Next Comfort long grey left	26590-42
2	Locking device Next Comfort	82716
3	Wire kit Next Comfort	27177
4	Attachment damper Next Comfort	26416

Cross frame



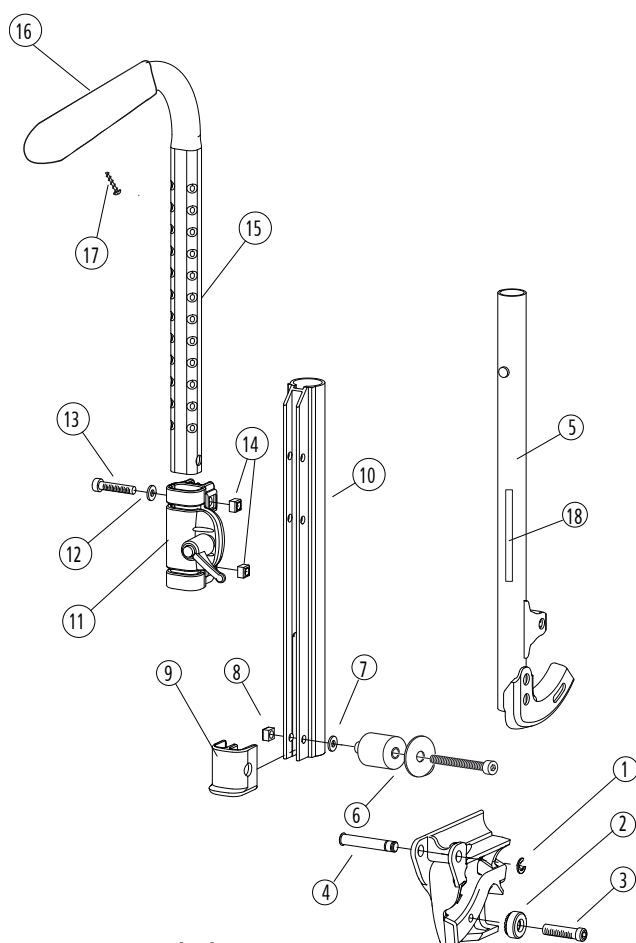
Pos	Description	Item No	Pos	Description	Item No	
1	Cross frame short 35 cm (14") right .	26075-42-1		Cross frame long 37,5 cm (15") left .	26085-42-2	
	Cross frame short 37,5 cm (15") right	26076-42-1		Cross frame long 40 cm (16") left	26086-42-2	
	Cross frame short 40 cm (16") right .	26077-42-1		Cross frame long 42,5 cm (17") left	26087-42-2	
	Cross frame short 42,5 cm (17") right	26078-42-1		Cross frame long 45 cm (18") left	26088-42-2	
	Cross frame short 45 cm (18") right .	26079-42-1		Cross frame long 47,5 cm (19") left .	26089-42-2	
	Cross frame short 47,5 cm (19") right	26080-42-1		Cross frame long 50 cm (20") left	26090-42-2	
	Cross frame short 50 cm (20") right .	26081-42-1	3	Plug seat tube Cross	50406	
	Cross frame long 35 cm (14") right ..	26084-42-1	4	Axle cross part	20437	
	Cross frame long 37,5 cm (15") right	26085-42-1	5	Washer D20 d9 t=3	50847	
	Cross frame long 40 cm (16") right ..	26086-42-1	6	Washer cross part	13075	
	Cross frame long 42,5 cm (17") right	26087-42-1	7	Locking nut M 6	12035	
	Cross frame long 45 cm (18") right .	26088-42-1	8	Screw M8 x45 MC6S 8.8	11557	
	Cross frame long 47,5 cm (19") right	26089-42-1	9	Screw B8x16 FXS	11401	
	Cross frame long 50 cm (20") right ..	26090-42-1	10	Screw DG 50x 14 WN	11528	
	2	Cross frame short 35 cm (14") left ...	26075-42-2	11	Delta bar Next 35 cm (14")	81205
		Cross frame short 37,5 cm (15") left	26076-42-2		Delta bar Next 37,5 cm (15")	81206
		Cross frame short 40 cm (16") left ...	26077-42-2		Delta bar Next 40 cm (16")	81207
Cross frame short 42,5 cm (17") left		26078-42-2		Delta bar Next 42,5 cm (17")	81208	
Cross frame short 45 cm (18") left ..		26079-42-2		Delta bar Next 45 cm (18")	81209	
Cross frame short 47,5 cm (19") left		26080-42-2		Delta bar Next 47,5 cm (19")	81210	
Cross frame short 50 cm (20") left ..		26081-42-2		Delta bar Next 50 cm (20")	81211	
Cross frame long 35 cm (14") left		26084-42-2				

Cross frame kit

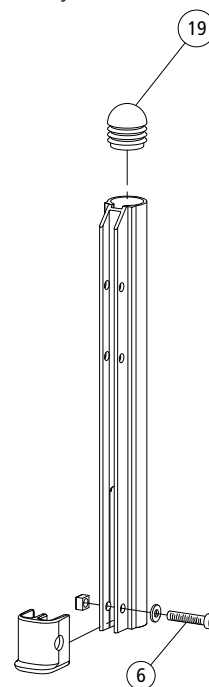


Pos	Description	Item No
1-11	Cross frame kit Next short 35 cm (14")	26101-42
	Cross frame kit Next short 37,5 cm (15")	26103-42
	Cross frame kit Next short 40 cm (16")	26105-42
	Cross frame kit Next short 42,5 cm (17")	26107-42
	Cross frame kit Next short 45 cm (18")	26109-42
	Cross frame kit Next short 47,5 cm (19")	26111-42
	Cross frame kit Next short 50 cm (20")	26113-42
	Cross frame kit Next long 35 cm (14")	26102-42
	Cross frame kit Next long 37,5 cm (15")	26104-42
	Cross frame kit Next long 40 cm (16")	26106-42
	Cross frame kit Next long 42,5 cm (17")	26108-42
	Cross frame kit Next long 45 cm (18")	26110-42
	Cross frame kit Next long 47,5 cm (19")	26112-42
	Cross frame kit next long 50 cm (20")	26114-42

Backrest adjustable

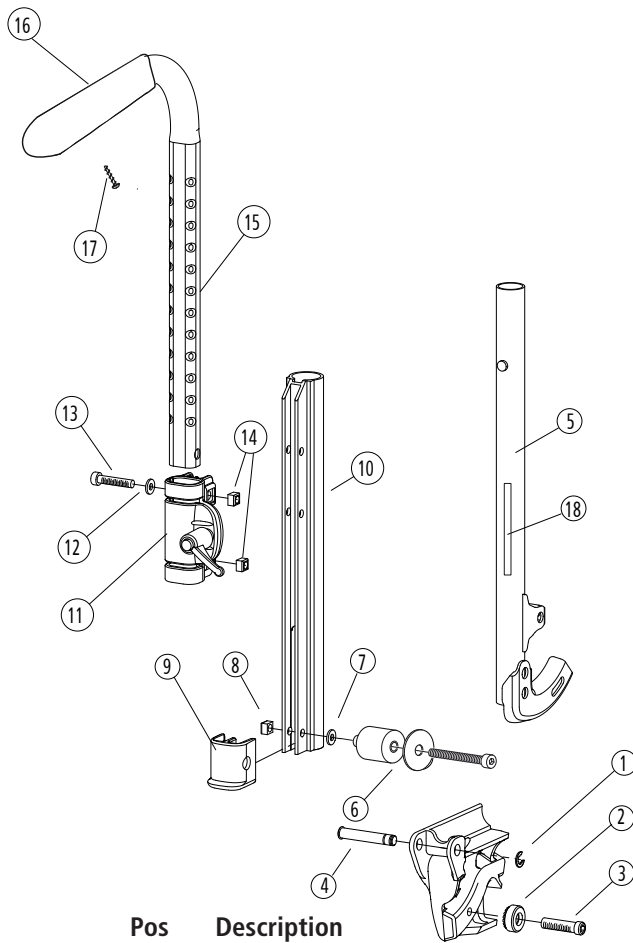


With adjustable backrest upholstery

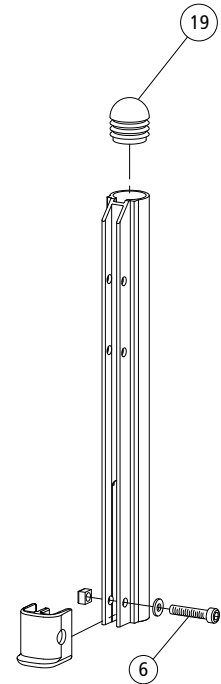


Pos	Description	Item No
1	Cir clip RSM 6 stainless	13036
2	Spacer 20/8.5/9.5	20320
3	Screw M6x25 MC6S 12.9	11317
4	Axle back joint Next Comfort	20505
5	Backrest tube Next right	26133-01-1
	Backrest tube Next left	26133-01-2
6	Attachment kit ECS backrest (part of)	26630
	Screw M6x22 MC6S	11012
7	Washer BRB 6,4x10x1.5	13080
8	Square nut high M6 black	12058
9	Dust cover Cross back right	50405
	Dust cover Cross back left	50407
10	Wedge back	80851
11	Attachment push handles	25676
12	Washer BRB M 6 black	13030
13	Screw M 6x30 MC6S	11398
14	Square nut high M6 black	12058
15-17	Push handle height adj compl	27588-01
15	Push handle height adj	27583-01
16	Cover for handle.....	82221
17	Screw B 8 x 16	11041
18	Label height adjustment	71851
19	Plug 25-21 / 23 R12.5	50248

Back support high

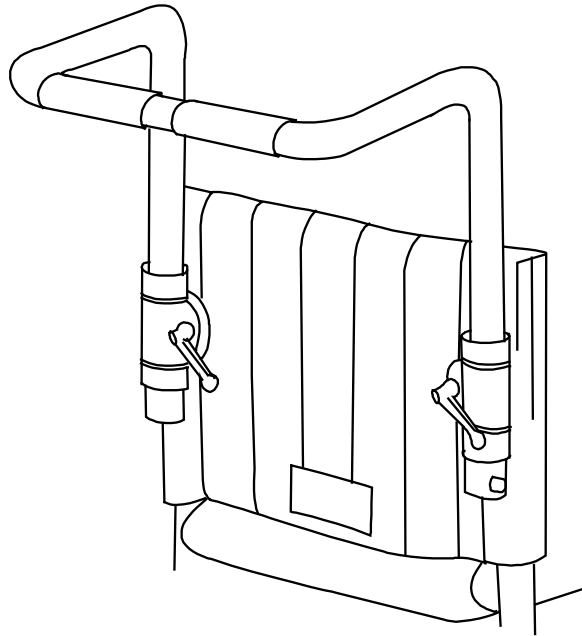


With adjustable backrest upholstery



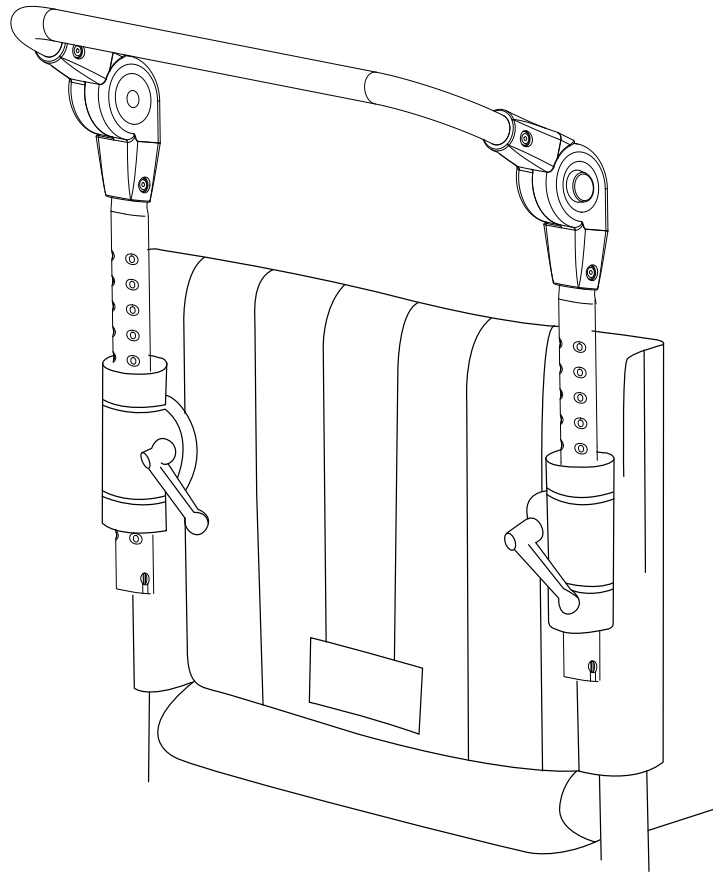
Pos	Description	Item No
1	Cir clip RSM 6 stainless	13036
2	Spacer 20/8.5/9.5	20320
3	Screw M6x25 MC6S 12.9	11317
4	Axle back joint Next Comfort	20505
5	Backrest tube 55 cm Next right	26890-01-1
	Backrest tube 55 cm Next left	26890-01-2
6	Attachment kit ECS backrest (part of)	26630
	Screw M6x22 MC6S	11012
7	Washer BRB 6,4x10x1.5	13080
8	Square nut high M6 black	12058
9	Dust cover Cross back right	50405
	Dust cover Cross back left	50407
10	Wedge back	80851
11	Attachment push handles	25676
12	Washer BRB M 6 black	13030
13	Screw M 6x30 MC6S	11398
14	Square nut high M6 black	12058
15-17	Push handle height adj compl	27588-01
15	Push handle height adj	27583-01
16	Cover for handle.....	82221
17	Screw B 8 x 16	11041
18	Label height adjustment	72332
19	Plug 25-21 / 23 R12.5	50248

Bow handle



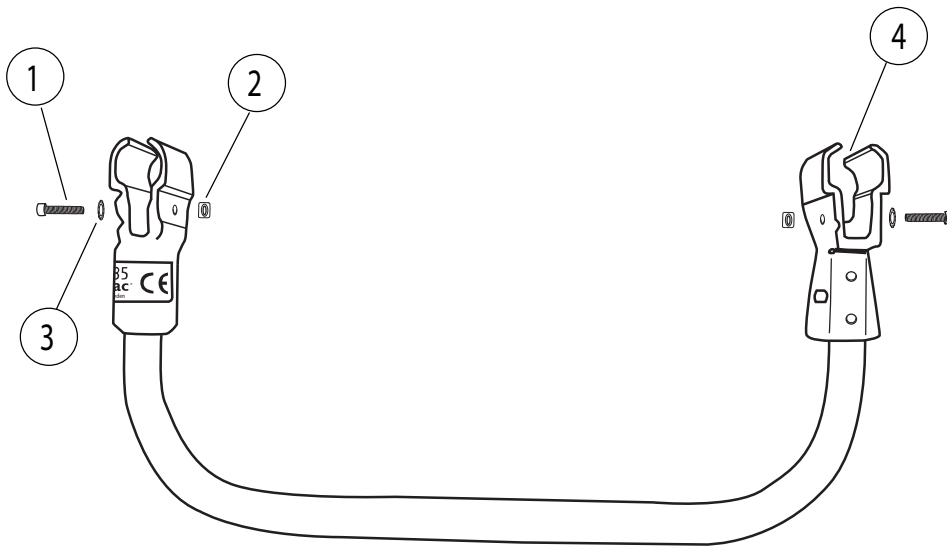
Pos	Description	Item No.
1	Bow handle Cross back2 35 cm back 3A 37.5 cm height adj compl.....	25578-01
	Bow handle Cross back2 37.5 cm back 3A 40 cm height adj compl.....	25579-01
	Bow handle Cross back2 40 cm back 3A 42 cm height adj comp.....	25580-01
	Bow handle Cross back2 42.5 cm back 3A 45 cm height adj comp.....	25581-01
	Bow handle Cross back2 45 cm back 3A 47.5 cm height adj comp.....	25582-01
	Bow handle Cross back2 47.5 cm back 3A 50 cm height adj comp.....	25730-01
	Bow handle Cross back2 50 cm height adj compl.....	25583-01

Bow handle adjustable



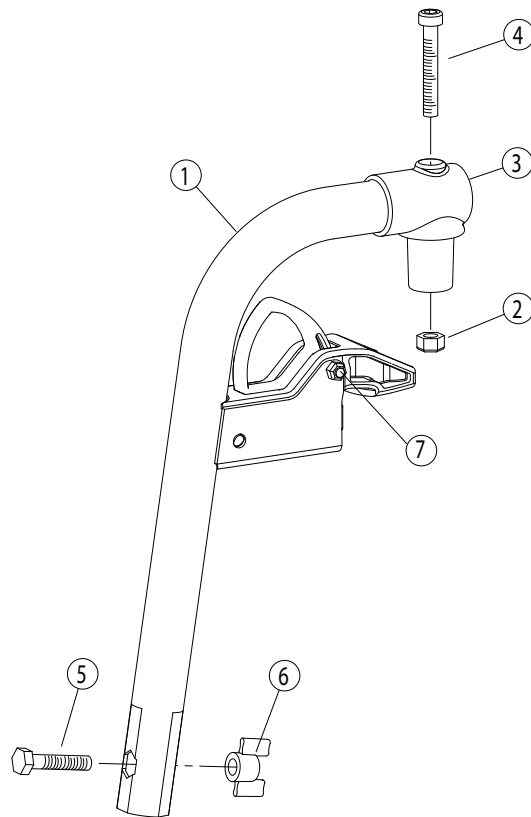
Pos	Description	Item No
1	Bow handle angle adj Next Comf 35 cm (14)	27161
	Bow handle angle adj Next Comf 37.5 cm (15) ..	27162
	Bow handle angle adj Next Comf 40 cm (16)	27163
	Bow handle angle adj Next Comf 42.5 cm (17) ..	27164
	Bow handle angle adj Next Comf 45 cm (18)	27165
	Bow handle angle adj Next Comf 47.5 cm (19) ..	27166
	Bow handle angle adj Next Comf 50 cm (20)	27167

Backrest brace



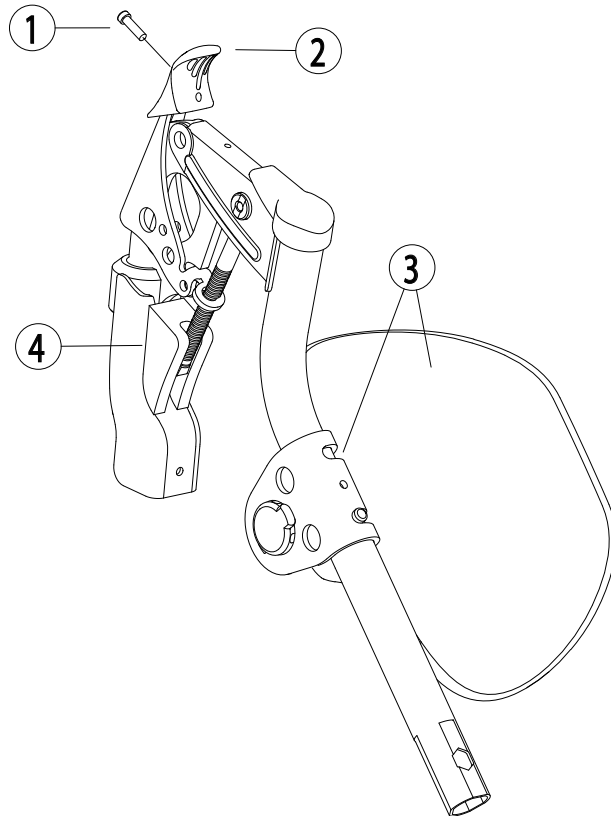
Pos	Description	Item No
1-4	Backrest brace 35 cm Cross backrest 2/M100/ 37.5 cm back 3A compl.....	25610
	Backrest brace 37.5 cm Cross backrest 2/M100/ 40 cm back 3A compl.....	25611
	Backrest brace 40 cm Cross backrest 2/M100/ 42.5 cm back 3A compl.....	25612
	Backrest brace 42.5 cm Cross backrest 2/M100/ 45 cm back 3A compl.....	25613
	Backrest brace 45 cm Cross backrest 2/M100/ 47.5 cm back 3A compl.....	25614
	Backrest brace 50 cm Cross backrest 2/M100/ 52.5 cm back 3A compl.....	25615
1	Screw M 6x 30 MC6S fzb	11019
2	Square nut high M6	12058
3	Washer 6.4x11x0.7 fzb DIN 6798	13068
4	Backrest brace attachment	25576-01

Legrest



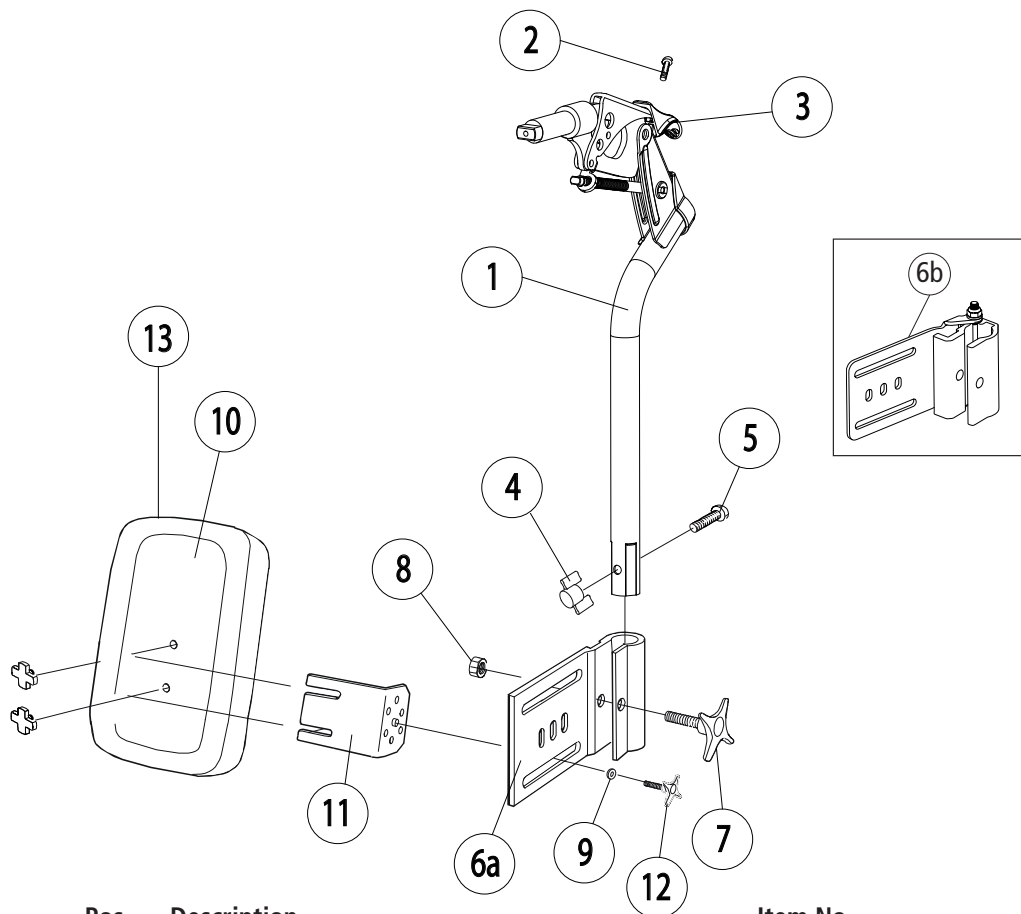
Pos	Description	Item No
1-7	Legrest Next wide angle lockable	26120-42
1-7	Legrest Next narrow angle lockable	26121-42
1-7	Legrest Next narrow angle short lockable	26363-42
2	Locking nut M 6	12035
3	Pin legrest Next	50854
4	Screw M6x 35 MC6S	11533
5	Screw M6x 30 M6S	11555
6	Wing nut WN 314.1	80847
7	Locking nut M4 domed A2	12000

Legrest elevating



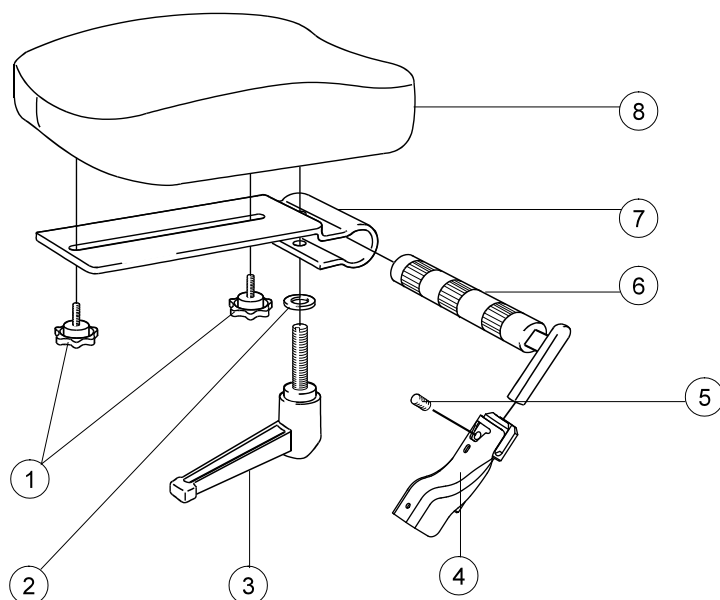
Pos	Description	Item No
1-2,4	Legrest elevating without calf support Next	27148
1	Screw K40x14 PT-KX black	11419
2	Handle adj legrest	50842
3	Calf support compl adj legrest	26136
4	Finger protection elevating legrest Next	50881
1-4	Legrest elevating compl Next	26207

Legrest elevating with calf support



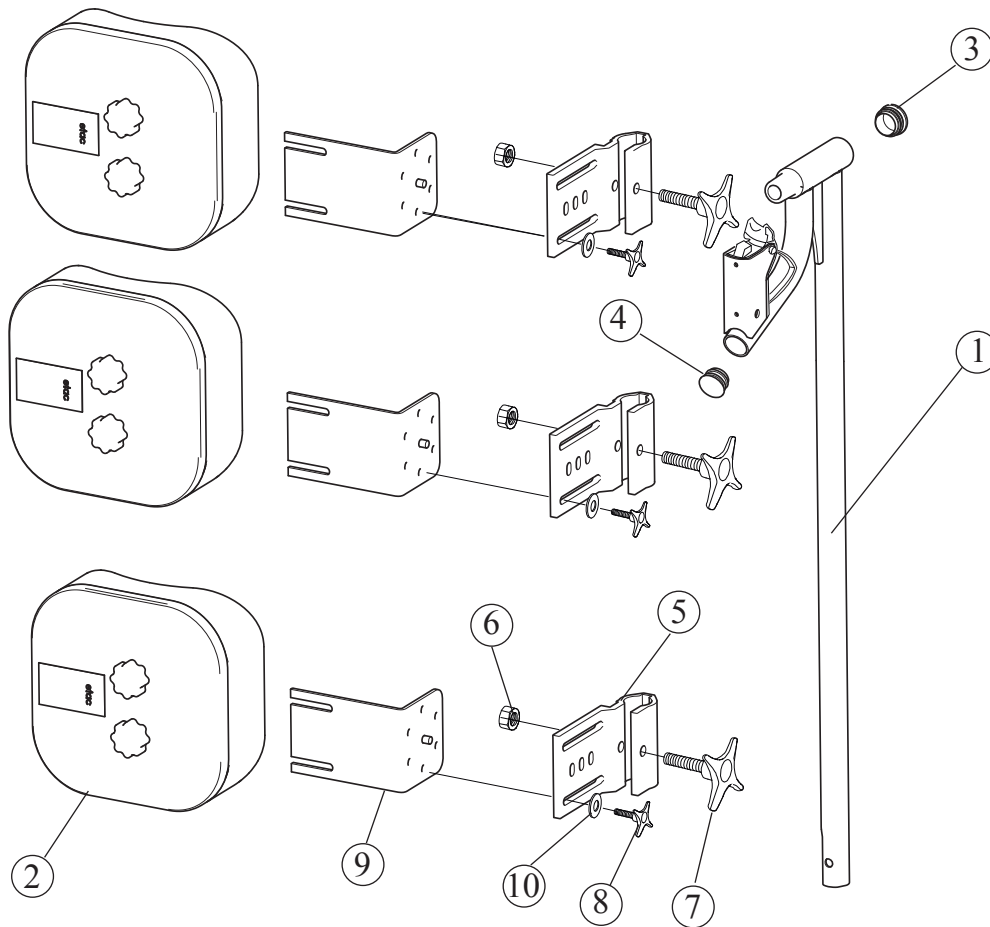
Pos	Description	Item No
1-5	Legrest elevating without calf support Next	27148
2	Screw K40x14 PT-KX black	11419
3	Handle adj legrest	50842
4	Wing nut WN 314.1 25-M 6 polyamid.....	80847
5	Screw M6x30 M6S	11555
6a	Attachment legrest elevating	24446-01
7	Knob 60x22 M 8x32 black	80295
8	Nut M6M M 8 fzb	12006
9	Washer 6.4x17x3 DIN 7349 steel fzb	13052
10	Calf support 35-37.5 cm (14"-15") dark grey	62105-60
	Calf support 40-42.5 cm (16"-17") dark grey	62104-60
	Calf support 45-47.5 cm (18"-19") dark grey	62484-60
	Calf support 50-60 cm (20"-24") dark grey	62451-60
11	Holder for calf support legrest elevating black	24421-01
12	Knob 40 M 6x17 black	80297
6a-12	Attachment legrest elevating with holder Cross black	24544-01
6b-12	Attachment legrest FlipUp elevating with holder black	27322-01
13	Cover calf support 35-37.5	62888-60
	Cover calf support 40-42.5	62889-60
	Cover calf support 45-47.5	62890-60
	Cover calf support 50-60	62906-60

Legrest amputee



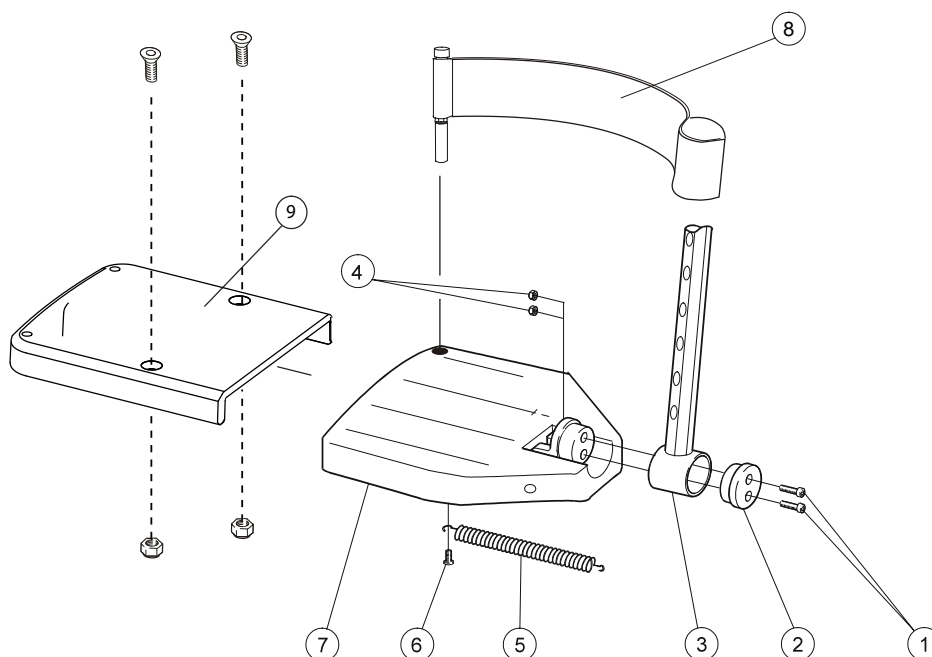
Pos	Description	Item No
1-8	Legrest amputee compl dark grey	26205-60
	Legrest amputee compl Dartex	26205-63
1	Knob M 5x15 legrest amputee	80807
2	Washer BRB 8.4/A2 stainless	13011
3	Lock handle M8x35 83mm	80808
4	Attachement legrest amputee	26206-01
5	Stop screw M 8x 8 black	11388
6	Axle legrest amputee compl	25519-01
7	Attachment calf support legrest amputee	80809
8	Support pad legrest amputee dark grey	62335-60
	Support pad legrest amputee Dartex	62335-63

Legrest for plaster



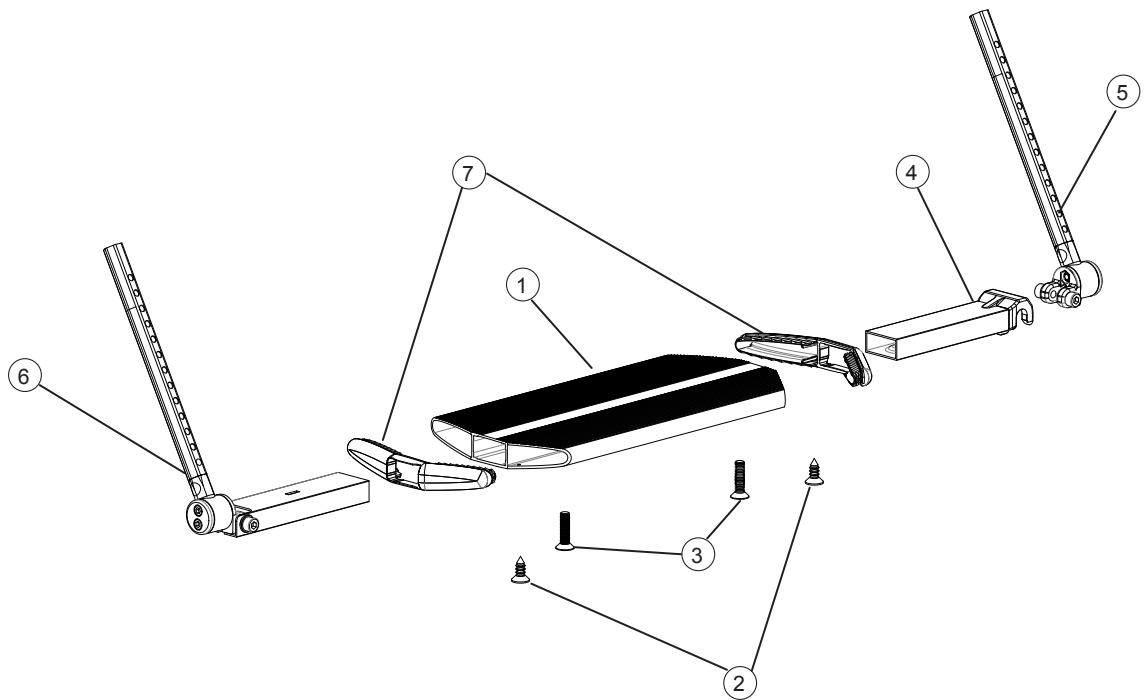
Pos	Description	Item No
1-8	Legrest for plaster Next ri compl	27423-1
	Legrest for plaster Next le compl	27423-2
1	Legrest for plaster Next	27424
2	Pad legrest for plaster	82520
3	Dust cover legrest	50287
4	Dust cover 22x1.5 black	50070
5	Attachment legrest elevating Cross	24446-01
6	Nut M6M M 8 fzb	12006
7	Knob 60x22 M 8x32 black.....	80295
8	Knob 40 M 6x17 black	80297
9	Holder for calf support legrest elevating black	24421-01
10	Washer 6.4x17x3 DIN 7349 steel fzb	13052
5-10	Attachment legrest elevating with holder Cross black	24544-01

Footrest



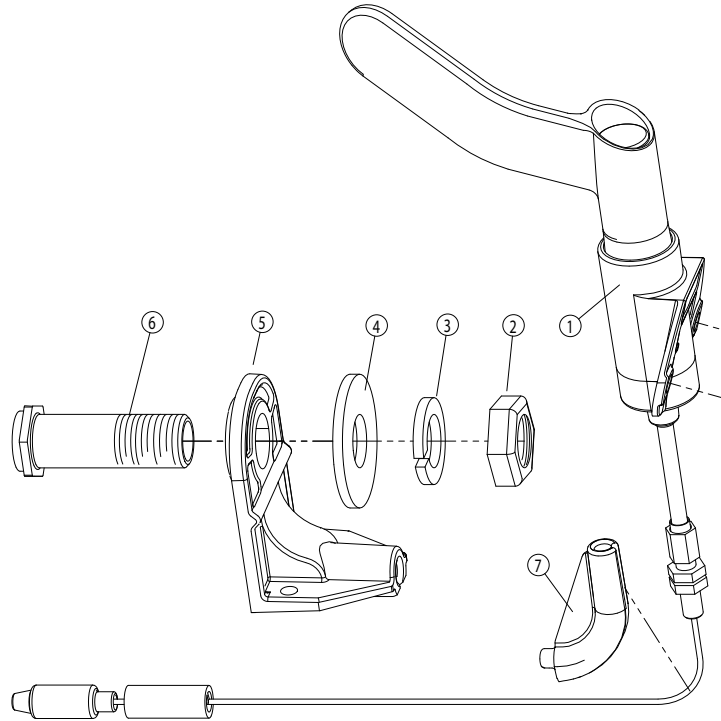
Pos	Description	Item No	Pos	Description	Item No
1	Screw M6x25 MC65 8.8 fzb.....	11033		Footrest short 40 cm (16") right	25655-1
2	Locking block footrest plastic	20324		Footrest short 40 cm (16") left	25655-2
3	Attachment tube legrest short c/c 15 mm black	81999		Footrest short 42,5 cm (17") right	25656-1
	Attachment tube legrest std c/c 15 mm black	81997		Footrest short 42,5 cm (17") left	25656-2
	Attachment tube legrest long c/c 15 mm black	81998		Footrest short 45 cm (18") right	25657-1
				Footrest short 45 cm (18") left	25657-2
				Footrest short 47,5 cm (19") right	25738-1
				Footrest short 47,5 cm (19") left	25738-2
4	Locking nut M6 DIN 985-6 fzb	12017		Footrest short 50 cm (20") right	25658-1
5	Spring footplate plastic	80619		Footrest short 50 cm (20") left	25658-2
6	Screw K40x8 PT -KK PHIL WN 1442 fzb	11344		Footrest long 35 cm (14") right	25647-1
1-7	Footrest standard 35 cm (14") right	25641-1		Footrest long 35 cm (14") left	25647-2
	Footrest standard 35 cm (14") left	25641-2		Footrest long 37,5 cm (15") right	25648-1
	Footrest standard 37,5 cm (15") right	25642-1		Footrest long 37,5 cm (15") left	25648-2
	Footrest standard 37,5 cm (15") left	25642-2		Footrest long 40 cm (16") right	25649-1
	Footrest standard 40 cm (16") right.....	25643-1		Footrest long 40 cm (16") left	25649-2
	Footrest standard 40 cm (16") left.....	25643-2		Footrest long 42,5 cm (17") right	25650-1
	Footrest standard 42,5 cm (17") right	25644-1		Footrest long 42,5 cm (17") left	25650-2
	Footrest standard 42,5 cm (17") left	25644-2		Footrest long 45 cm (18") right	25651-1
	Footrest standard 45 cm (18") right	25645-1		Footrest long 45 cm (18") left	25651-2
	Footrest standard 45 cm (18") left	25645-2		Footrest long 47,5 cm (19") right	25737-1
	Footrest standard 47,5 (19") right	25736-1		Footrest long 47,5 cm (19") left	25737-2
	Fotplatta standard 47,5 cm (19") left	25736-2		Footrest long 50 cm (20") right	25652-1
	Footrest standard 50 cm (20") right	25646-1		Footrest long 50 cm (20") left	25652-2
	Footrest standard 50 cm (20") left	25646-2	9	Footrest extension 40-42.5 cm compl set	50798
	Footrest short 35 cm (14") right	25653-1		Footrest extension 45-47.5 cm compl set	50799
	Footrest short 35 cm (14") left	25653-2		Footrest extension 50 cm compl set ..	50800
	Footrest short 37,5 cm (15") right	25654-1			
	Footrest short 37,5 cm (15") left	25654-2			

Whole footrest



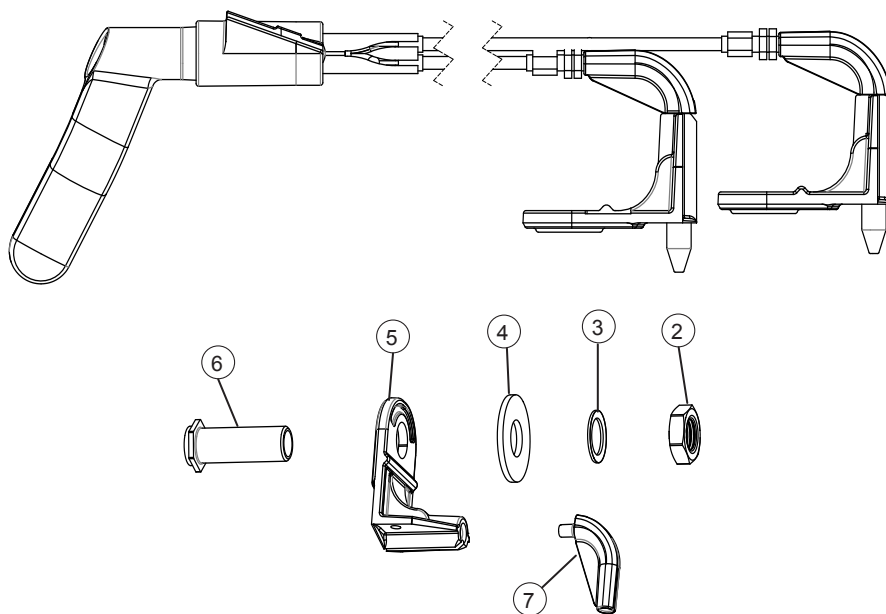
Pos	Benämning	Art Nr
1-7	Footrest one piece 35-37.5 cm compl	25936
	Footrest one piece 40-50 cm compl	25937
	Footrest one piece 50-60 cm compl	26853
1	Whole footrest 35-37.5 cm	81130
	Whole footrest 40-50 cm	81131
	Whole footrest 50-60 cm	81993
2	Screw B 6 3.5x 9.5 FXS black chrome	11384
3	Screw M 5x 20 MF6S black chrome	11526
4	Locking joint footrest compl	25932
5	Attachment tube footrest left	25934
6	Attachment tube footrest right	25935
7	End caps whole footrest	50830

Brake



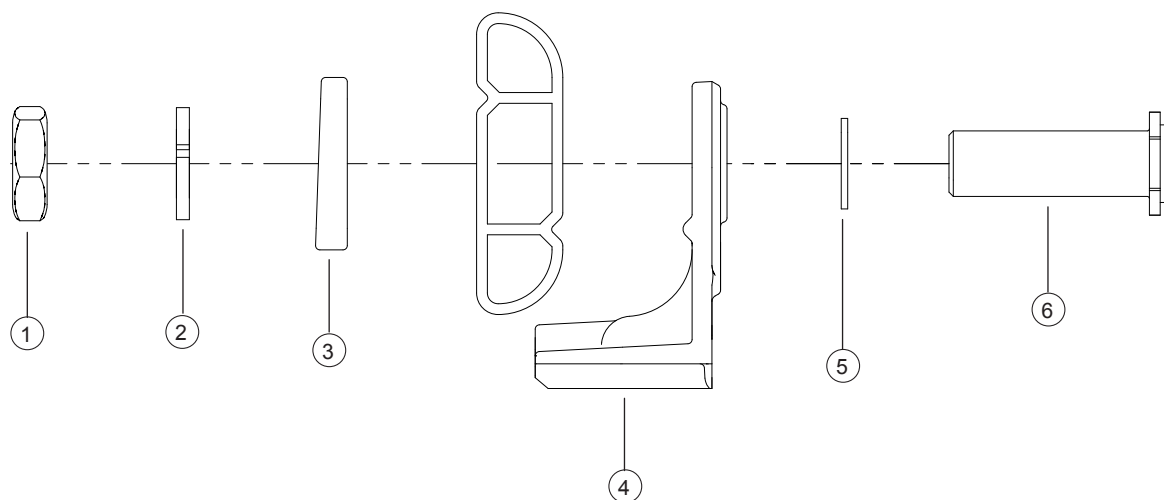
Pos	Description	Item No
1	Brake right	26201-1
	Brake left	26201-2
2	Nut M16x1 NV 24 B8	12052
3	Locking washer M16 fzb	13039
4	Washer 17x40x3 fzb	13076
5	Brakehouse	81290
6	Axle sleeve	20448
7	Angle tube brake	50875

Single hand brake



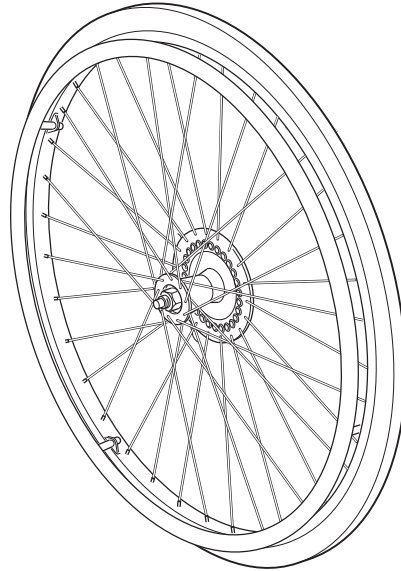
Pos	Description	Item No
1-7	Single hand brake Next right compl	26529-1
	Single hand brake Next left compl	26201-2
2	Nut M16x 1 NV 24 B8	12052
3	Schnorr washer 17x24x1,3 fzb	13084
4	Washer 17x40x3 fzb	13076
5	Brakehouse Next.....	81290
6	Axle sleeve Next.....	20448
7	Angle tube brake Next.....	50875

0° Camber angle



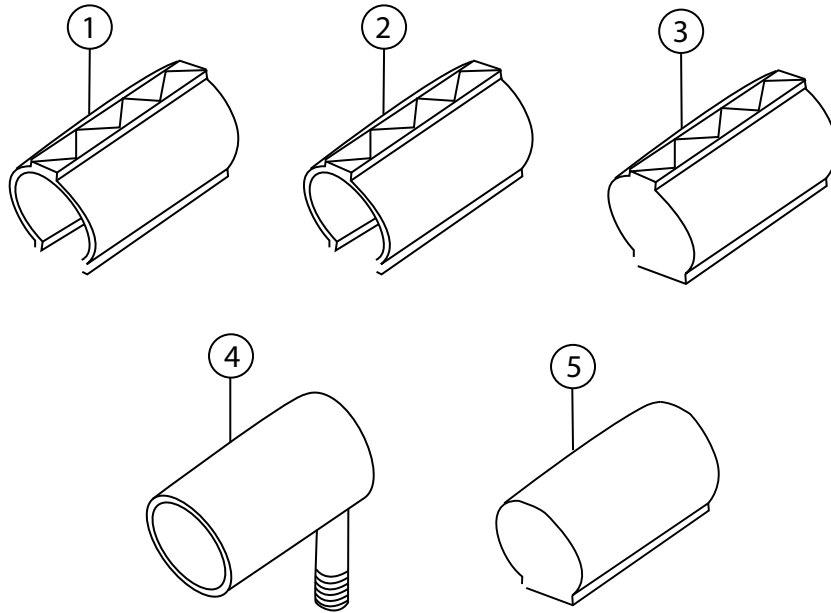
Pos	Benämning	Art Nr
1-6	Camber kit Next 0 degr	26718
1	Nut M16x 1 NV 24 B8	12052
2	Schnorr washer 17x24x1.3 fzb	13084
3	Brakehouse 0 degr camber Next milled	26672
4	Attachment 0 degr/4 degr camber angel milled ..	26670
5	Washer 20x16.25x1.5 alu	20479
6	Axle sleeve 0 degr/4 degr camber Next	20480

Rear wheel complete



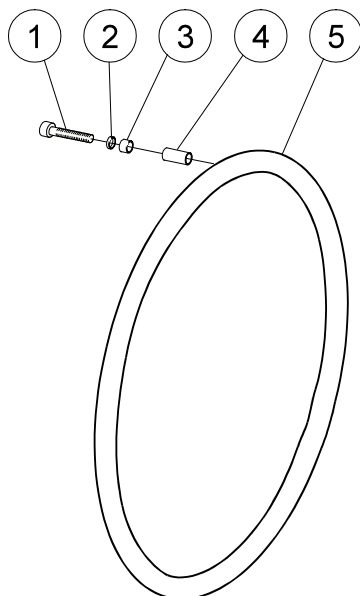
Description	Item No
Rear wheel BS 20 low pressure handrim aluminium	81276
Rear wheel BS 20 low pressure handrim stainless	81277
Rear wheel BS 20 solid handrim aluminium.....	81274
Rear wheel BS 20 solid handrim stainless	81275
Rear wheel BS 20 solid inner tube/stainless	27252
Rear wheel BS 20 solid inner tube/plastic-coated	27706
Rear wheel BS 20 solid inner tube/cellular rubber	27705
Rear wheel BS 22 high pressure handrim aluminium	81281
Rear wheel BS 22 high pressure handrim plastic-coated ..	81283
Rear wheel BS 22 high pressure handrim stainless	81282
Rear wheel BS 22 solid handrim aluminium.....	81278
Rear wheel BS 22 solid handrim plastic-coated.....	81280
Rear wheel BS 22 solid handrim stainless	81279
Rear wheel BS 22 solid inner tube/stainless	27253
Rear wheel BS 22 solid inner tube/plastic-coated	27709
Rear wheel BS 22 solid inner tube/cellular rubber	27708
Rear wheel BS 24 high pressure handrim aluminium	81287
Rear wheel BS 24 high pressure handrim plastic-coated ..	81289
Rear wheel BS 24 high pressure stainless.....	81288
Rear wheel BS 24 solid handrim aluminium.....	81284
Rear wheel BS 24 solid handrim plastic-coated.....	81286
Rear wheel BS 24 solid handrim stainless	81285
Rear wheel BS 24 solid inner tube/stainless	27254
Rear wheel BS 24 solid inner tube/plastic-coated	27712
Rear wheel BS 24 solid inner tube/cellular rubber	27711

Tyre and innertube



Pos	Description	Item No
1	Tyre 24" x 1 pneumatic high pressure	80558
	Tyre 22" x 1 pneumatic high pressure	81125
2	Tyre 20" pneumatic	80133
3	Tyre 20" solid	80787
	Tyre 22" solid	81384
	Tyre 24" solid	80768
4	Innertube 20" pneumatic	80132
	Innertube 22" pneumatic high pressure	80136
	Innertube 24" pneumatic high pressure	80560
5	Innertube solid 20"	82706
	Innertube solid 22"	82705
	Innertube solid 24"	82704

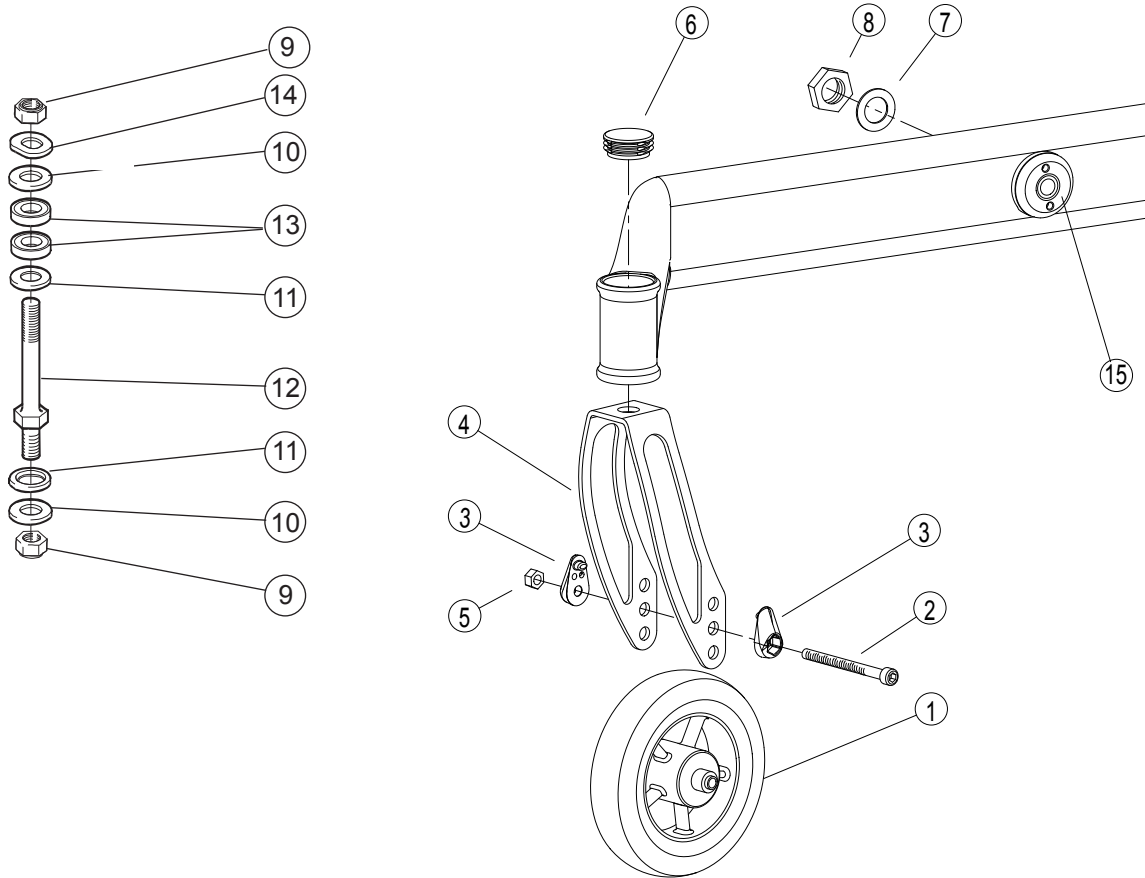
Handrim



Aluminium / Stainless / Plastic-coated / Cellular rubber

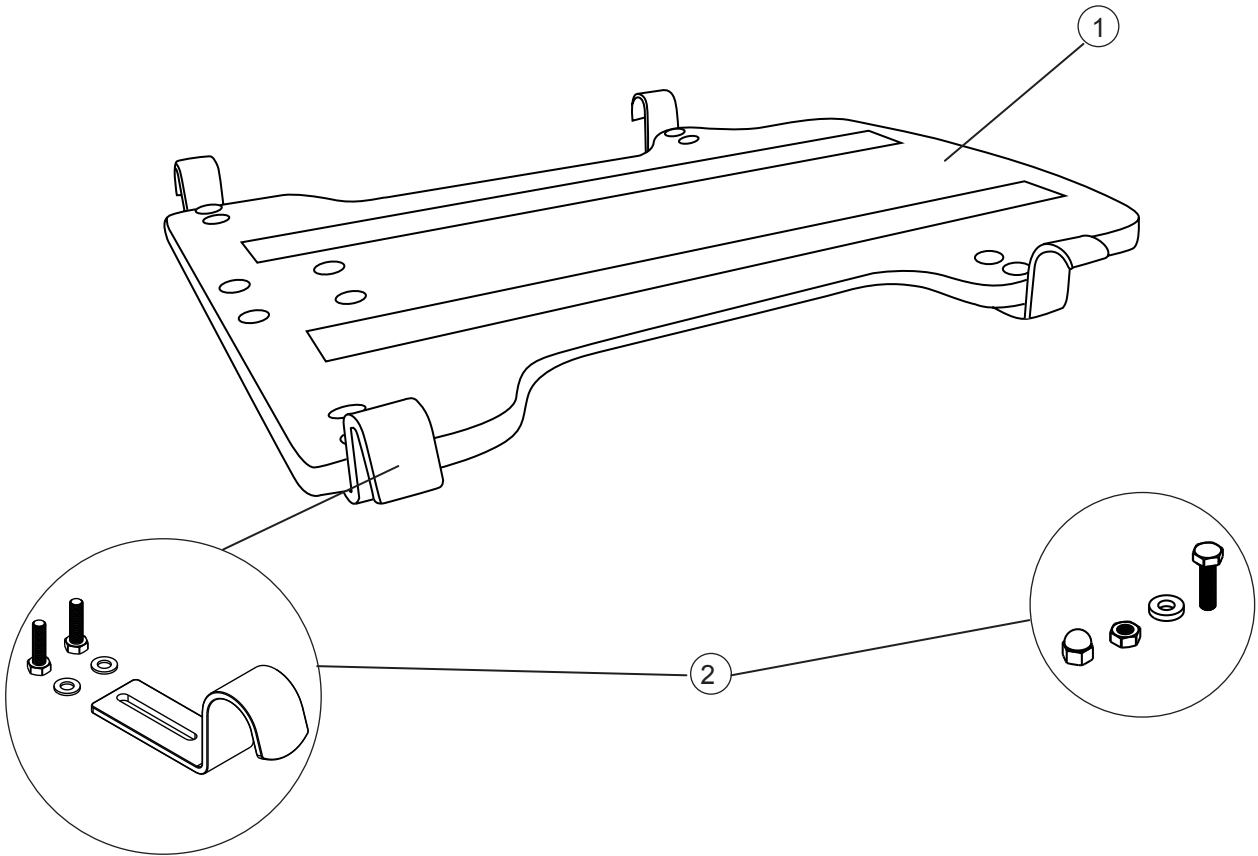
Pos	Description	Item No
1-4	Attachment kit handrim.....	24514
5	Handrim D465 wheel 20" aluminium	81109
	Handrim D465 wheel 20" stainless.....	21034
	Handrim D425 wheel 20" cellular rubber	24442
	Handrim D500 wheel 22" aluminium	25636
	Handrim D500 wheel 22" plastic-coated	80895
	Handrim D500 wheel 22" stainless.....	24395
	Handrim D469 wheel 22" cellular rubber	24551
	Handrim D540 wheel 24" aluminium	25181
	Handrim D540 wheel 24" plastic-coated	80894
	Handrim D540 wheel 24" stainless.....	24023
	Handrim D540 wheel 24" cellular rubber	80800

Castor and front fork



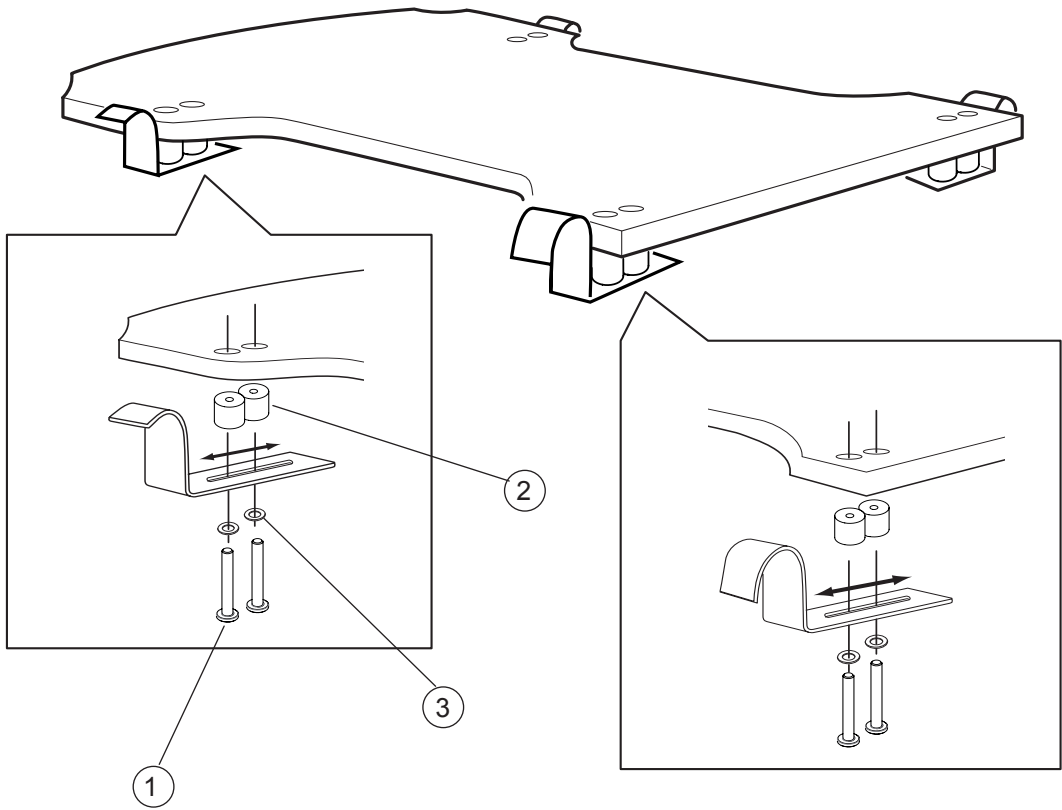
Pos	Description	Item No	Pos	Description	Item No
1-3,5	Castor 5 125x30 solid hard	27865	5	Locking nut M 6	12035
	Castor 6 150x30 solid	27869	6	Dust cover	50144
	Castor 7 175x45 solid soft	27867	7	Schnorr washer 17x24x1.3 fzb.....	13084
1	Castor		8	Nut M16x1 NV 24 B8.....	12052
2	Screw M 6x 75 MC6S 12.9 black	11338	9	Locking nut 1 / 2 UNF low.....	12037
3	Cover axle wheel PA 6	51049	10	Washer BRB 13.5 black chrome.....	13031
	Cover axle wheel PA 6 (50 pcs)	27954	11	Washer BRB 13.5 black chrome plated .	13032
4	Front fork short excl axle.....	26185-01	12	Axle front fork steel	20243
	Front fork medium excl axle	26186-01	13	Ballbearing 1/2 EEA 2RS.....	80244
	Front fork long excl axle.....	26187-01	14	Washer 13x24x1.2 DIN 137B fzb	13040
4, 9-12	Front fork short 20" steel axle.....	26198	15	Foundation bolt Next set.....	26830
	Front fork medium 22" steel axle.....	26199			
	Front fork long 24" steel axle.....	26200			

Solid seat



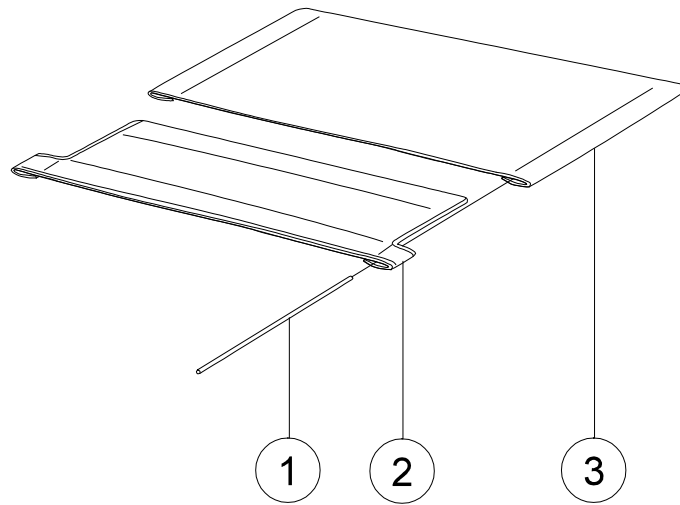
Pos	Description	Item No
1-2	Solid seat ECS 35-37.5 cm (14-15) short compl ...	26720
	Solid seat ECS 40-42.5 cm (16-17) short compl ...	26721
	Solid seat ECS 45-47.5 cm (18-19) short compl ...	26722
	Solid seat ECS 50-52.5 cm (20-21) short compl ...	26723
	Solid seat ECS 35-37.5 cm (14-15) long compl	26725
	Solid seat ECS 40-42.5 cm (16-17) long compl	26726
	Solid seat ECS 45-47.5 cm (18-19) long compl	26727
	Solid seat ECS 50-52.5 cm (20-21) long compl	26728
2	Attachment kit ECS seat	26631

Flat seat



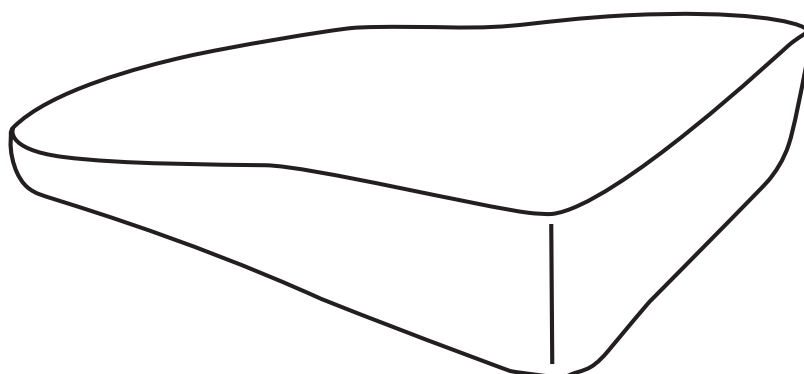
Pos	Description	Item No
1-3	Attachment kit seat flat ECS	27330
1	Screw M 5x 40 MRX 4.8 fzb Poz.....	11582
2	Spacer 20x20 holes 5.3 black Id.....	82391
3	Washer BRB 5.3 fzb	13017

Upholstery seat



Pos	Description	Item No
1	Tension rod L381 upholstery seat short	80617
	Tension rod L446 upholstery seat long	80618
2	Upholstery seat front 35 cm.....	62336
	Upholstery seat front 37.5 cm.....	62337
	Upholstery seat front 40 cm.....	62338
	Upholstery seat front 42.5 cm.....	62339
	Upholstery seat front 45 cm.....	62340
	Upholstery seat front 47.5 cm.....	62385
	Upholstery seat front 50 cm.....	62341
2-3	Upholstery seat short 35 cm (14") black	62235-60
	Upholstery seat short 37.5 cm (15") black	62236-60
	Upholstery seat short 40 cm (16") black	62237-60
	Upholstery seat short 42,5 cm (17") black	62238-60
	Upholstery seat short 45 cm (18") black	62239-60
	Upholstery seat short 47,5 cm (19") black	62372-60
	Upholstery seat short 50 cm (20") black	62302-60
	Upholstery seat long 35 cm (14") black	62240-60
	Upholstery seat long 37,5 cm (15") black	62241-60
	Upholstery seat long 40 cm (16") black	62242-60
	Upholstery seat long 42,5 cm (17") black	62243-60
	Upholstery seat long 45 cm (18") black	62244-60
	Upholstery seat long 47,5 cm (19") black	62373-60
	Upholstery seat long 50 cm (20") black	62303-60

Seat cushion



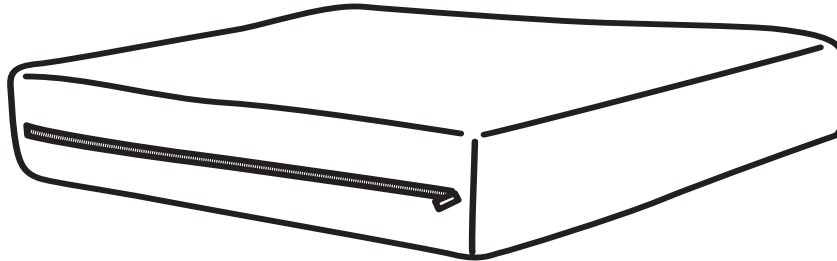
Pos	Description	Item no
	Seat cushion ECS formed PE incl cover 35-37.5 cm (14-15) short	26600-**
	Seat cushion ECS formed PE incl cover 40-42.5 cm (16-17) short	26601-**
	Seat cushion ECS formed PE incl cover 45-47.5 cm (18-19) short	26602-**
	Seat cushion ECS formed PE incl cover 50-52.5 cm (20-21) short	26603-**
	Seat cushion ECS formed PE incl cover 35-37.5 cm (14-15) long	26605-**
	Seat cushion ECS formed PE incl cover 40-42.5 cm (16-17) long	26606-**
	Seat cushion ECS formed PE incl cover 45-47.5 cm (18-19) long	26607-**
	Seat cushion ECS formed PE incl cover 50-52.5 cm (20-21) long	26608-**
	Seat cushion ECS formed memory foam incl cover 35-37.5 cm (14-15) short	26610-**
	Seat cushion ECS formed memory foam incl cover 40-42.5 cm (16-17) short	26611-**
	Seat cushion ECS formed memory foam incl cover 45-47.5 cm (18-19) short	26612-**
	Seat cushion ECS formed memory foam incl cover 50-52.5 cm (20-21) short	26613-**
	Seat cushion ECS formed memory foam incl cover 35-37.5 cm (14-15) long	26615-**
	Seat cushion ECS formed memory foam incl cover 40-42.5 cm (16-17) long	26616-**
	Seat cushion ECS formed memory foam incl cover 45-47.5 cm (18-19) long	26617-**
	Seat cushion ECS formed memory foam incl cover 50-52.5 cm (20-21) long	26618-**
	Cover seat cushion ECS formed 35-37.5 cm (14-15) short	62780-**
	Cover seat cushion ECS formed 40-42.5 cm (16-17) short.....	62781-**
	Cover seat cushion ECS formed 45-47.5 cm(18-19) short.....	62782-**
	Cover seat cushion ECS formed 50 cm (20) short.....	62783-**
	Cover seat cushion ECS formed 35-37.5 cm (14-15) long.....	62785-**
	Cover seat cushion ECS formed 40-42.5 cm (16-17) long.....	62786-**
	Cover seat cushion ECS formed 45-47.5 cm (18-19) long	62787-**
	Cover seat cushion ECS formed 50 cm (20) long	62788-**

** Cover:

60=Dark grey plysch

63=Dartex

Seat cushion



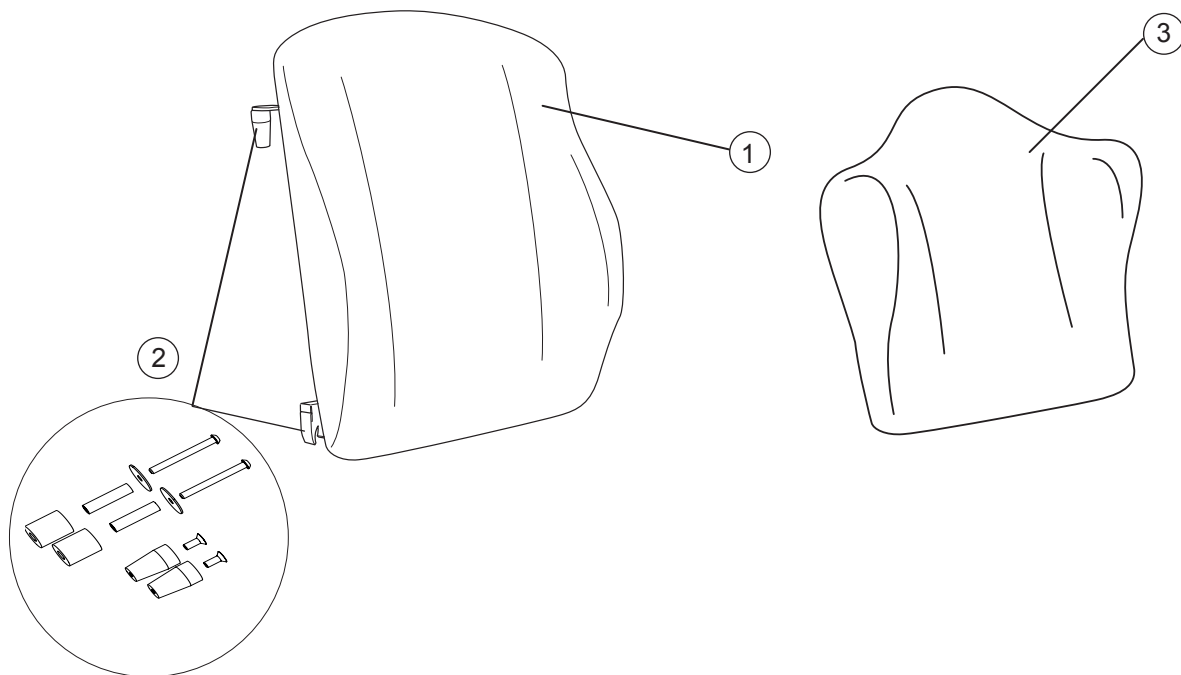
Pos	Description	Item No
	Seat cushion ECS flat PE 35-37.5 cm (14-15) short	26640-**-**
	Seat cushion ECS flat PE 40-42.5 cm (16-17) short.....	26641-**-**
	Seat cushion ECS flat PE 45-47.5 cm (18-19) short.....	26642-**-**
	Seat cushion ECS flat PE 50 cm (20) short	26643-**-**
	Seat cushion ECS flat PE 35-37.5 cm (14-15) long.....	26645-**-**
	Seat cushion ECS flat PE 40-42.5 cm (16-17) long.....	26646-**-**
	Seat cushion ECS flat PE 45-47.5 cm (18-19) long.....	26647-**-**
	Seat cushion ECS flat PE 50 cm (20) long	26648-**-**
	Seat cushion ECS flat memory foam 35-37.5 cm (14-15) short dark	26650-**-**
	Seat cushion ECS flat memory foam 40-42.5 cm (16-17) short.....	26651-**-**
	Seat cushion ECS flat memory foam 45-47.5 cm (18-19) short.....	26652-**-**
	Seat cushion ECS flat memory foam 50 cm (20) short	26653-**-**
	Seat cushion ECS flat memory foam 35-37.5 cm (14-15) long.....	26655-**-**
	Seat cushion ECS flat memory foam 40-42.5 cm (16-17) long.....	26656-**-**
	Seat cushion ECS flat memory foam 45-47.5 cm (18-19) long.....	26657-**-**
	Seat cushion ECS flat memory foam 50 cm (20) long	26658-**-**
	Cover seat cushion ECS flat 35-37.5 cm (14-15) short	62770-**-**
	Cover seat cushion ECS 40-42.5 cm (16-17) short.....	62771-**-**
	Cover seat cushion ECS 45-47.5 cm (18-19) short.....	62772-**-**
	Cover seat cushion ECS 50 cm (20) short	62773-**-**
	Cover seat cushion ECS 35-37.5 cm (14-15) long.....	62775-**-**
	Cover seat cushion ECS 40-42.5 cm (16-17) long.....	62776-**-**
	Cover seat cushion ECS 45-47.5 cm (18-19) long.....	62777-**-**
	Cover seat cushion ECS 50 cm (20) long	62778-**-**

** Cover:

60=Dark grey plysch

63=Dartex

Backrest



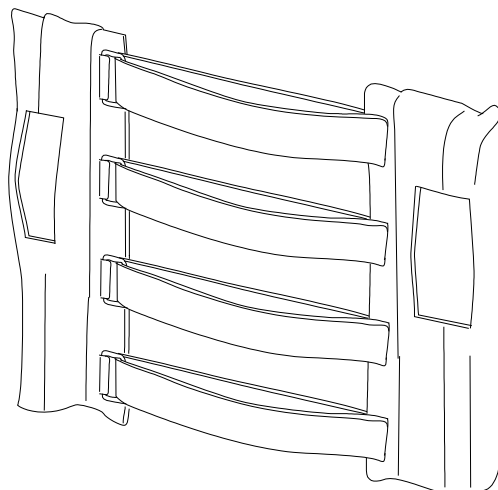
Pos	Description	Item No
1-2	Backrest ECS H59 35-37.5 (14-15) compl	26625-**
	Backrest ECS H59 40-42.5 (16-17) compl	26626-**
	Backrest ECS H59 45-47.5 (18-19) compl	26627-**
	Backrest ECS H59 50-52.5 (20-21) compl	26628-**
2	Attachment kit ECS backrest	26630
3	Backrest ECS H48 35-37.5 (14-15) compl	26620-**
	Backrest ECS H48 40-42.5 (16-17) compl	26621-**
	Backrest ECS H48 45-47.5 (18-19) compl	26622-**
	Backrest ECS H48 50-52.5 (20-21) compl	26623-**

** Cover:

60=Dark grey plysch

63=Dartex

Upholstery back

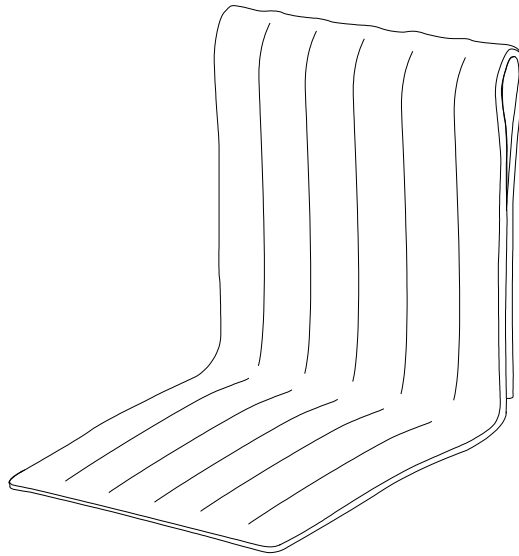


Description

Item No

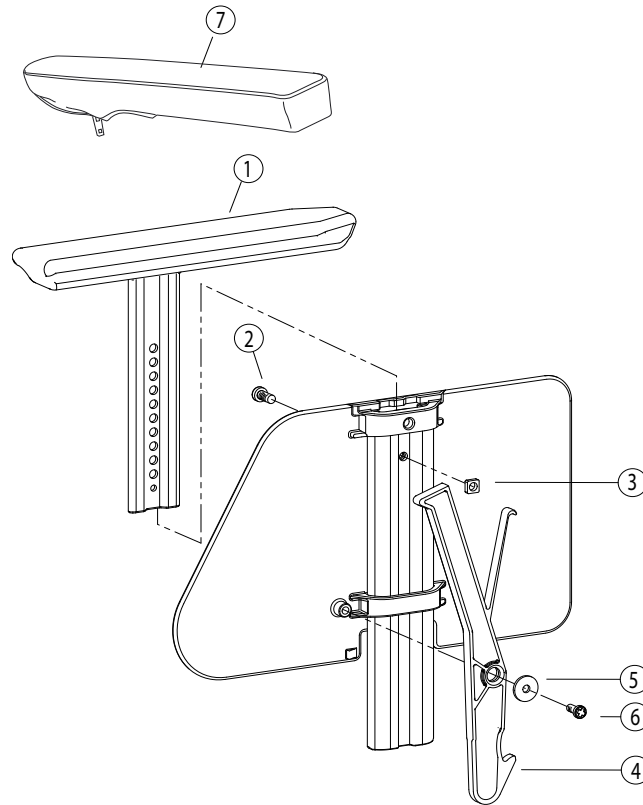
Upholstery back bh adj 35/37.5 cm (14"-15").....	62342-60
Upholstery back bh adj 40/42,5 cm (16"-17").....	62343-60
Upholstery back bh adj 45 cm (18").....	62344-60
Upholstery back bh adj 47,5/50 cm (19"-20").....	62345-60
Upholstry back Cross/Next high 35/37.5 cm.....	62758-60
Upholstry back Cross/Next high 40/42.5 cm.....	62466-60
Upholstry back Cross/Next high 45 cm.....	62467-60
Upholstry back Cross/Next high 47.5/50 cm.....	62468-60

Cover back



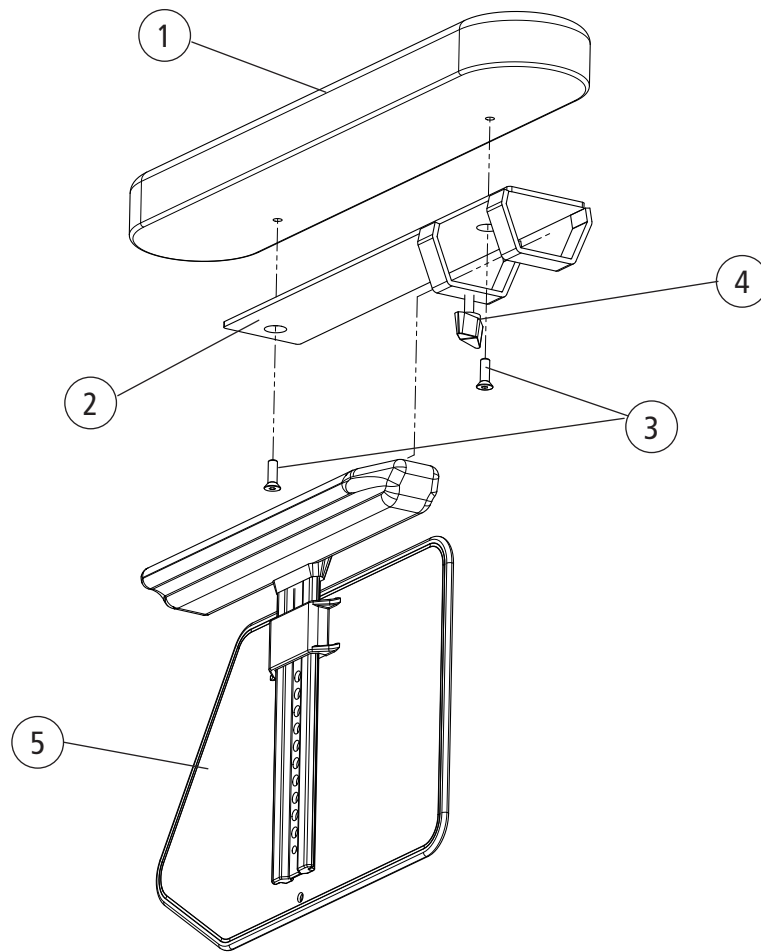
Description	Item No
Cover back 35 cm (14") dark grey	62135-60
Cover back 37,5 cm (15") dark grey	62387-60
Cover back 40 cm (16") dark grey	62136-60
Cover back 42,5 cm (17") dark grey	62388-60
Cover back 45 cm (18") dark grey	62137-60
Cover back 47,5 cm (19") dark grey	62389-60
Cover back 50 cm (20") dark grey	62305-60
Cover back high 35 cm (14") dark grey.....	62478-60
Cover back high 37,5 cm (15") dark grey.....	62479-60
Cover back high 40 cm (16") dark grey.....	62469-60
Cover back high 42.5 cm (17") dark grey.....	62470-60
Cover back high 45 cm (18") dark grey.....	62471-60
Cover back high 47.5 cm (19") dark grey.....	62472-60
Cover back high 50 cm (20") dark grey.....	62473-60
Cover back comfort 35 cm (14") dark grey	62891-60
Cover back comfort 37,5 cm (15") dark grey	62892-60
Cover back comfort 40 cm (16") dark grey	62390-60
Cover back comfort 42,5 cm (17") dark grey	62391-60
Cover back comfort 45 cm (18") dark grey	62392-60
Cover back comfort 47,5 cm (19") dark grey	62393-60
Cover back comfort 50 cm (20") dark grey	62394-60

Armrest



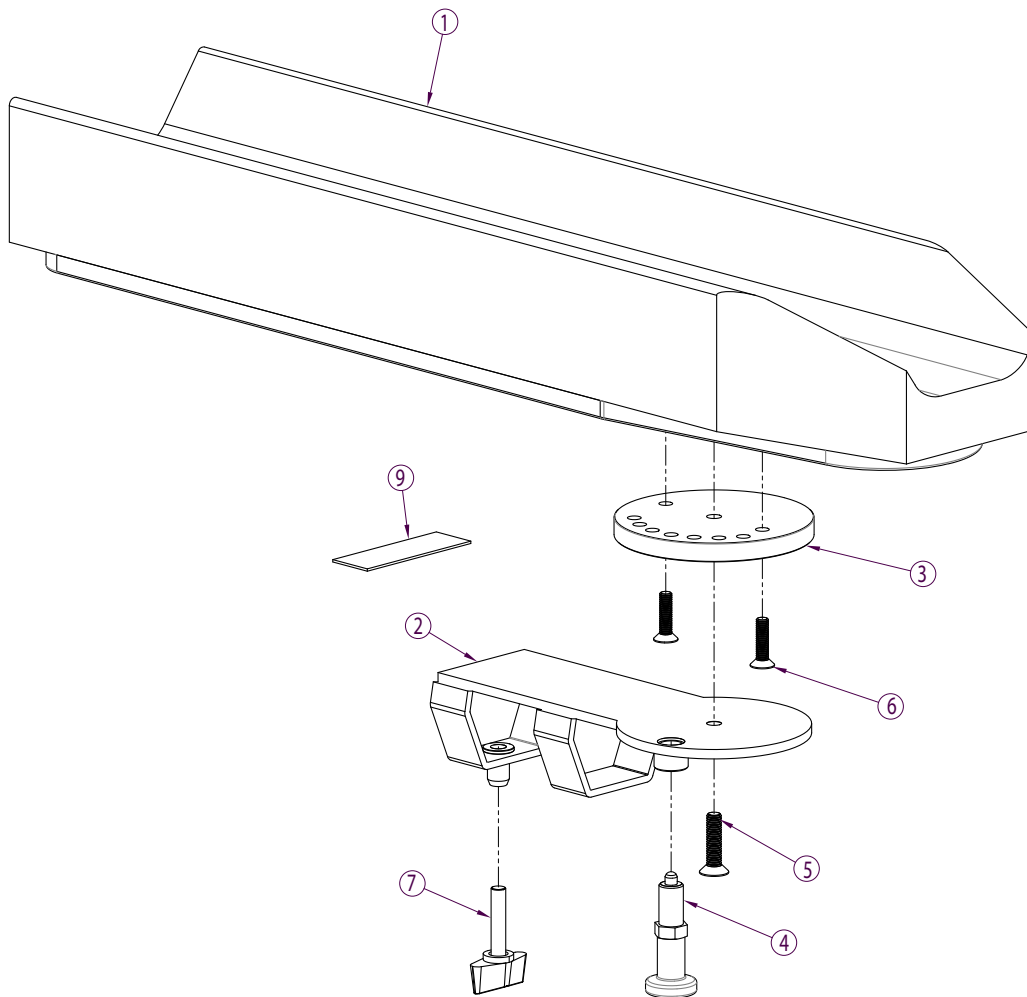
Pos	Description	Item No
1	Armrest Next L246 short right.....	26211-1
	Armrest Next L246 short left.....	26211-2
	Armrest Next L376 long right.....	26212-1
	Armrest Next L376 long left.....	26212-2
2	Screw MC6LS 6x14 SW=5 svkr	11539
3	Square nut high M6.....	12058
4	Locking bar armrest Next.....	50882
5	Washer 5,5x18x2 black chrome	13056
6	Screw PTKX 50x12 black chrome	11538
1-6	Armrest Next short right compl.....	81201
	Armrest Next short left compl.....	81202
	Armrest Next long right compl.....	81203
	Armrest Next long left compl.....	81204
7	Cover armrest padded short Dartex	62282-63
	Cover armrest padded short dark grey	62282-60
	Cover armrest padded long Dartex	62283-63
	Cover armrest padded long dark grey	62283-60
	Cover armrest Gel short compl Dartex	26240-63
	Cover armrest Gel short compl dark grey	26240-60
	Cover armrest Gel long compl Dartex	26241-63
	Cover armrest Gel long compl dark grey	26241-60

Armrestpad



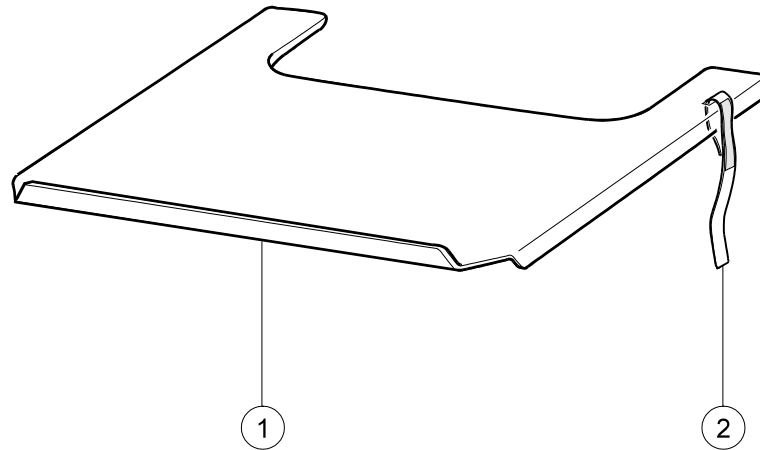
Pos	Description	Item No
1	Armrestpad wide and soft compl	26873
2	Attachment armrest pad	26871-01
3	Screw M 5x 16 MF6S svkr 8.8	11571
4	Handle M 6x30	82033
5	Armrest pad std R/L	403173

Armrestpad Hemi



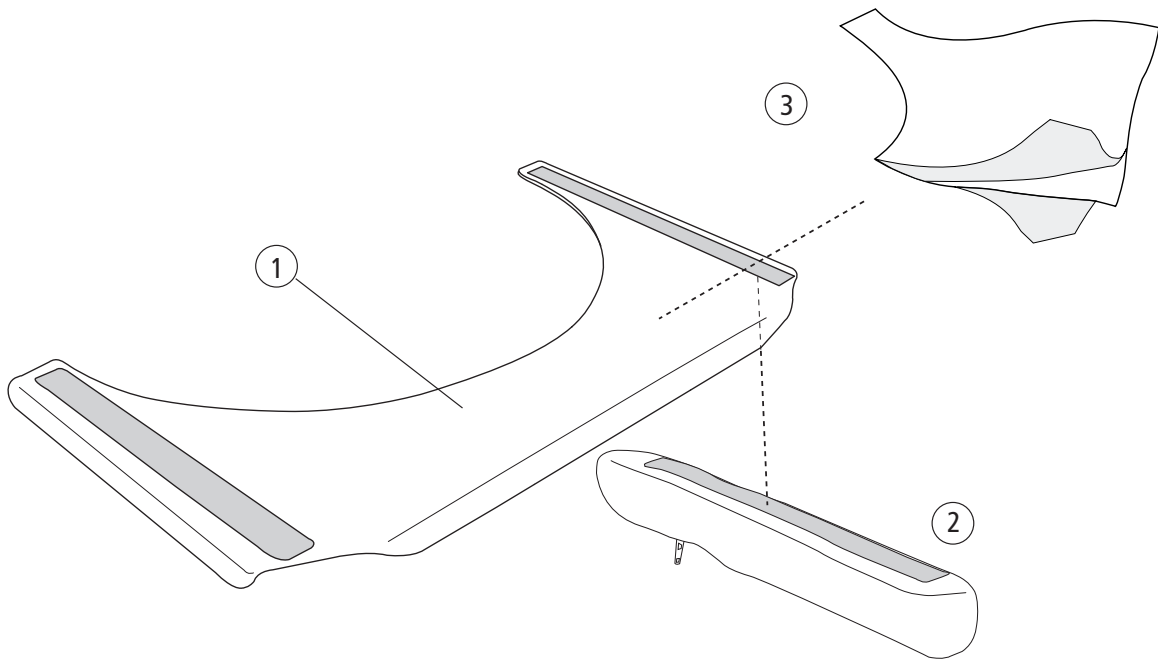
Pos	Description	Item No
1-7	Armrestpad hemi Cross/Next ri for armrest Next 81203	25770-60-1
	Armrestpad hemi Cross/Next le for armrest Next 81204	25770-60-2
1	Armrest pad hemi	62910-60
2	Attachment armrest hemi right.....	27265-1
	Attachment armrest hemi left.....	27265-2
3	Turn plate armrest hemi right	27280-1
	Turn plate armrest hemi left.....	27280-2
4	Indexing plungers M10x1 Wiberger GN617.1 Form A	82338
5	Screw M 6x 25 MF6S svkr esloc	11430
6	Screw M 5x 20 MF6S black chrome	11526
7	Handle M 6x 30	82033

Tray



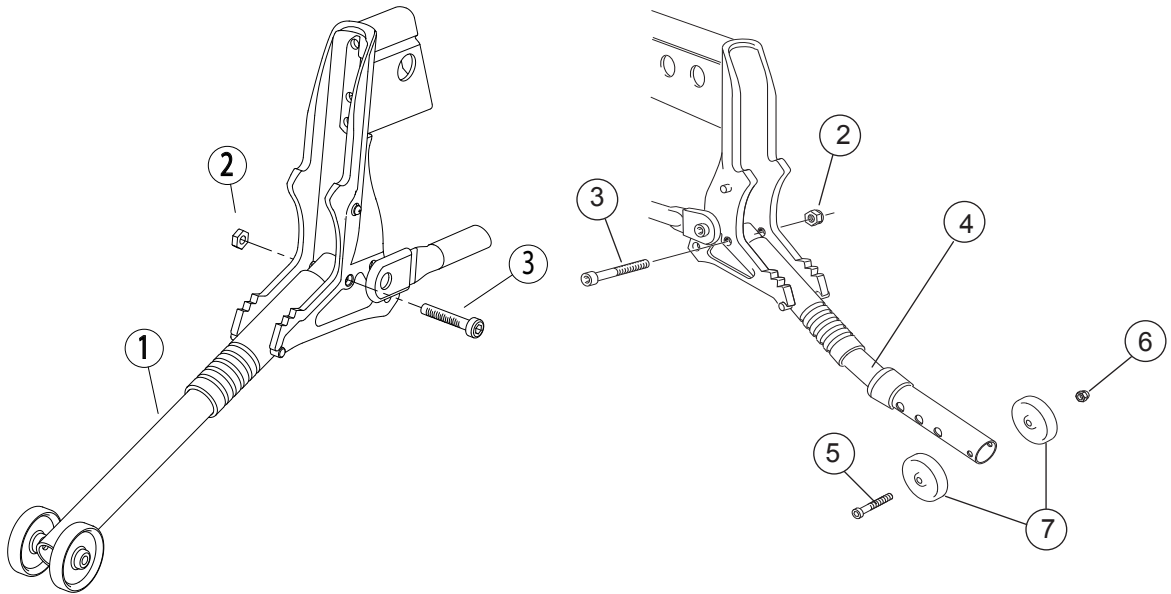
Pos	Descripton	Item No
1-2	Tray 45 cm compl for 35 cm	24417
	Tray 47,5 cm compl for 37,5 cm	25187
	Tray 50 cm compl for 40 cm	24418
	Tray 52,5 cm compl for 42,5 cm	25188
	Tray 55 cm compl for 45 cm	24419
	Tray 60 cm compl for 50 cm	24601
2	Strap for tray 27,5-50 cm	62103

Tray hemi



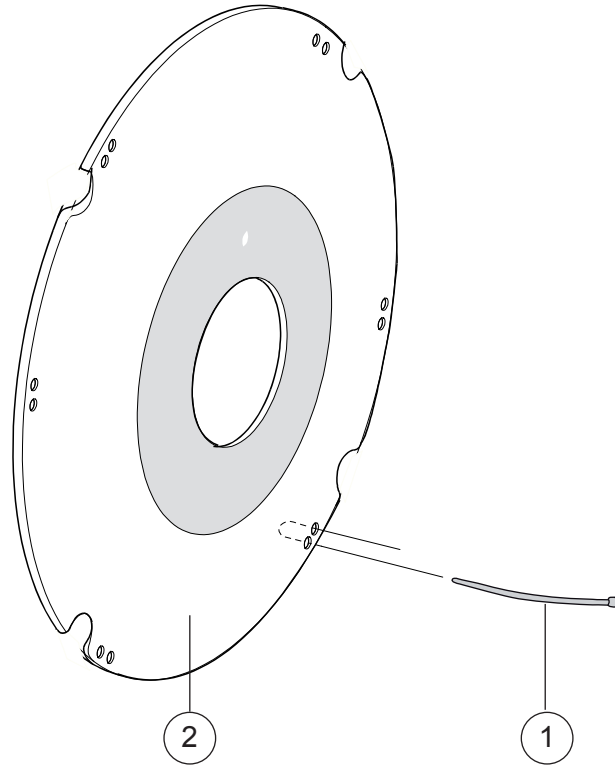
Pos	Description	Item No
2	Cover armrest table hemi short	81631
	Cover armrest table hemi long	81632
3	Anti glide table hemi 35-40 cm	81633
	Anti glide table hemi 42.5-50 cm	81634
1-2	Tray hemi 45 cm for wheelchair 35 cm (14) with short armrest cover	26556
	Tray hemi 47.5 cm for wheelchair 37.5 cm (15) with short armrest cover	26557
	Tray hemi 50 cm for wheelchair 40 cm (16) with short armrest cover	26558
	Tray hemi 52.5 cm for wheelchair 42.5 cm (17) with short armrest cover	26559
	Tray hemi 55 cm for wheelchair 45 cm (18) with short armrest cover	26560
	Tray hemi 57.5 cm for wheelchair 47.5 cm (19) with short armrest cover	26561
	Tray hemi 60 cm for wheelchair 50 cm (20) with short armrest cover	26562
	Tray hemi 45 cm for wheelchair 35 cm (14) with long armrest cover	26563
	Tray hemi 47.5 cm for wheelchair 37.5 cm (15) with long armrest cover	26564
	Tray hemi 50 cm for wheelchair 40 cm (16) with long armrest cover	26565
	Tray hemi 52.5 cm for wheelchair 42.5 cm (17) with long armrest cover	26566
	Tray hemi 55 cm for wheelchair 45 cm (18) with long armrest cover	26567
	Tray hemi 57.5 cm for wheelchair 47.5 cm (19) with long armrest cover	26568
	Tray hemi 60 cm for wheelchair 50 cm (20) with long armrest cover	26569

Anti-tip



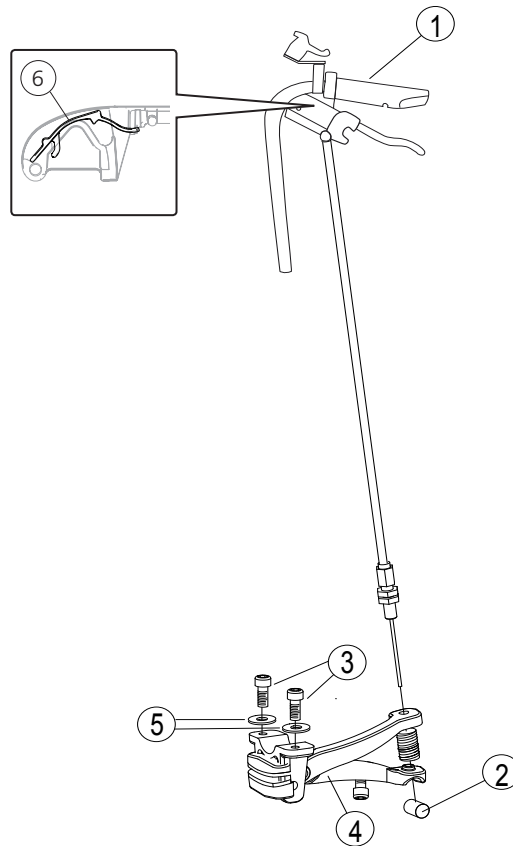
Pos	Description	Item No
1-3	Anti tip Next 22-24 compl	25969
	Anti tip Next 20 compl	26132
2	Locking nut M 6	12017
3	Screw M 6x40 MC6S 10.9 fzb	11229
2-7	Anti tip Next telescoping compl	26895
5	Screw M 5x 55 MC6S 12.9 fzb	11397
6	Locking nut M 5 domed black	12042
7	Wheel 40/5.2/12 for anti tip black	80727

Spoke guard



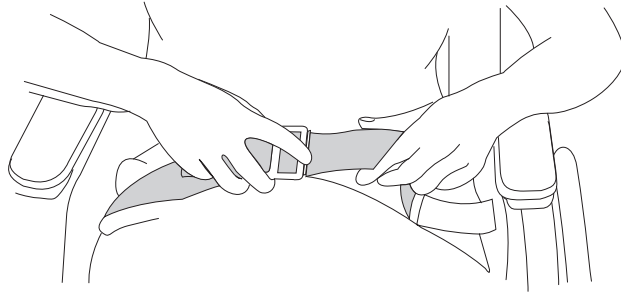
Pos	Descripton	Item No
1	Attachment kit spokeguard	26276
1-2	Spoke guard 20 with logo grey	25502-28
	Spoke guard 20 with logo yellow	25502-29
	Spoke guard 22 with logo grey	25503-28
	Spoke guard 22 with logo yellow.....	25503-29
	Spoke guard 24 with logo grey	25504-28
	Spoke guard 24 with logo yellow.....	25504-29

Drum brake



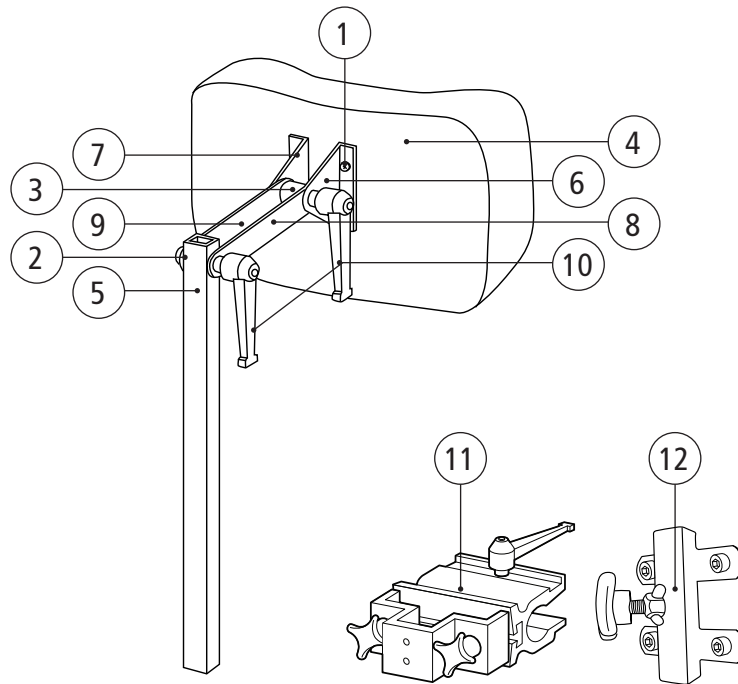
Pos	Description	Art Nr
1-5	Drum brake Next compl kit with smaller handgrip width	27415
1	Brake handle drumbrake alu	81804
2	Wire kit drumbrake Next grip 75 mm	81939
3	Screw M 5x 14 MC6S 8.8 fzb	11224
4	Brake mecanism drumbrake Next grip 75 mm	82398
5	Washer BRB 5.3 fzb	13017
6	Wire lock brake handle 100 mm 10 pcs.....	82854
	Wire lock brake handle 75 mm 10 pcs.....	82855

Positioning belt



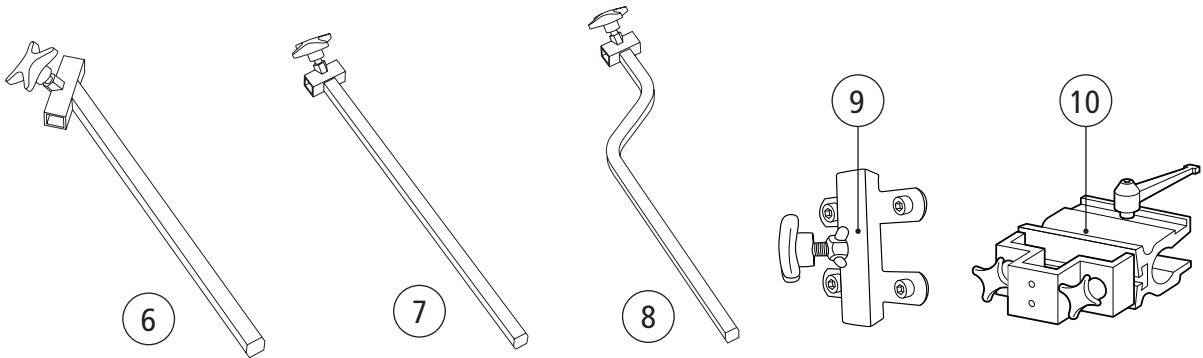
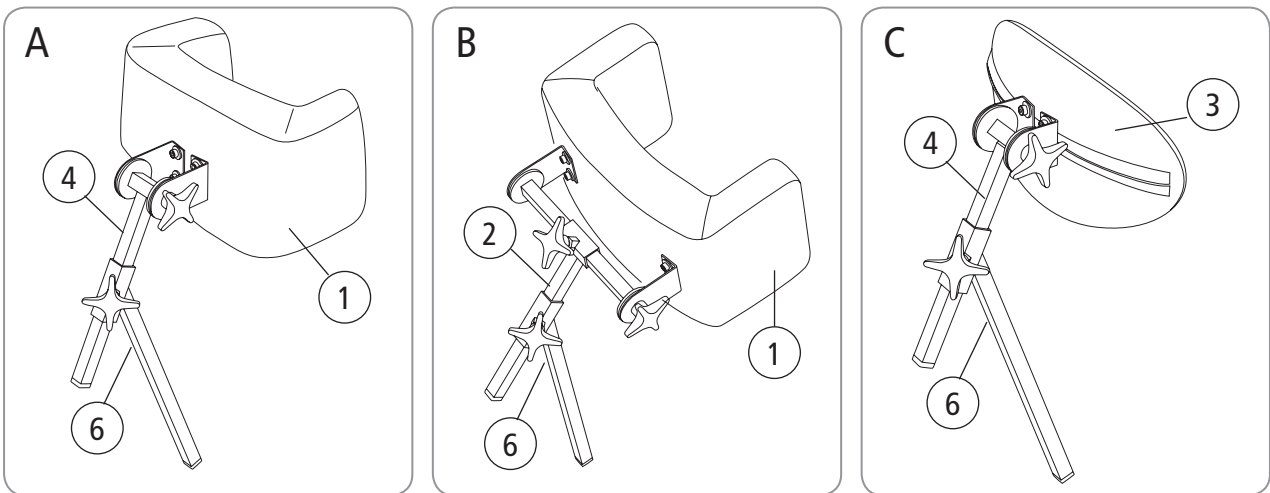
Pos	Description	Item No
1	Positioning belt Next compl	26273

Headrest



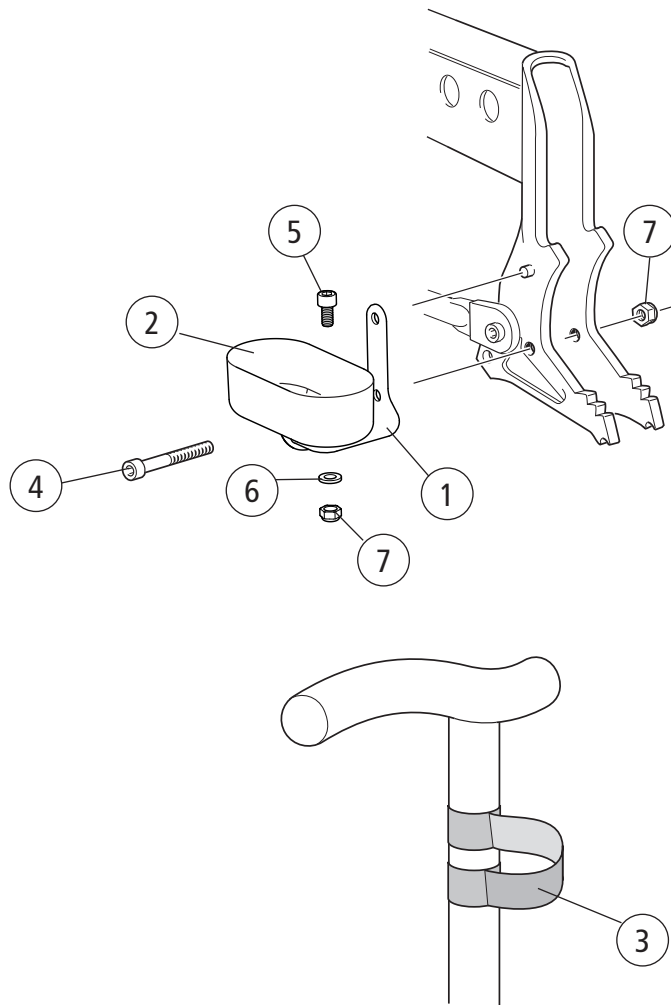
Pos	Description	Item no.
1-11	Head support mod 1 Dartex 26x14 cm incl tube with two joints excl attachment.....	24462-63
	Head support mod 1 dark grey 26x14 cm incl tube with two joints excl attachment ...	24462-60
1	Screw M 5x 16 MRX black chrome	11241
2	Washer M10 IZ DIN 6798/A2	13019
3	Spacer D20 d8.5 L16 black headrest	20197
4	Cushion headrest Cross backrest 2 Dartex	24470-63
	Cushion headrest Cross backrest 2 dark grey	24470-60
5	Bracket headrest Cross	24472
6	Bracket headrest Cross	24473
7	Bracket headrest Cross	24474
8	Attachment loop headrest Cross	24475
9	Attachment loop headrest Cross	24476
10	Handle m 8 x 30 65 mm black.....	80123
11	Headrest bracket for bow handle compl	25795
12	Headrest bracket attachment backrest compl	406256

Headrest



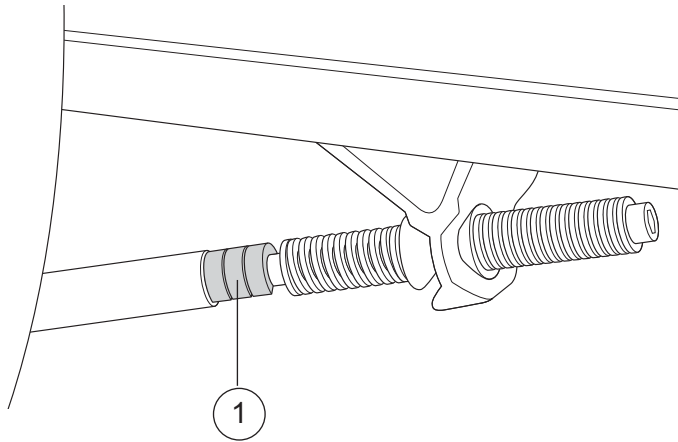
Pos	Benämning	Art nr
A	Headrest mod 2 w side support with height adj tube 45 degr Dartex	405766
1	Headrest mod 2 w side support pad only	405753
4	Depth adjust tube compl f head rest excl height adj tube	406262
6	Height adj tube 45 degrees for headrest	406255
B	Headrest mod 2 w side support with height adj tube 45 degr Dartex sidewpos.	405767
1	Headrest mod 2 w side support pad only	405753
2	Side adj bracket compl/ f headrest	400261
6	Height adj tube 45 degrees for headrest	406255
C	Headrest mod 3 curved with height adj tube 45 degr Dartex	405761
3	Headrest mod 3 curved pad only.....	405751
4	Depth adjust tube compl f head rest excl height adj tube	406262
6	Height adj tube 45 degrees for headrest	406255
7	Height adj tube 90 degrees for headrest	400260
8	Height adj tube curved f head rest.....	400262
9	Headrest bracket attachment backrest compl.....	406256
10	Headrest bracket for bow handle compl	25795

Cane holder Universal



Pos	Description	Item No
1-7	Cane holder universal compl	27327
1	Bracket cane holder	82390
2	Cane holder M100	50866
3	Elastic ribbon Cross black	80621
4	Screw M 6x 40 MC6S fzb	11229
5	Screw M6 x 12 MC6S 8.8 fzb	11577
6	Washer 6.4x14x1.5 DIN 134 black chrome	13058
7	Locking nut M 6 fzb	12017

Angle limitation



Pos	Description	Item no
1	Angle limitation	27791