

MustangTM

Exploded views / Part lists

Rev. date (2024.01)

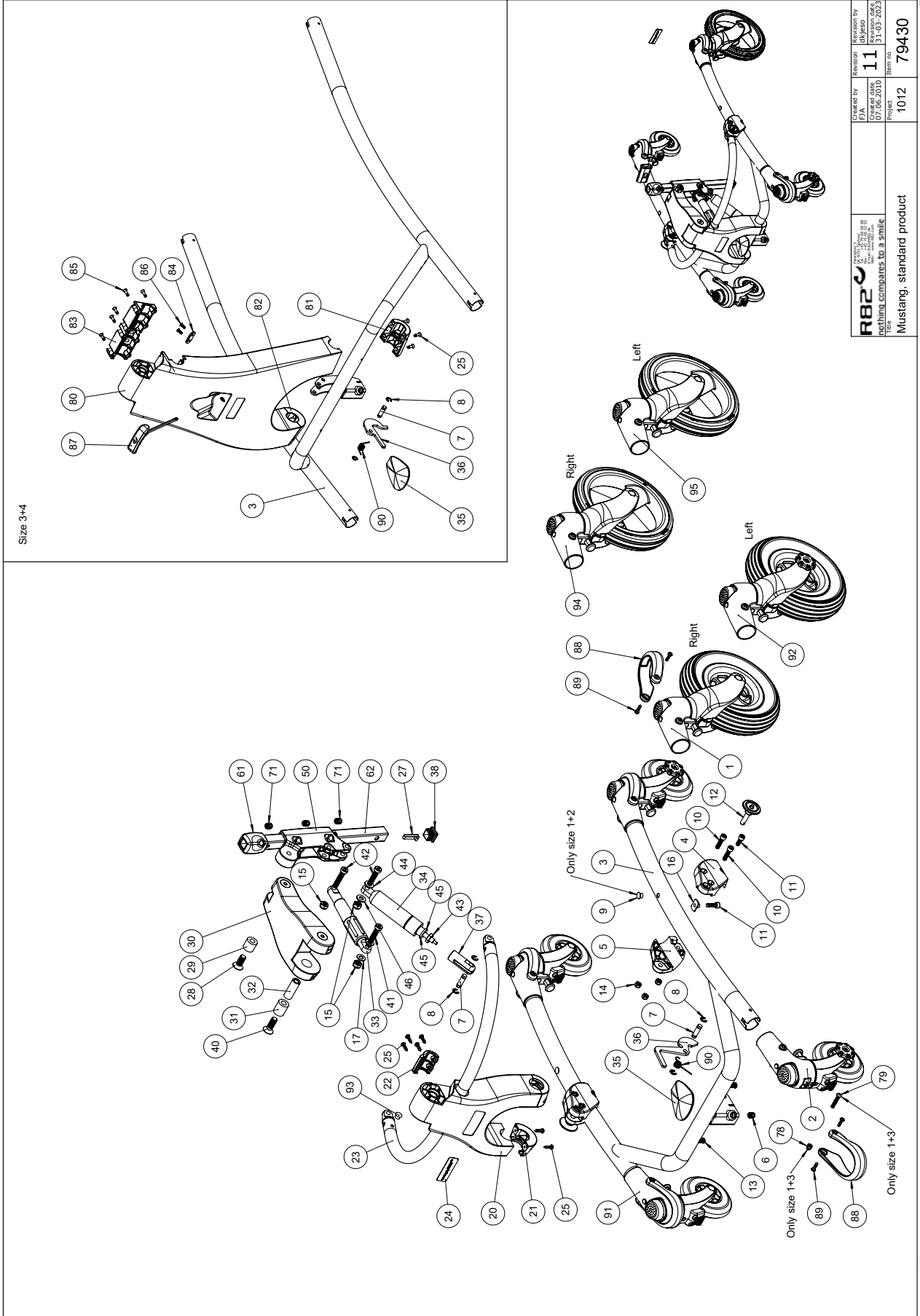
On the following pages you will find the parts used to assemble this product. Please note that some spare parts cannot be purchased individually but are part of a complete kit. Please also note that for some spare parts extra delivery time may occur.



Contents

Standard product (79430)	3
Item numbers for 79430	4
Accessories (79431).....	6
Item numbers for accessories (79431).....	7
Arm prompts (869310-1, 869320-1, 869325-1, 869330-1, 869340-1, 869345-1).....	10
Item numbers for Arm prompts (869310-1, 869320-1, 869325-1, 869330-1, 869340-1, 869345-1).....	11
4" wheels and bushings kit (79436-kit)	12
Item numbers for 4" wheels and bushings kit (79436-kit)	12
8" wheels and bushings kit (79438-kit).....	14
Item numbers for 8" wheels and bushings kit (79438-kit)	15
Hip supports on curved bar (869222, 869232)	16
Item numbers for Hip supports on curved bar - small (869222)	17
Item numbers for Hip supports on curved bar - large (869232)	17
Chest support (869810, 869820, 869830).....	18
Item numbers for Chest support (869810, 869820, 869830).....	19
Pelvis support (869610, 869620, 869630)	20
Item numbers for Pelvis support (869610, 869620, 869630).....	21
Chest support short kit (869800-KIT)	22
Item numbers for Chest support short kit (869800-KIT)	23
Decelerating hand brake system kit (869346-1, 869346-2, 869346-3, 869346-4)	24
Item numbers for Decelerating hand brake system kit (869346-1, 869346-2, 869346-3, 869346-4).....	25

Standard product (79430)



Item numbers for 79430

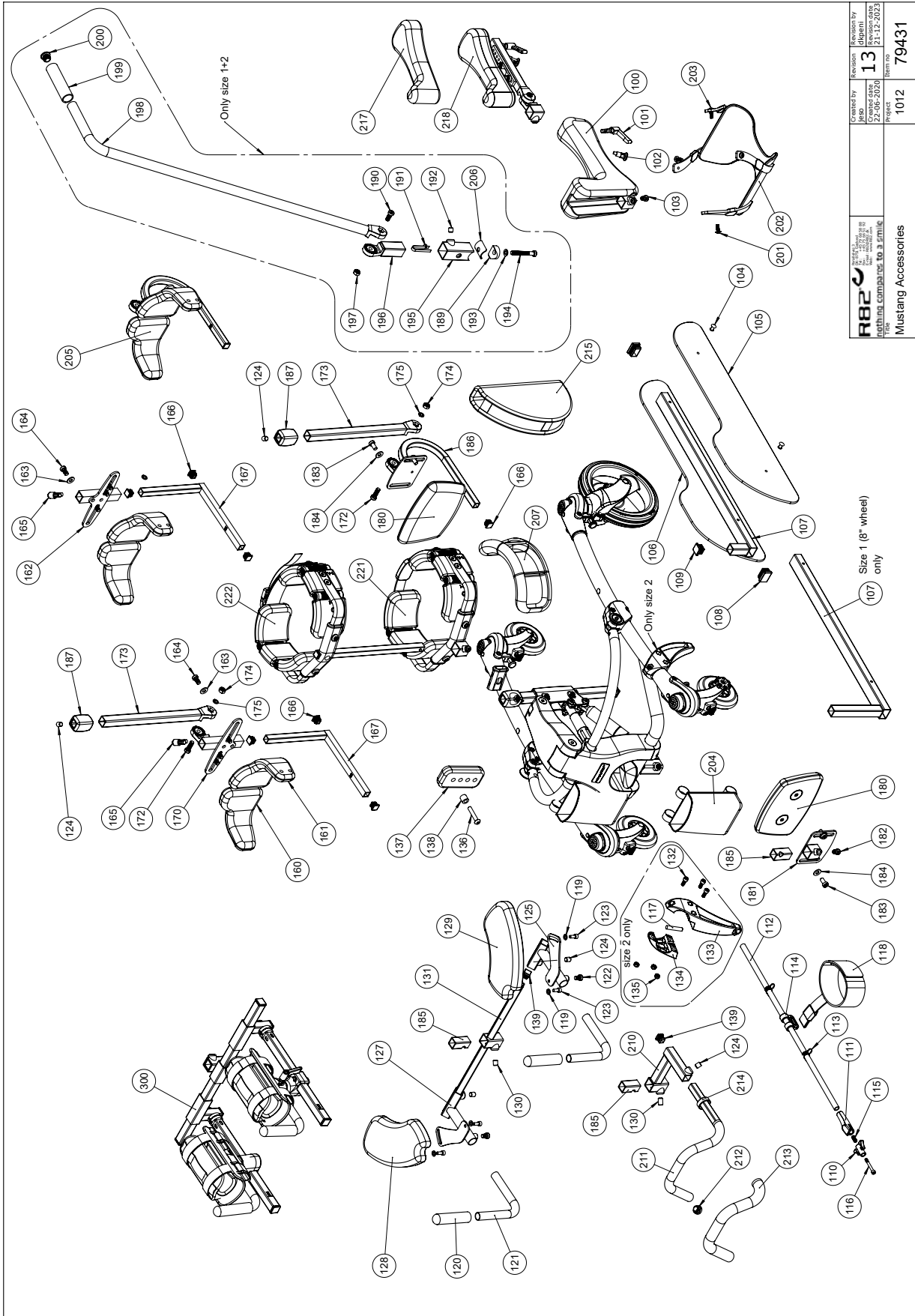
Position	No.	Description	Unit of Measure	Quantity	Ean code
1+92	79438-L+R	Wheel size 2 mounted	STK	4	5707292967251
2+91	79436-L+R	Wheel size 1 Left/ Right	STK	4	5707292967244
3*	P-76501-38	Frame welded (size 1), Yellow	STK	1	5707292832481
	P-76502-10	Frame welded (size 2), White	STK	1	5707292832504
	P-76503-31	Frame welded (size 3), Red	STK	1	5707292832788
	P-76504-35	Frame welded (size 4), Anthracite	STK	1	5707292832801
4	76523	Fix bracket (Left)	STK	2	5707292507570
5	76522	Fix bracket (right)	STK	2	5707292507563
6	0701012	Stopskrue M10x12 flad rf	STK	1	5707292533593
7	76715	Pin ø8x27mm	STK	2	5707292533722
8	1145060	Låseskive Ø6 aksel rf. Din6799	STK	4	5707292375056
9	2501410	Sort blindprop indiv.Ø8,3x12mm	STK	2	5707292577719
10	0602425	Insex M6x25 rustfri	STK	4	5707292404596
11	0602205	Insex M6x16 rustfri	STK	4	5707292404732
12	76720	Q-release, for frame	STK	2	5707292533753
13	1902730	Krydsk. Form h M5x10,fzb ph	STK	2	5707292433084
14	1631060	Rustfri låsemøtrik M6	STK	6	5707292141446
15	1607002	Låsemøtrik 8 mm, A2	STK	3	5707292410955
16	1600524	Rustsf.svejsesmøt. M6 m.flange	STK	2	5707292503541
17	1105080	Rustfri skive 8mm, din125a	STK	2	5707292140364
20	76517	Frontcolumn (size 1+2)	STK	1	5707292507525
21	76519	Bearing shell (size 1+2)	STK	2	5707292507549
22	76518	Overlay (size 1+2)	STK	1	5707292507532
23*	P-76531-38	Stabilisator frame welded siz1	STK	1	5707292832818
	P-76532-10	Stabilisator frame welded siz2	STK	1	5707292832849
	P-76533-31	Stabilisator frame welded siz3	STK	1	5707292832887
	P-76534-35	Stabilisator frame welded siz4	STK	1	5707292832962
24	76539	Name plate, Mustang	STK	1	5707292541833
25	1940007	Eco syn 4x16 torx	STK	8	5707292520593
26	137722	Bush for slim wheel	STK	8	5707292837257
27	6153600	Knopfjeder Ø8x9mm	STK	1	5707292188588
28*	0631003	Insex unders. M10x35, rustfri	STK	2	5707292539670
	0614005	Insex unders.M10x40, rf	STK	2	5707292424457
29*	76555	Bush, topcolumn, size 1+2	STK	2	5707292507846
	76559	Bush, size 3+4 topcolumn Ø10	STK	2	5707292528537
30*	76551-1	Top column (size 1+2)	STK	1	5707292844019
	110227	Top column (size 3+4 black)	STK	1	5707292580245
31*	76575	Bush, size 1-2	STK	2	5707292520647
	76553	Bush, topcolumn size 3-4	STK	2	5707292528377
32*	76554	Bush, topcolumn with M10, size 1-2	STK	1	5707292507839
	76558	Bush, size 3-4	STK	1	5707292528384
33*	107625	Spindle Mustang str. 1+2	STK	1	5707292571977
	107634	Spindle Mustang str. 3+4	STK	1	5707292572004
34*	2200307	Bloc-o-lift 200n, size 1-2	STK	1	5707292539656
	2200308	Bloc-o-lift 200n, size 3-4	STK	1	5707292539786
35	3470335	Udløserknap 4x8mm	STK	1	5707292146632
36*	76706	Pedal plate size 1+2	STK	1	5707292533739
	115713	New Pedal plate size 3+4	STK	1	5707292606402

*choose size/color

Position	No.	Description	Unit of Measure	Quantity	Ean code
37	152310	Release head	STK	1	5707292923127
38	2504500	Dupsko e20x20x1,0-2,0indsort	STK	1	5707292144126
40*	0631002	Insex unders. M10x30, rustfri	STK	2	5707292539663
	0614006	Insex unders.M10x60, rf	STK	2	5707292544957
41	0603200	Insex M8x40, FZB	STK	1	5707292138224
42	0603000	Insex M8x35, FZB	STK	2	5707292138217
43	1761000	Kontramøtrik 10x1,0 fingevind	STK	1	5707292141538
44	1310717	Nylonskive natur Ø17-8,4x2mm	STK	1	5707292140821
45	1310712	Nylonskive natur Ø22x10,5x3mm	STK	1	5707292356345
46	1310601	Nylon skive din 125, m8	STK	1	5707292557261
50	76700	Center joint	STK	1	5707292527127
61	76570	Extension muff	STK	1	5707292519023
62*	76716	Front tube, size 1+2	STK	1	5707292533760
	76717	Front tube, size 3+4	STK	1	5707292552310
71	0701013	Stopskrue M10x16 flad rf	STK	2	5707292533609
78	1781050	Topmøtrik M5 / låsesikring rf	STK	1	5707292530639
79	0658030	Button head M5x60, rustfri	STK	1	5707292530622
80	76696	Frontcolumn (size 3+4)	STK	1	5707292535313
81	76699	Bearing shell (size 3+4) left	STK	1	5707292535344
82	76698	Bearing shell size 3+4 right	STK	1	5707292535337
83	76697	Overlay (size 3+4)	STK	1	5707292535320
84	82950	Brik 16x32, Wombat	STK	1	5707292126030
85	1940009	Eco syn 4x20 torx	STK	8	5707292550897
86	1940037	Eco-syn z M4x16	STK	2	5707292458650
87	75291	Hexagon nøgle nv=5	STK	1	5707292437655
88	76542-1	Bumper, wheel	STK	4	5707292883940
89	1811205	Pladeskrue st 4,8x22 phx, FZB	STK	8	5707292530233
90*	76718	Spring f. pedal plate,size 1+2	STK	1	5707292583574
	0310587	Vridfjeder	STK	1	5707292556240
91+2	79436-L+R	Wheel size 1 Left/ Right	STK	1	5707292967244
92+1	79438-L+R	Wheel size 2 mounted	STK	1	5707292967251
93	1310531	Afdækningsprop,sort Ø6,0 mm	STK	4	5707292396211
94	79439-R-kit	8" slimline wheel+holder,right	STK	1	5707292838278
95	79439-L-kit	8" slimline wheel+holder, left	STK	1	5707292838261

*choose size/color

Accessories (79431)



 R82 A/S Parallelvej 3 8751 Gedved Denmark	Created by jabo	Revision 13	Revision by digital
	Date 22-06-2020	Project 1012	Item no. 79431
Mustang Accessories			

Item numbers for accessories (79431)

Position	No.	Description	Unit of Measure	Quantity	Ean code
100*	76613	Saddle with pur size 1	PCS	1	5707292508218
	76614	Saddle with pur size 2	PCS	1	5707292539298
101	3502115	Spændgreb 45mm M6x15mm	PCS	1	5707292146854
102	0380184	Spec. Låsehus komp.M10x1, 28mm	PCS	1	5707292366030
103	0701012	Stopskrue M10x12 flad rf	PCS	1	5707292533593
104	0506516	Rustfri blindnitte M5x16	PCS	6	5707292137357
105*	76641	Seperator plate, leg. Left Sz1	PCS	1	5707292508317
	76548	Seperator plate size 2-4 left	PCS	1	5707292518927
106*	76642	Seperator plate, leg.Right Sz1	PCS	1	5707292534552
	76549	Seperator plate size 2-4 right	PCS	1	5707292518934
107*	76645	Basic profile, size 1	PCS	1	5707292508348
	76561	Basic profile, size 2	PCS	1	5707292507877
	76564	Basic profile, size 3	PCS	1	5707292507914
	76579	Basic profile, size 4	PCS	1	5707292543615
	118201	Basic profile, legseperator	PCS	1	5707292613479
108	2507000	Dupsko fr 30x20x1,0-2,0indv.s	PCS	2	5707292144232
109	2504500	Dupsko e20x20x1,0-2,0indvsort	PCS	1	5707292144126
110	76545	Lock tap	PCS	2	5707292507761
111	76544	Lock cover	PCS	2	5707292507747
112*	76536	Pole (size 1) L= 525 mm	PCS	2	5707292507679
	76537	Pole (size 2),L=603 mm	PCS	2	5707292518910
	76608	Pole (size 2 special) L=266 mm	PCS	2	5707292554970
	76609	Pole (size 3), L= 703 mm	PCS	2	5707292554956
	76610	Pole (size 4), L= 805 mm	PCS	2	5707292554963
113	76515	Torsions fjeder	PCS	4	5707292507518
114+118	5526050-1	Fodsele Mustang fodstyring	PCS	1	5707292978448
115	0310100	Rf.trykfj 0,9x8x23mmx10,5v	PCS	2	5707292135513
116	0602453	INSEX M5x40 RUSTFRI	PCS	2	5707292519009
117	0530012	Cyl.stift Ø8x40 mm. Rf	PCS	4	5707292541024
119	1105060	Rustfri skive 6,4x12x1,6 (a4)	PCS	4	5707292140357
120	2500516	Overtræk for håndtag 90mm	PCS	2	5707292356727
120+121	5076666	Armstøtte håndtag m overtræk	PCS	2	5707292547361
121	76666	Grip pin, armrest	PCS	2	5707292508461
122	0603530	Insex lav hoved M8x16	PCS	2	5707292412492
123	0609744	Rustfri insex 6x14 ch.	PCS	4	5707292418234
124*	0701012	Stopskrue M10x12 flad rf	PCS	1	5707292533593
	0701013	Stopskrue M10x16 flad rf	PCS	1	5707292533609
125	76662	Armrest welded, left	PCS	1	5707292508454
127	76661	Armrest welded, right	PCS	1	5707292508393
128	76659	Armrest with PUR, Right	PCS	1	5707292508386
129	76658	Armrest with PUR, Left	PCS	1	5707292508379
130*	0701013	Stopskrue M10x16 flad rf	PCS	1	5707292533609
	0701012	Stopskrue M10x12 flad rf	PCS	2	5707292533593
131*	76621	Armrest holder, size 1-2	PCS	1	5707292508249
	76622	Armrest holder, size 3+4	PCS	1	5707292552839
	147435	Long cross bar weld	PCS	1	5707292924827
	147463	Short cross bar weld	PCS	1	5707292924834
132	0602205	Insex M6x16 rustfri	PCS	12	5707292404732

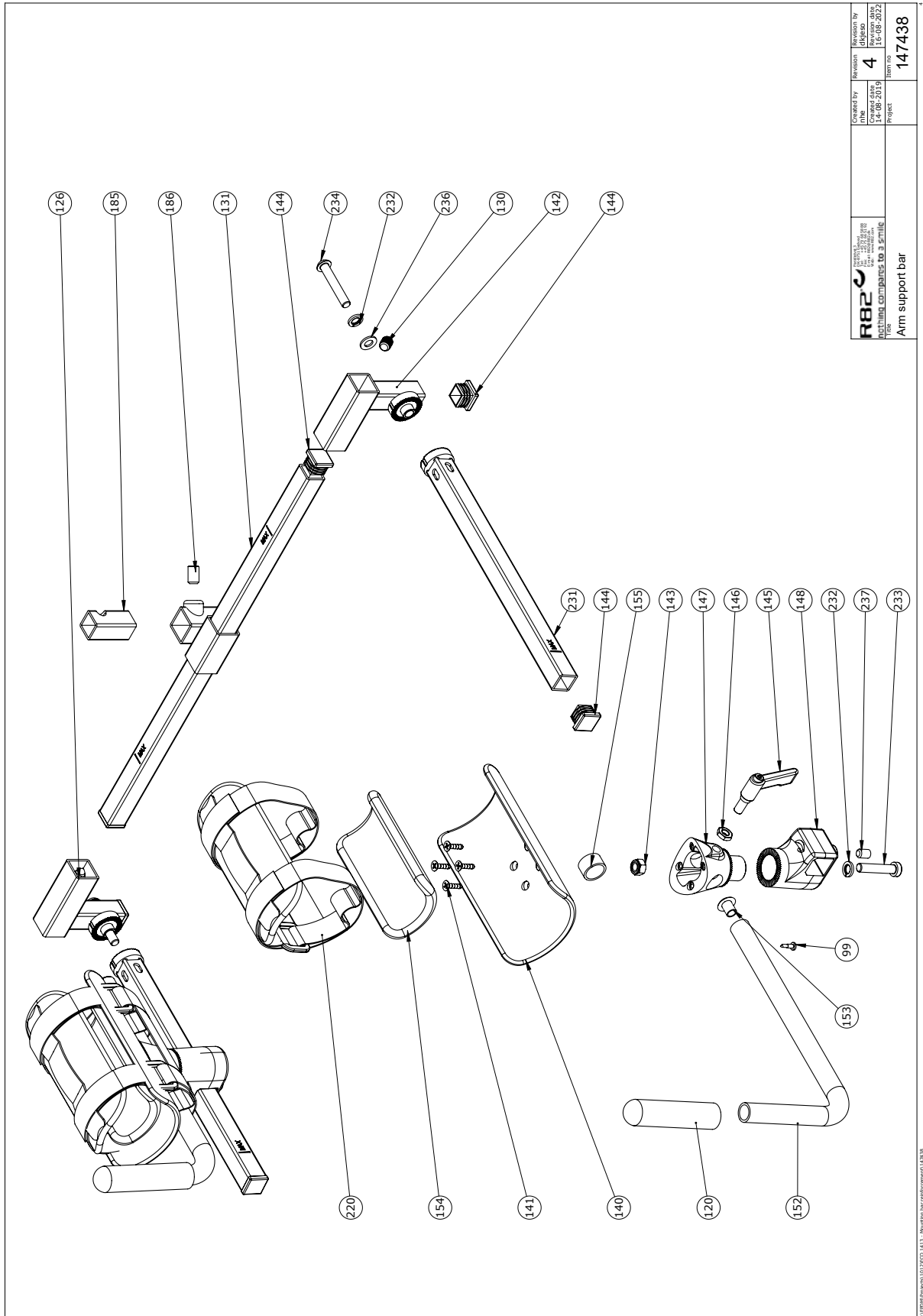
*choose size/color

Position	No.	Description	Unit of Measure	Quantity	Ean code
133	76577	Gatetrainer adapter	PCS	4	5707292535641
134	76578	Gatetrainer adapter	PCS	4	5707292535665
135	1631060	Rustfri låsemøtrik M6	PCS	12	5707292141446
136	0661140	Button head 8x40 FZB	PCS	1	5707292572059
137	72845	BRYSTSTØTTE,MELLEME PUR,STR.2	PCS	1	5707292445834
138	1350024	Afs.styk.sort 14x15x8,2mm	PCS	1	5707292140920
139	2504000	Dupsko e15x15x1,0-2,0indvsort	PCS	1	5707292144102
160*	72830	BRYSTSTØTTE STR. 2 HØJRE	PCS	1	5707292421357
	72840	Bryststøtte str. 3 højre	PCS	1	5707292421371
161*	72831	BRYSTSTØTTE STR. 2 VENSTRE	PCS	1	5707292421364
	72841	Bryststøtte str. 3 venstre	PCS	1	5707292421388
162	72738	MONTERINGS KRYDS, RYGSTØTTE	PCS	1	5707292422989
163	1102010	Planskive 8,4x18x2 mm, FZB	PCS	4	5707292429766
164	0603528	Insex lav hoved M8x14	PCS	4	5707292564474
165	3502516	Spændgreb 40mm M8x16mm	PCS	1	5707292146915
166	2504001	Dupsko 15x15x1-2indvsort vælve	PCS	3	5707292561343
167	139275	Tube angle	PCS	1	5707292869548
170	75294	Monterings kryds, rygstøtte	PCS	1	5707292509963
172	0603535	Insex lav hoved M8x25	PCS	1	5707292575319
173	76585	Mounting for head support	PCS	1	5707292535542
174	1603500	Stålmøtrik 8mm, FZB storpak	PCS	1	5707292141286
175	1100495	Fjederskive M8 RF	PCS	1	5707292458674
180*	72850	RYGSTØTTE/MAVESTØTTE	PCS	1	5707292423023
	5038100	Polst.Sacrumstøtte str. 2	PCS	1	5707292553386
181	76530	Mounting plate, front support	PCS	1	5707292507617
182	0603534	Insex lav hoved M8x20	PCS	1	5707292575302
183	0603530	Insex lav hoved M8x16	PCS	2	5707292412492
184	1102010	Planskive 8,4x18x2 mm, FZB	PCS	2	5707292429766
185	76616	Tube 25x25 to 15x15 adapter	PCS	1	5707292508225
186	139279	Mounting plate	PCS	1	5707292869562
187	76570	Extension muff	PCS	1	5707292519023
189	82894	Saddelskive, Wombat	PCS	1	5707292387578
190	0603534	Insex lav hoved M8x20	PCS	1	5707292575302
191	6153550	Knopfjeder Ø7,5x5,5 mm	PCS	1	5707292513717
192	0701012	Stopskrue M10x12 flad rf	PCS	1	5707292533593
193	1105080	Rustfri skive 8mm, din125a	PCS	1	5707292140364
194	0603541	Insex lav hoved M8x60	PCS	1	5707292575364
195	76660	Push brace bracket	PCS	1	5707292534965
196	76646	Angle joint, guide brace	PCS	1	5707292519528
197	1603500	Stålmøtrik 8mm, FZB storpak	PCS	1	5707292141286
198	76647	Brace welded	PCS	1	5707292519535
199	2500520	Tpe-overtræk Ø20mm, l=300mm	PCS	1	5707292401649
200	2503010	Dupsko d22x1,8-3,5 indv sort	PCS	1	5707292357632
201	0659501	Button head m/flange M6x16 FZB	PCS	2	5707292356000
202*	5027245	Syet hængesæde Mustang str. 1	PCS	1	5707292547163
	5027246	Syet hængesæde Mustang str. 2	PCS	1	5707292547170
203	0641621	Button head m/flange M6x20 FZB	PCS	2	5707292360960
*choose size/color					

Position	No.	Description	Unit of Measure	Quantity	Ean code
204x	869560	Storage pouches for sizes 1 and 2	PCS	1	5707292538819
	869565	Storage bag for sizes 3 and 4	PCS	1	5707292538826
205	N/A	See "Hip supports on curved bar" on page 16	N/A	N/A	N/A
206	137717	Protection push brace bracket	PCS	1	5707292837165
207*	5500280	Syet betræk bryststøtte, small	PCS	2	5707292539137
	5500281	Syet betræk bryststøtte, medium	PCS	2	5707292539144
	5500282	Syet betræk bryststøtte, Large	PCS	2	5707292539151
210*	76725	Armrest holder	PCS	1	5707292534569
	101009	Armrest holder, size 2	PCS	1	5707292552938
211*	76727	Front tube welded, armrest	PCS	1	5707292534583
	101007	Front tube welded, size 2	PCS	1	5707292552976
212	2502510	Dupsko d20x2,0-2,5 indiv. Sort	PCS	1	5707292557759
213	2500550	Overtræk f/Ø20 håndbøjle 700mm	PCS	1	5707292388520
214	76510	Ende prop	PCS	1	5707292502872
215	869470	Leg pad	PCS	1	5707292553256
217*	869115-160	Cover for comfort seat small	PCS	1	5707292903921
	869125-260	Cover for comfort seat large	PCS	1	5707292903914
218*	869115	Comfort seat small	PCS	1	5707292883650
	869125	Comfort seat large	PCS	1	5707292883667
221	N/A	See "Pelvis support (869610, 869620, 869630)" on page 20	N/A	N/A	N/A
222	N/A	See "Chest support (869810, 869820, 869830)" on page 18	N/A	N/A	N/A
300	N/A	See "Arm prompts" on page 10	N/A	N/A	N/A

*choose size/color

Arm prompts (869310-1, 869320-1, 869325-1, 869330-1, 869340-1, 869345-1)

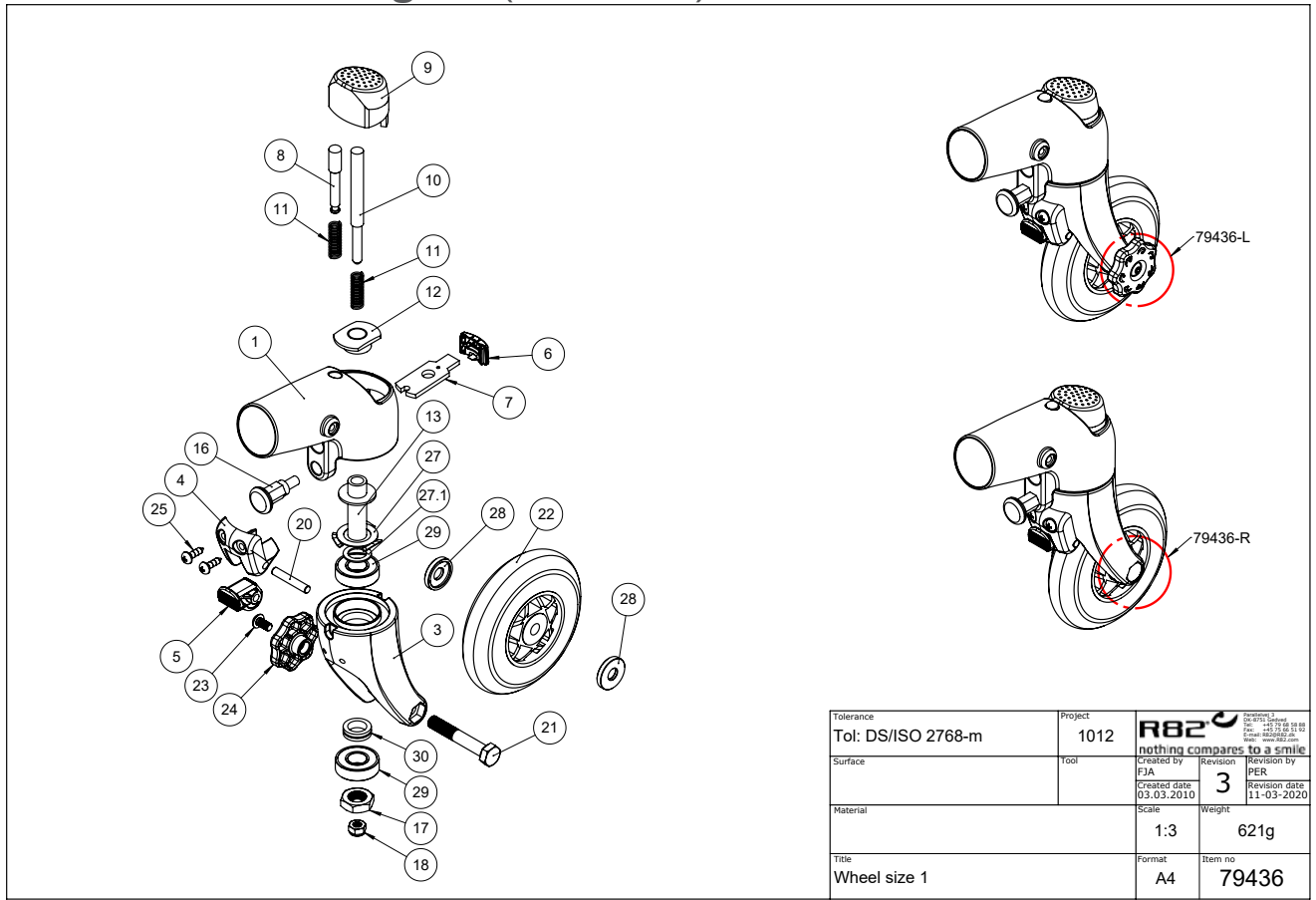


Item numbers for Arm prompts (869310-1, 869320-1, 869325-1, 869330-1, 869340-1, 869345-1)

Position	No.	Description	Unit of Measure	Quantity	Ean code
99	1811200	Pladeskrue st 3,5*13 phx, FZB	PCS	2	5707292141712
120	2500516	Overtræk for håndtag 90mm	PCS	2	5707292356727
126	147402	Adjustable mounting weld R	PCS	1	5707292924810
130	0701012	Stopskrue M10*12 flad rf	PCS	2	5707292533593
131*	147463	Short cross bar weld	PCS	1	5707292924834
	147435	Long cross bar weld	PCS	1	5707292924827
140*	73448	Armholder 1,crocodile	PCS	2	5707292355126
	73449	Armholder 2,crocodile	PCS	2	5707292355133
141	1940016	Pladeskrue uhx 4,2*19 FZB	PCS	8	5707292356796
142	147472	Adjustable mounting weld L	PCS	1	5707292924803
143	1607000	Låsemøtrik 8 mm	PCS	2	5707292141378
144	2504500	Dupsko e20*20*1,0-2,0indvsort	PCS	6	5707292144126
145	3502516	Spændgreb 40mm M8*16mm	PCS	2	5707292146915
146	1750800	Rustfri kontramøtrik M8	PCS	2	5707292141484
147	73446	Holder,crocodile	PCS	2	5707292355102
148	147324	Armrest mount	PCS	2	5707292912831
152*	73467	RØR FOR HÅNDGREB	PCS	2	5707292356314
	152065	Tube part for handgrip	PCS	2	5707292923004
	76588	Tube part f. armrest	PCS	2	5707292535481
153	2502002	Dupsko d18*0,8-2,5 indiv. Sort	PCS	2	5707292433947
154*	5020910	ARMSTØTTEBETRÆK ST.1 CROCODILE	SET	1	5707292361158
	5020920	Armstøttebetræk st.2 Crocodile	SET	1	5707292361165
155	128485	Steel bushing for armrest	PCS	2	5707292795304
185	76616	Tube 25x25 to 15x15 adapter	PCS	1	5707292508225
186	0701013	Stopskrue M10*16 flad rf	PCS	1	5707292533609
220	869320	Padded forearm positioner	PCS	1	5707292579676
231	147453	Extender bracket	PCS	2	5707292924773
232	1100500	Fjederskive M8, rustfri	PCS	4	5707292140142
233	0603538	Insex lav hoved M8*40	PCS	2	5707292575340
234	0663050	Button head M8*50, rustfri	PCS	2	5707292400697
236	1103200	Facetskive 8*16*1,5 mm, FZB	PCS	2	5707292140296
237	0808020	Rustfr.stopskr.M8*12.m/fl.ende	PCS	2	5707292140074

*choose size/color

4" wheels and bushings kit (79436-kit)



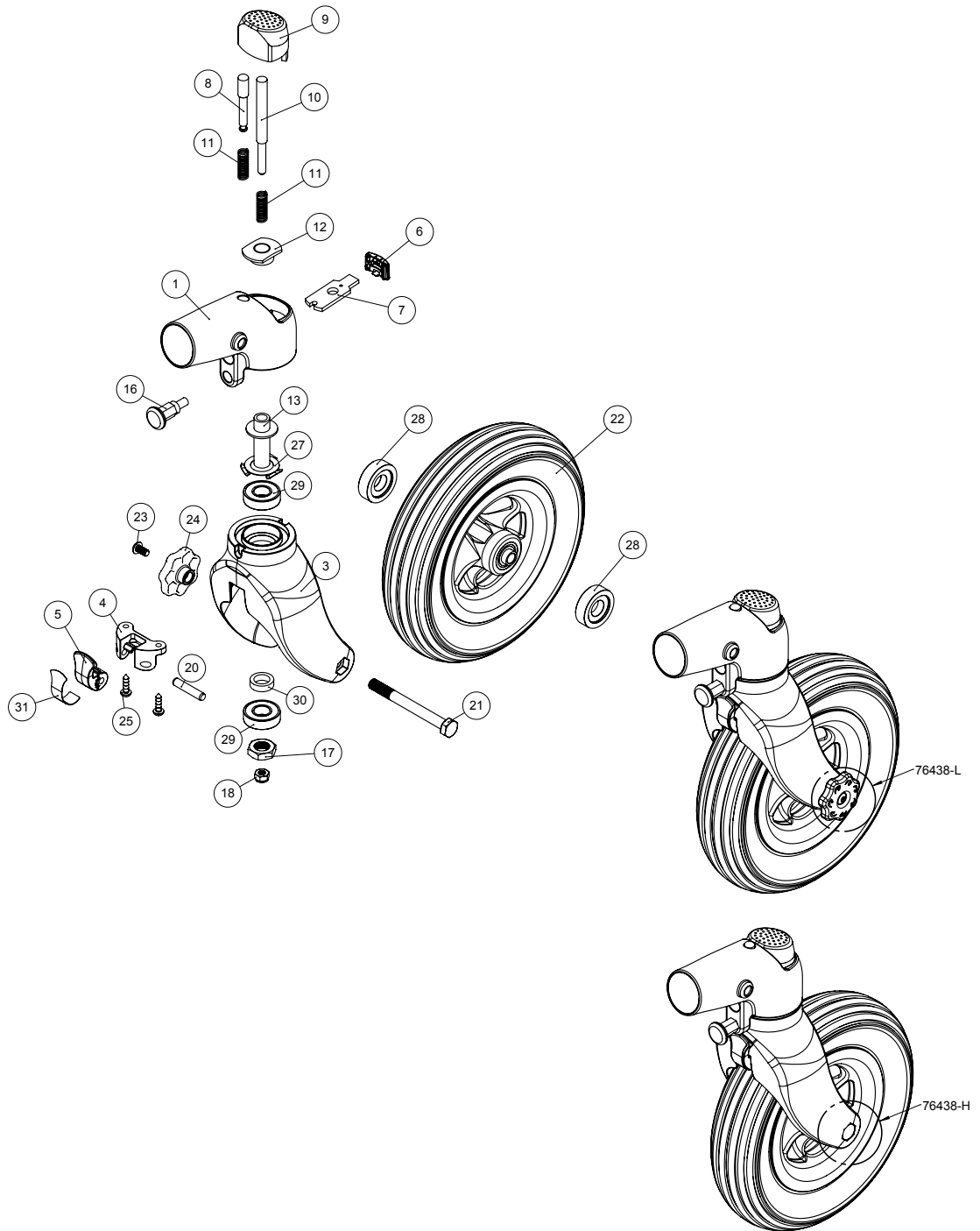
Tolerance	Project	R82 <small>nothing compares to a smile</small>	
Tol: DS/ISO 2768-m	1012	Created by FJA	Revision 3
Surface	Tool	Created date 03.03.2010	Revision by PER Revision date 11-03-2020
Material		Scale 1:3	Weight 621g
Title Wheel size 1		Format A4	Item no 79436

Item numbers for 4" wheels and bushings kit (79436-kit)

Position	No.	Description	Unit of Measure	Quantity	Ean code
1	76541	Holder size 1, wheel	PCS	1	5707292507686
3	76543	Fork size 1, wheel	PCS	1	5707292507730
4	76546	Brake holder	PCS	1	5707292507808
5	76547	Brake pal	PCS	1	5707292507815
6	73603	Snap for wheel	PCS	1	5707292420480
7	73605	Latch plate	PCS	1	5707292418500
8	73607	Release pin	PCS	1	5707292419651
9	101013	Brake pushbutton, Mustang	PCS	1	5707292552877
10	73606	Brake shaft	PCS	1	5707292419644
11	0310100	Pressure spring 0,9x8x23x10,5v	PCS	2	5707292135513
12	73616	Nut M12x1	PCS	1	5707292419705
13	73608	Bearing bush	PCS	1	5707292419668
16	0380186	House for lock, Bronco	PCS	1	5707292381996
17	1761200	Versus nut 12x1, fine threaded	PCS	1	5707292141545
18	1631060	Stainless lock nut 6mm	PCS	1	5707292141446
20	0529325	Cycle pin Ø5,0x28mm	PCS	1	5707292520609
21	76565	Hex cap screws, wheel size 1	PCS	1	5707292519481
22	3030000	4" pu casted wheel	PCS	1	5707292395047
23	0658010	Button head M5 x 10, stainless	PCS	1	5707292139375
24	76567	Handle drag wheel	PCS	1	5707292515919
25	1940039	Eco-syn z 4x16 stainless	PCS	2	5707292502070

27	6108150	Spring washer 29,57x17,48	PCS	1	5707292378200
27.1	0683900	Tight-washer 12x18x1	PCS	1	5707292139726
28	76525	Disc Ø22/Ø18/Ø8,2	PCS	2	5707292507587
29	2985210	Ball bearing 02 6001 2rs	PCS	2	5707292379412
30	73609	Distance bush	PCS	1	5707292419675

8" wheels and bushings kit (79438-kit)



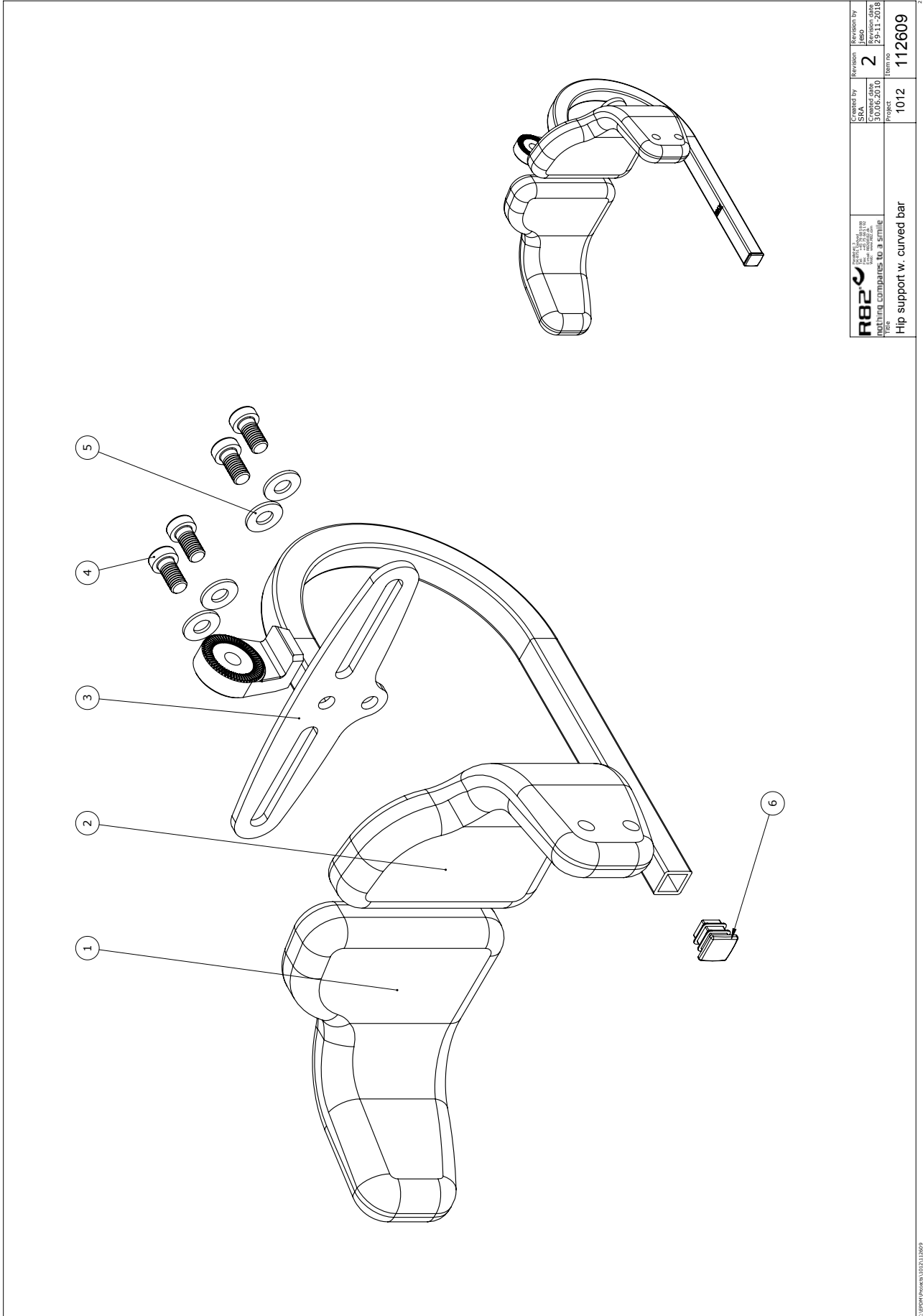
 nothing compares to a smile Title Wheel ø190, size 2	Created by TTH	Revision 2	Revision by jeso
	Created date 03.03.2010	Revision date 15-08-2018	Item no. 79438

C:\EPDM\Projects\1012179438

Item numbers for 8" wheels and bushings kit (79438-kit)

Position	No.	Description	Unit of Measure	Quantity	Ean code
1	76541	Holder size1, wheel	PCS	1	5707292507686
3	76702	Fork for wheel Ø190	PCS	1	5707292527080
4	76704	Brakeholder for wheel Ø190	PCS	1	5707292527103
5	76703	Brakepal for wheel Ø190	PCS	1	5707292527097
6	73603	Snap for wheel	PCS	1	5707292420480
7	73605	Latch plate	PCS	1	5707292418500
8	73607	Release pin	PCS	1	5707292419651
9	101013	Brake pushbutton, Mustang	PCS	1	5707292552877
10	73606	Brake shaft	PCS	1	5707292419644
11	0310100	Pressure spring 0,9x8x23x10,5v	PCS	2	5707292135513
12	73616	Nut M12x1	PCS	1	5707292419705
13	73608	Bearing bush	PCS	1	5707292419668
16	0380186	House for lock, Bronco	PCS	1	5707292381996
17	1761200	Versus nut 12x1, fine threaded	PCS	1	5707292141545
18	1631060	Stainless lock nut 6mm	PCS	1	5707292141446
20	0529324	Cylinder pin Ø5,0x24 mm. stain	PCS	2	5707292523471
21	76568	Bolt, wheel size 2	PCS	1	5707292519498
22	3001612	200x50 grey/flexel wheel	PCS	1	5707292606365
23	0658010	Button head M5 x 10, stainless	PCS	1	5707292139375
24	76567	Handle drag wheel	PCS	1	5707292515919
25	1940039	Eco-syn z 4x16 stainless	PCS	2	5707292502070
27	6108153	Spring washer	PCS	1	5707292528414
28	76705	Disc Ø30/Ø22/Ø13,2x5,3	PCS	2	5707292527110
29	2985210	Ball bearing 02 6001 2rs	PCS	2	5707292379412
30	73609	Distance bush	PCS	1	5707292419675
31	76708	Sandpaper tape for Brakeholder	PCS	1	5707292547835

Hip supports on curved bar (869222, 869232)



 R82 A/S Parallelvej 3 8751 Gedved Denmark Making computers to a smile	Created by SRA	Revision 2	Revision by JMSO
	Create date 30.03.2010	Part no. 1012	Revision date 29-11-2018
Part name Hip support w. curved bar		Part no. 112609	

C:\pww\pww\869222\112609

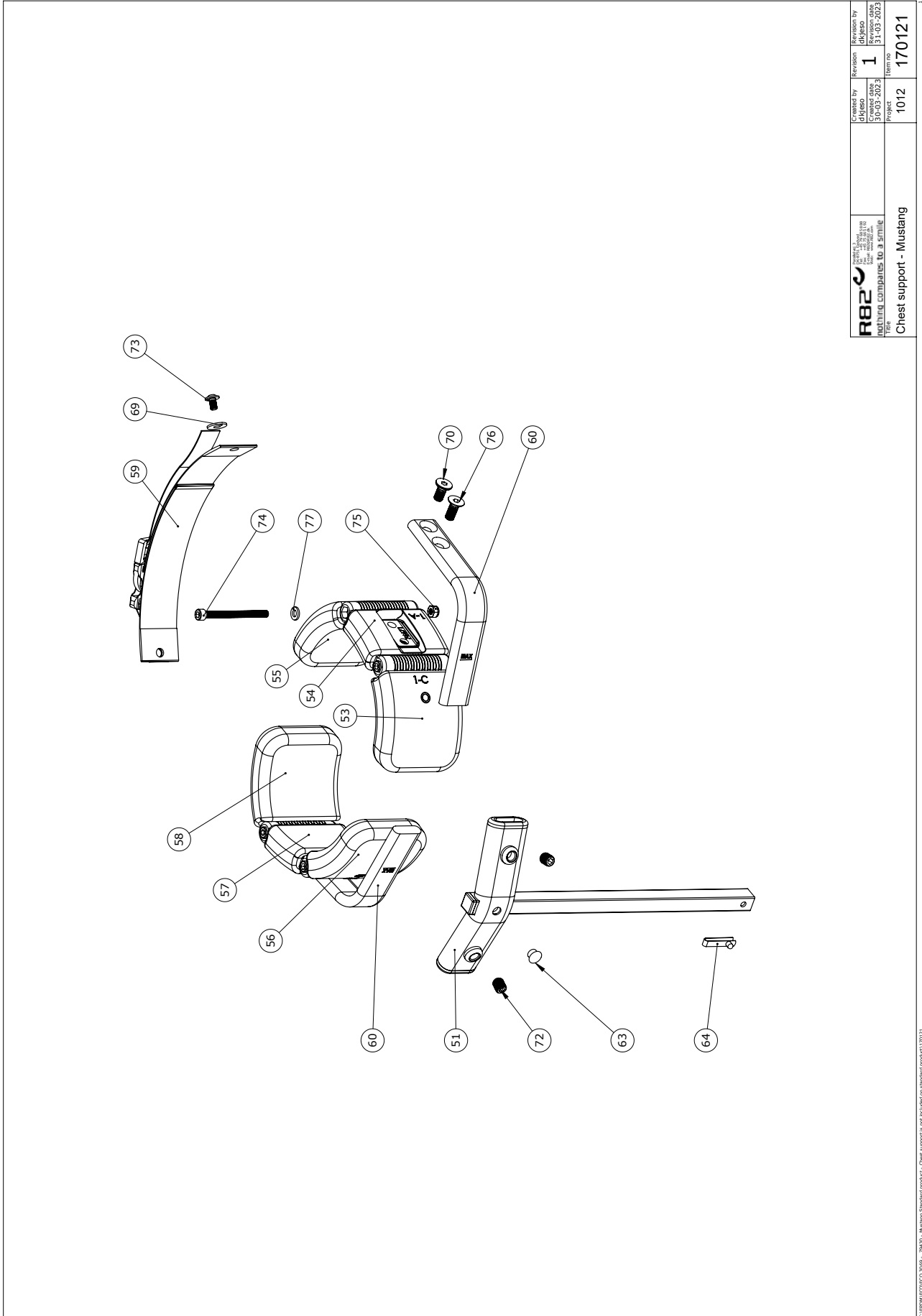
Item numbers for Hip supports on curved bar - small (869222)

Position	No.	Description	Unit of Measure	Quantity	Ean code
1	72830	Chestsupport size 2 right	PCS	1	5707292421357
2	72831	Chestsupport size 2 left	PCS	1	5707292421364
3	139277	Mounting Curved Bar	PCS	1	5707292869555
4	0603528	Insex low head M8x14	PCS	4	5707292564474
5	1102010	Face plate 8,4x18x2mm, FZB	PCS	4	5707292429766
6	2504001	Ferrule 15x15x1-2 int.black	PCS	1	5707292561343

Item numbers for Hip supports on curved bar - large (869232)

Position	No.	Description	Unit of Measure	Quantity	Ean code
1	72840	Chestsupport size 3 right	PCS	1	5707292421371
2	72841	Chestsupport size 3 left	PCS	1	5707292421388
3	139277	Mounting Curved Bar	PCS	1	5707292869555
4	0603528	Insex low head M8*14	PCS	4	5707292564474
5	1102010	Face plate 8,4*18*2mm, FZB	PCS	4	5707292429766
6	2504001	Ferrule 15*15*1-2 int.black	PCS	1	5707292561343

Chest support (869810, 869820, 869830)



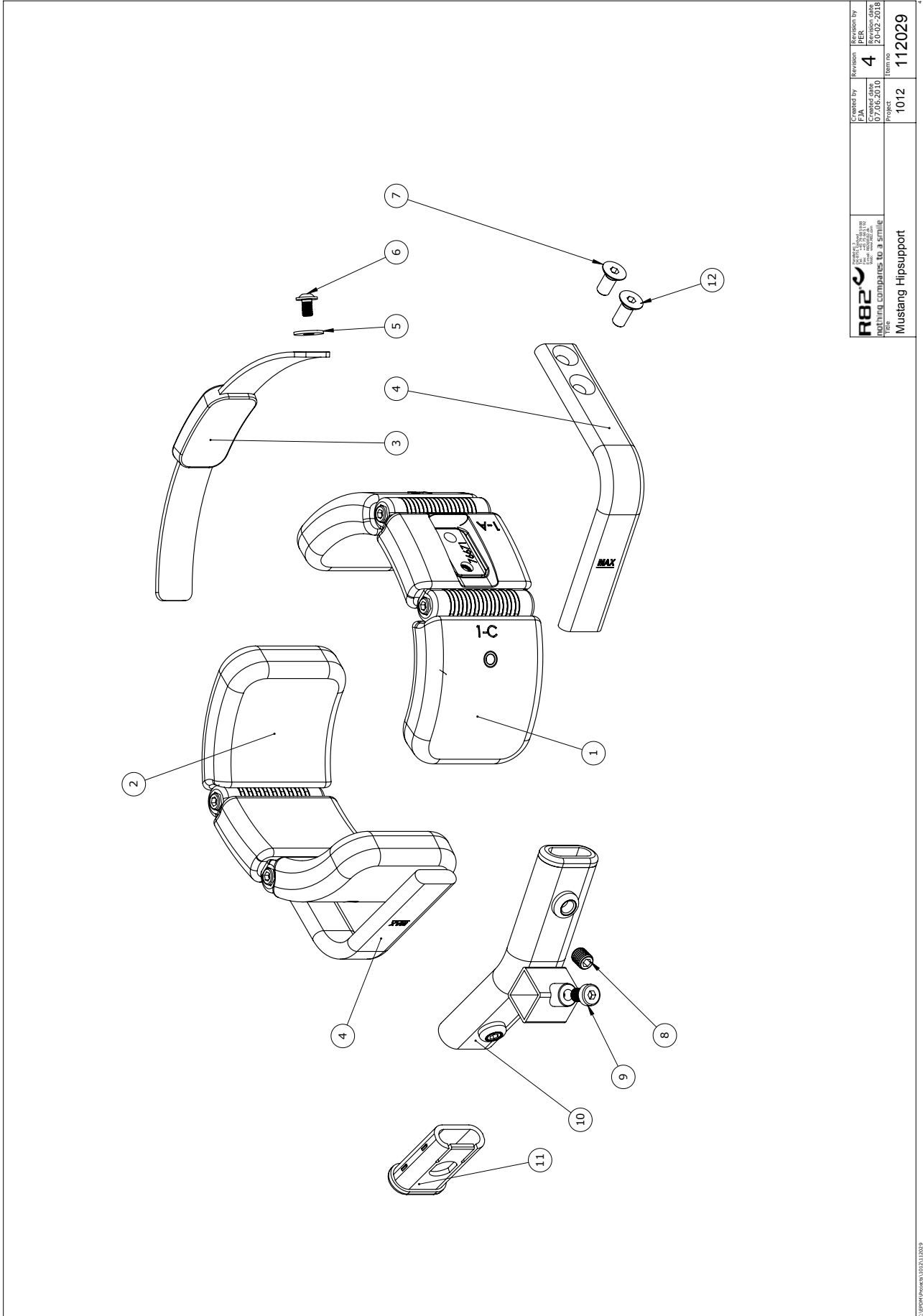
 R82 A/S Parallelvej 3 8751 Gedved Denmark Making computers to a smile	Created by dk/eso	Revision 1	Revision date 31-03-2023
	Part no. 1012	Part no. 170121	Part no. 170121
Chest support - Mustang			

Copyright © 2023 R82 A/S. All rights reserved. R82 A/S is not liable for any damage or loss of data.

Item numbers for Chest support (869810, 869820, 869830)

Position	No.	Description	Unit of Measure	Quantity	Ean code
51*	126939	Centerpole mounted size 1+2	1	PCS	5707292779410
	126943	Centerpole mounted size 3+4	1	PCS	5707292779434
53*	76686	Flip support with pur size 1-c, left	1	PCS	5707292508638
	76687	Flip support with pur size 2-c, left	1	PCS	5707292508645
54*	76676	Side support with pur size 1-a, left	1	PCS	5707292508522
	76677	Side support with pur size 2-a, left	1	PCS	5707292508539
55*	76686	Flip support with pur size 1-c, left	1	PCS	5707292508638
	76689	Flip support with pur size 2-d, left	1	PCS	5707292508669
56*	76686	Flip support with pur size 1-c, right	1	PCS	5707292508638
	76689	Flip support with pur size 2-d, right	1	PCS	5707292508669
57*	76676	Side support with pur size 1-a, right	1	PCS	5707292508522
	76679	Side support with pur size 2-b, right	1	PCS	5707292508560
58*	76686	Flip support with pur size 1-c, right	1	PCS	5707292508638
	76687	Flip support with pur size 2-c, right	1	PCS	5707292508645
59	5540410	Band Mustang size 1-2-3-4	1	PCS	5707292527509
60*	76596-1	Width adjustment size 1	2	PCS	5707292874726
	76597-1	Width adjustment size 2	2	PCS	5707292874733
	76598-1	Width adjustment size 3+4	2	PCS	5707292874740
63	1310550	Covering stud, black, Gazelle	1	PCS	5707292140722
64	6153700	Knob spring f.activity centre	1	PCS	5707292188601
69	1130600	Stainless washer M6 din9021	2	PCS	5707292140517
70	0624823	Insex unders. M8*18, FZB	2	PCS	5707292893536
72	0701012	Stop screw M10*12 flat stainl.	2	PCS	5707292533593
73	0641621	Button head w/flange M6*20 FZB	2	PCS	5707292360960
74	0602470	Insex M6*70, stainless	2	PCS	5707292407870
75	1631060	Stainless lock nut 6mm	2	PCS	5707292141446
76	0624821	Insex unders. M8*20 FZB	2	PCS	5707292893529
77	1101750	Washer, conic, M6, FZB	2	PCS	5707292528421
*choose size/color					

Pelvis support (869610, 869620, 869630)



 R82 A/S Parallelvej 3 8751 Gedved Denmark R82 is a registered trademark of R82 A/S. All rights reserved. R82 is a registered trademark of R82 A/S. All rights reserved. R82 is a registered trademark of R82 A/S. All rights reserved.	Created by FJA	Revision 4	Revision date 20-02-2010	Part no. 112029
	Checked by FJA	Checked date 17-02-2010	Part no. 1012	Part no. 112029

Mustang Hipsupport

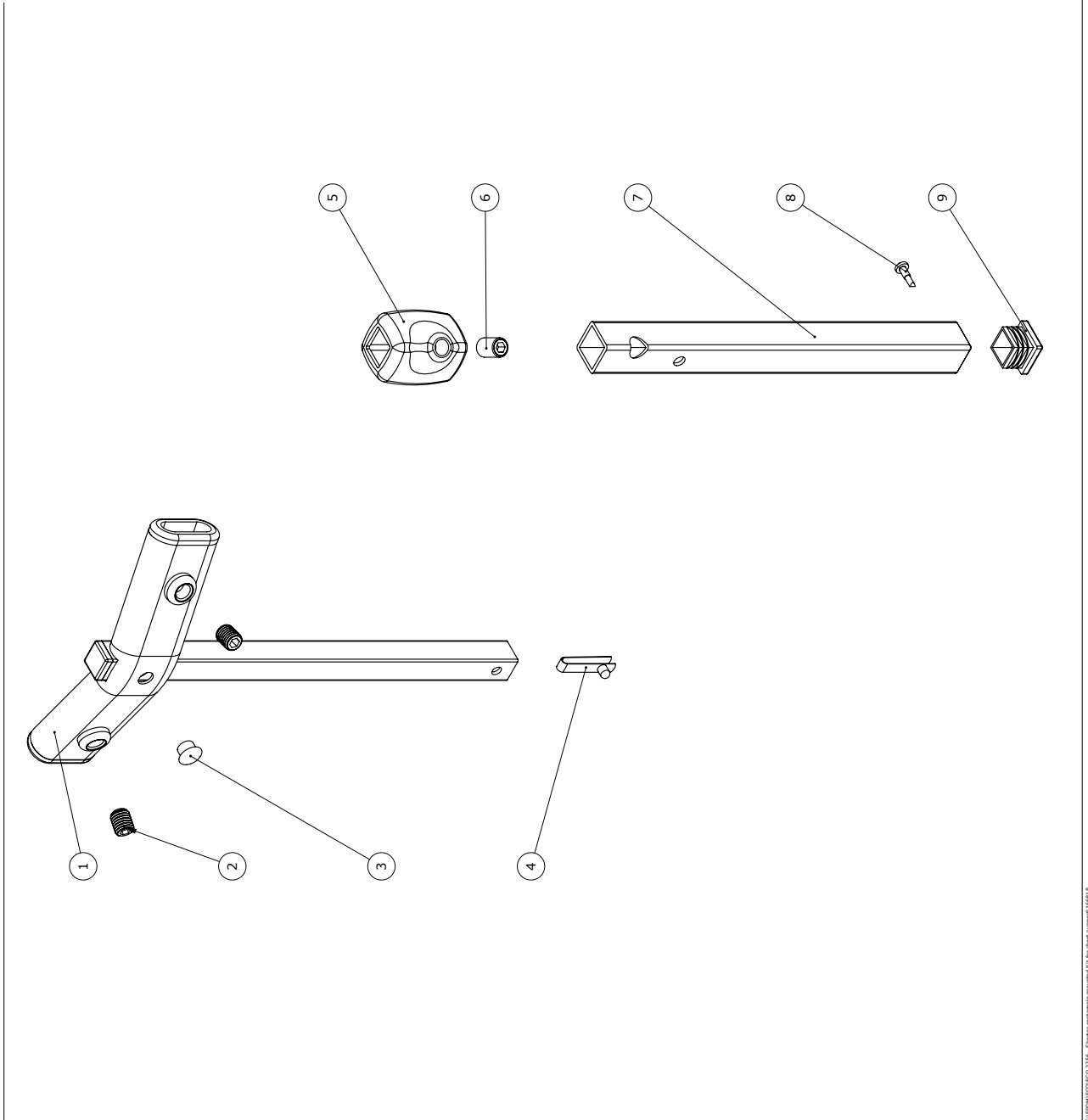
Copyright © 2010 R82 A/S

Item numbers for Pelvis support (869610, 869620, 869630)

Position	No.	Description	Unit of Measure	Quantity	Ean code
1*	5087041-L	Bryststøtte, lille, venstre	PCS	1	5707292573513
	5087042-L	Bryststøtte, mellem, venstre	PCS	1	5707292573537
	5087043-L	Bryststøtte, stor, venstre	PCS	1	5707292573551
2*	5087041-R	Bryststøtte, lille, højre	PCS	1	5707292573520
	5087042-R	Bryststøtte, mellem, højre	PCS	1	5707292573544
	5087043-R	Bryststøtte, stor, højre	PCS	1	5707292573568
3	5540410	Gjord Mustang str. 1-2-3-4	PCS	1	5707292527509
4*	76596-1	Width adjustment size 1	PCS	2	5707292874726
	76597-1	Width adjustment size 2	PCS	2	5707292874733
	76598-1	Width adjustment size 3+4	PCS	2	5707292874740
5	1130600	Rustfri skive M6, din9021	PCS	2	5707292140517
6	0641621	Button head m/flange M6*20 FZB	PCS	2	5707292360960
7	0624823	Insex unders. M8*18, FZB	PCS	2	5707292893536
8	0701012	Stopskrue M10*12 flad rf	PCS	2	5707292533593
9	0603532	Insex lav hoved M8*18	PCS	1	5707292564481
10+11*	50109405	Bracket for hip support size 1	PCS	1	5707292580320
	50110757	Bracket for hip support size 2	PCS	1	5707292580313
12	0624821	Insex unders. M8*20 FZB	PCS	2	5707292893529
*choose size/color					

Chest support short kit (869800-KIT)

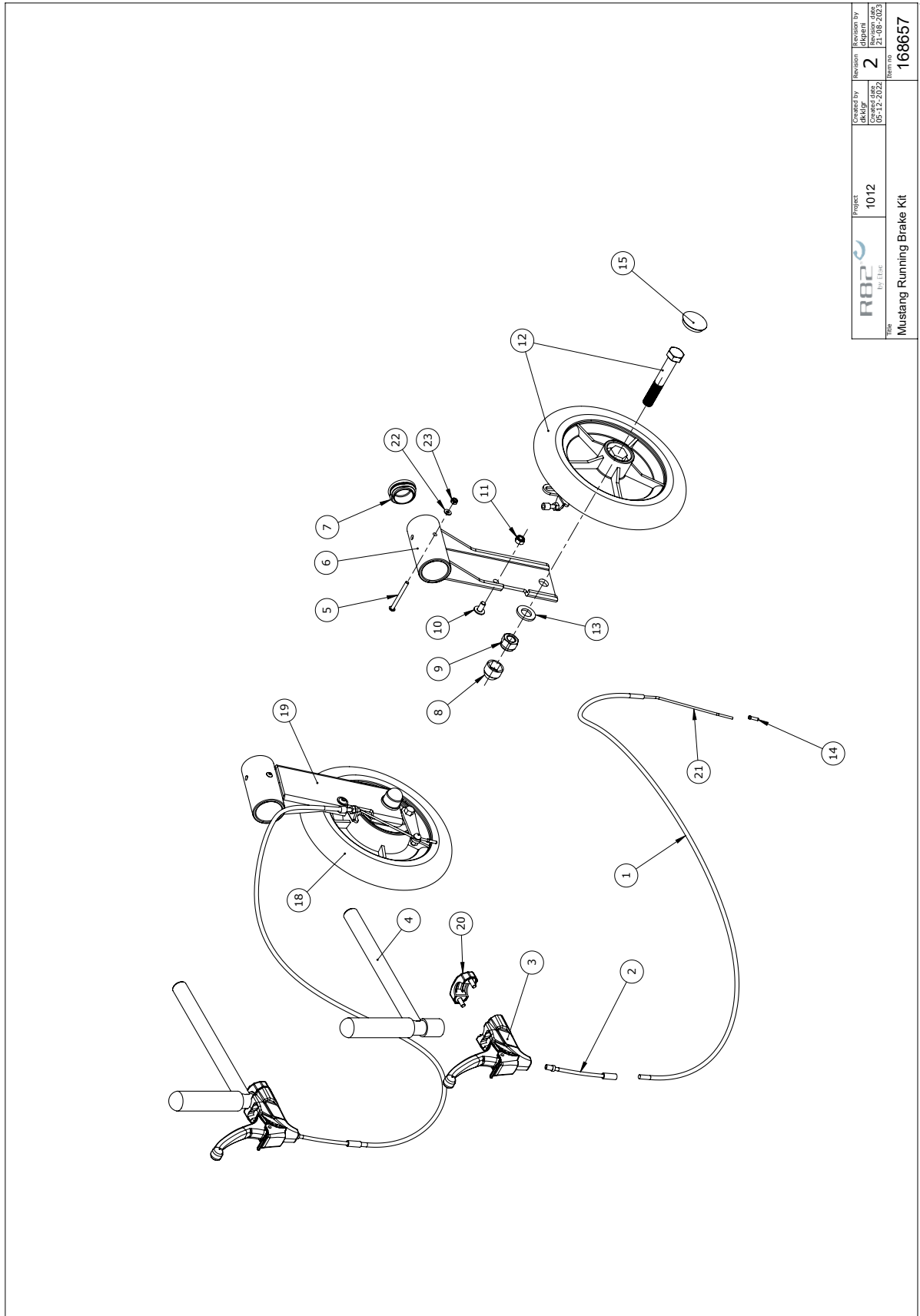
 by, Ltd.	Project	Created by	Revision by	Revision no.
		dlj/seo	dlj/seo	1
		Created date	Revision date	Part no.
		15-09-2022	08-09-2022	166818
Title				
Chest Support - Short Kit				



Item numbers for Chest support short kit (869800-KIT)

Position	No.	Description	Unit of Measure	Quantity	Ean code
1	166695	Centerpole mounted - Short	PCS	1	5707292972354
2	0701012	Stopskrue M10*12 flad rf	PCS	2	5707292533593
3	1310550	Afdækningstap,sort t/gazelle	PCS	1	5707292140722
4	6153700	Knopfjeder Ø5x6,5	PCS	1	5707292188601
5	76570	Extension muff	PCS	1	5707292519023
6	0701013	Stopskrue M10*16 flad rf	PCS	1	5707292533609
7	166698	Front tube - Short	PCS	1	5707292968081
8	1811200	Pladeskrue st 3,5*13 phx, FZB	PCS	1	5707292141712
9	2504500	Ferrule e20*1,0-2,0 int.black	PCS	1	5707292144126

Decelerating hand brake system kit (869346-1, 869346-2, 869346-3, 869346-4)



	Project	Revision	Drawn by
	1012	2	21-08-2023
Mustang Running Brake Kit		Part No.	168657

C:\PMP\Projects\1012\1012\144 Mustang Brake Kit.dwg

Item numbers for Decelerating hand brake system kit (869346-1, 869346-2, 869346-3, 869346-4)

Position	No.	Description	Unit of Measure	Quantity	Ean code
1*	5002750	Cable for brake, size 1+2	PCS	2	5707292413635
	5002987	Outer casing 103cm	PCS	2	5707292520104
	5002965	Cable for central brake size 3	PCS	2	5707292408846
	5102996	Kabel til mustang (L=1640 mm)	PCS	2	5707292976956
2	0380060	Flexible v-brake pipe.	PCS	2	5707292425195
3	3503550	Black/Grey LK1820VK.1386.2	PCS	2	5707292903259
4	169384	Alu-handle mounted sz 1	PCS	2	5707292983831
4	169486	Alu-handle mounted sz 2	PCS	2	5707292983848
4	169487	Alu-handle mounted sz 3-4	PCS	2	5707292983855
5	0631949	Button head M4x45, stainless	PCS	2	5707292987433
6	159173	Wheel plate f drumbrake welded	PCS	1	5707292971203
7	2503940	Ferrule 32x1,0-2,0 inner black	PCS	2	5707292144072
8	2501403	Nut protection, black f/M12	PCS	2	5707292980243
9	1607005	Locknut 12 mm, A2	PCS	2	5707292535368
10	0659011	Button head with flange M6*12	PCS	2	5707292505507
11	1606500	Lock nut 6 mm	PCS	2	5707292141361
12	3402431	Wheel with KU- Rim Left	PCS	1	5707292933218
13	1103500	Fazet washer 12mm	PCS	2	5707292140326
14	0387000	End nipple for outer casing	PCS	2	5707292136091
15	2704300	Black hub cap for rolko wheel	PCS	2	5707292144515
18	3402436	Wheel with KU- Rim Right	PCS	1	5707292933225
19	166174	Wheel plate f drumbrake welded	PCS	1	5707292971197
20	3503536	Clamp w/screws	PCS	2	5707292427762
21	0371853	Strained wires 1,5mm 190 cm.	PCS	2	5707292135889
22	1102800	Fazet washer 4mm	PCS	2	5707292140265
23	1606275	Lock nut 4mm, large pack	PCS	2	5707292141347