

Flamingo

Exploded views / Part lists

Rev. date (2023.12)

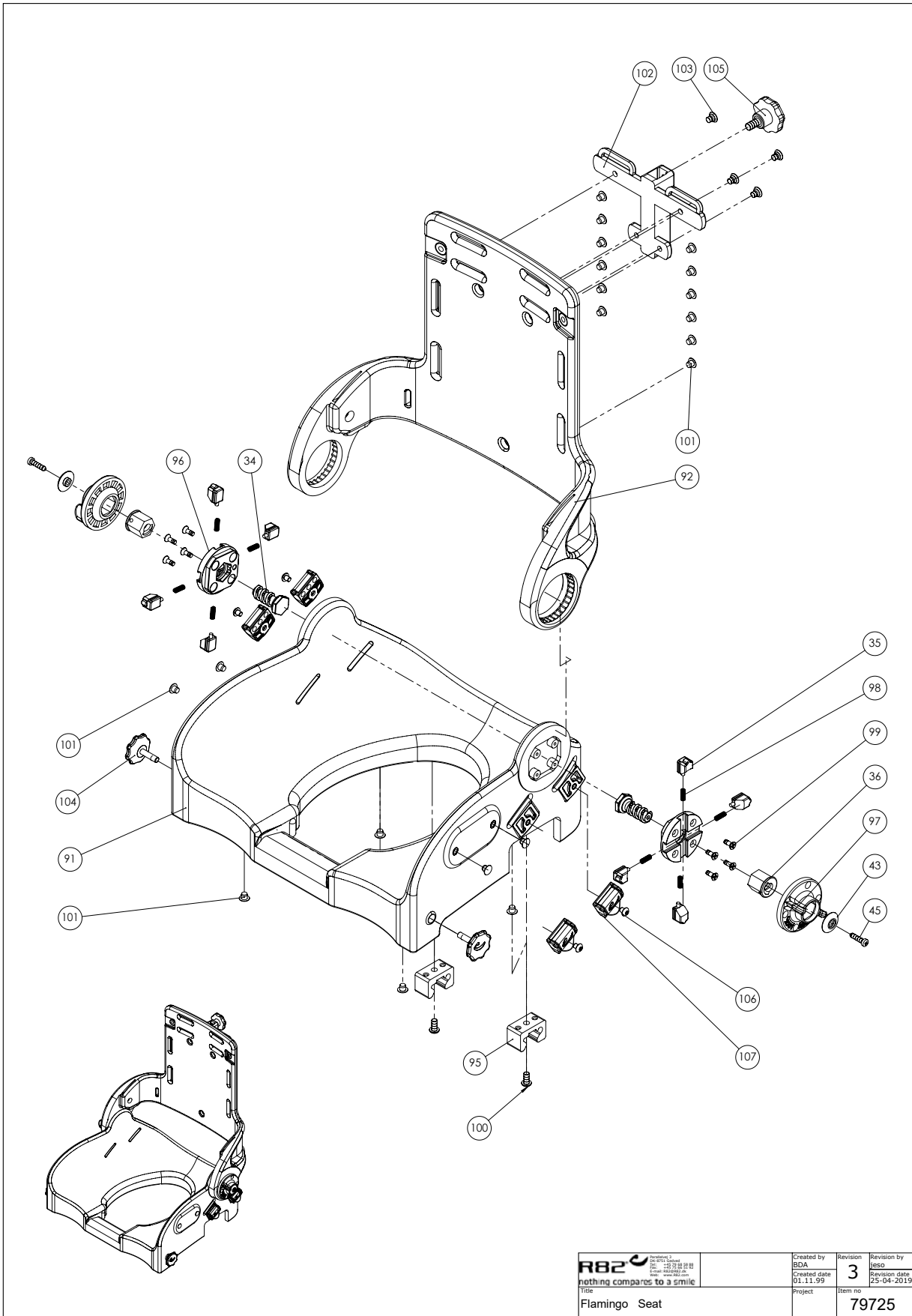
On the following pages you will find the parts used to assemble this product. Please note that some spare parts cannot be purchased individually but are part of a complete kit. Please also note that for some spare parts extra delivery time may occur.



Contents

Seat & Back (size 1 , 2, 3 & 4).....	3
Item numbers for the Seat & Back (size 1 , 2, 3 & 4).....	4
Frame.....	5
Item numbers for the Frame.....	6
Accessories.....	8
Item numbers for Accessories.....	9
Arm rest	12
Item numbers for Armrest (880152)	13
Foot support	14
Item numbers for Foot support (880199)	15
Potty frame size 1 & 2	16
Item numbers for Potty frame (880160-1 & 880160-2).....	17
Back extension for sizes 1+2 (880118).....	18
Item numbers for Back extension for sizes 1+2 (880118).....	19
Back extension for sizes 3+4 (880119)).....	20
Item numbers for Back extension for sizes 3+4 (880119).....	21

Seat & Back (size 1 , 2, 3 & 4)



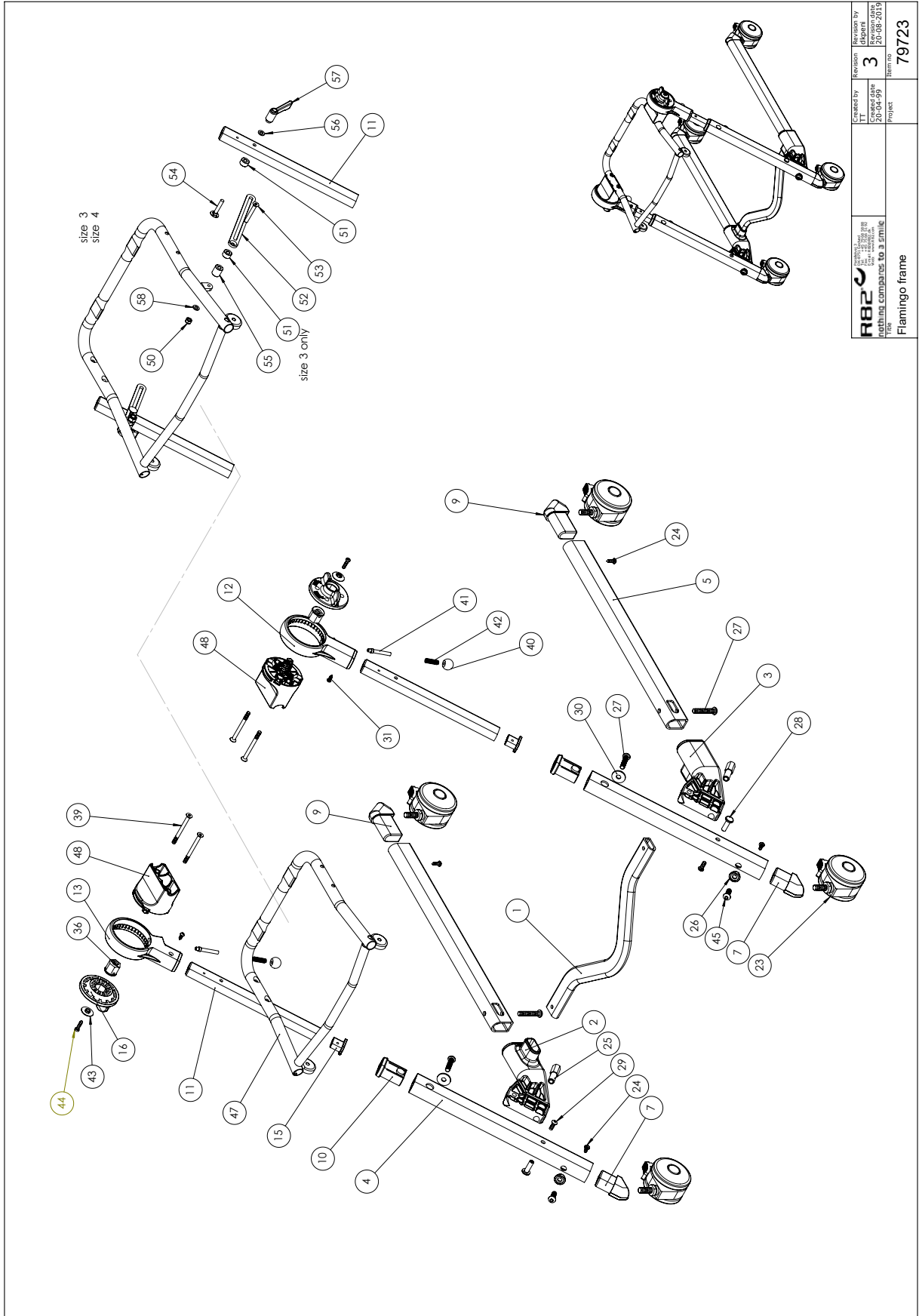
 nothing compares to a smile	Created by BDA	Revision 3	Revision by JESJO
	Created date 01.11.99	Project Flamingo Seat	Revision date 25-04-2019
		Item no 79725	

Item numbers for the Seat & Back (size 1 , 2, 3 & 4)

Position	No.	Description	Quantity	Unit of Measure	Ean code
34	71136	Thread spindle, Flamingo	PCS	1	5707292104410
35	71133	T-flange, Flamingo	PCS	4	5707292104380
36	71128	Thread nut for angle adj.	PCS	2	5707292104359
43	71164	Knob Ø23, 5 for handle	PCS	2	5707292104540
45	1811112	Sheet metal screw 4,8x19 phx	PCS	2	5707292452184
91*	71302-1	Flamingo Seat shell, size 1	PCS	1	5707292629401
	71303-1	Flamingo Seat shell, size 2	PCS	1	5707292629418
	71304-1	Flamingo Seat shell, size 3	PCS	1	5707292629425
	71305-1	Flamingo Seat shell, size 4	PCS	1	5707292629432
92*	71312	Flamingo back shell, size 1	PCS	1	5707292105028
	71313	Flamingo back shell, size 2	PCS	1	5707292105035
	71314	Flamingo back shell, size 3	PCS	1	5707292105042
	71315	Flamingo back shell, size 4	PCS	1	5707292105059
95	102429	SEATLOCK FOR FLAMINGO	PCS	2	5707292562036
96	71146	T-flange, Flamingo	PCS	1	5707292104434
97	71144	Hand wheel, Flamingo	PCS	2	5707292104427
98	0310124	Rf.spring 0.5x5.2x11mm	PCS	4	5707292135568
99	1940038	ECO-SYN UH Ø4X14	PCS	8	5707292465597
100	0659200	Button head screw 6x12 stainl.	PCS	2	5707292139436
101	1310536	Covering button,white 13x5,0mm	PCS	16	5707292397911
102	81138-90	Mounting for neck support	PCS	1	5707292227157
103	0609727	Stainless insex 6x12 uh	PCS	4	5707292138484
104	112708	Knob for Seat m6x23	PCS	2	5707292604286
105	3501050	Star grip Ø40 M8x15mm white	PCS	1	5707292146717
106	0631952	Button head M5x6, rf tuflok	PCS	4	5707292503725
107	110202	Snap Lock R82-25 With ø6	PCS	4	5707292575913

* choose size/color

Frame



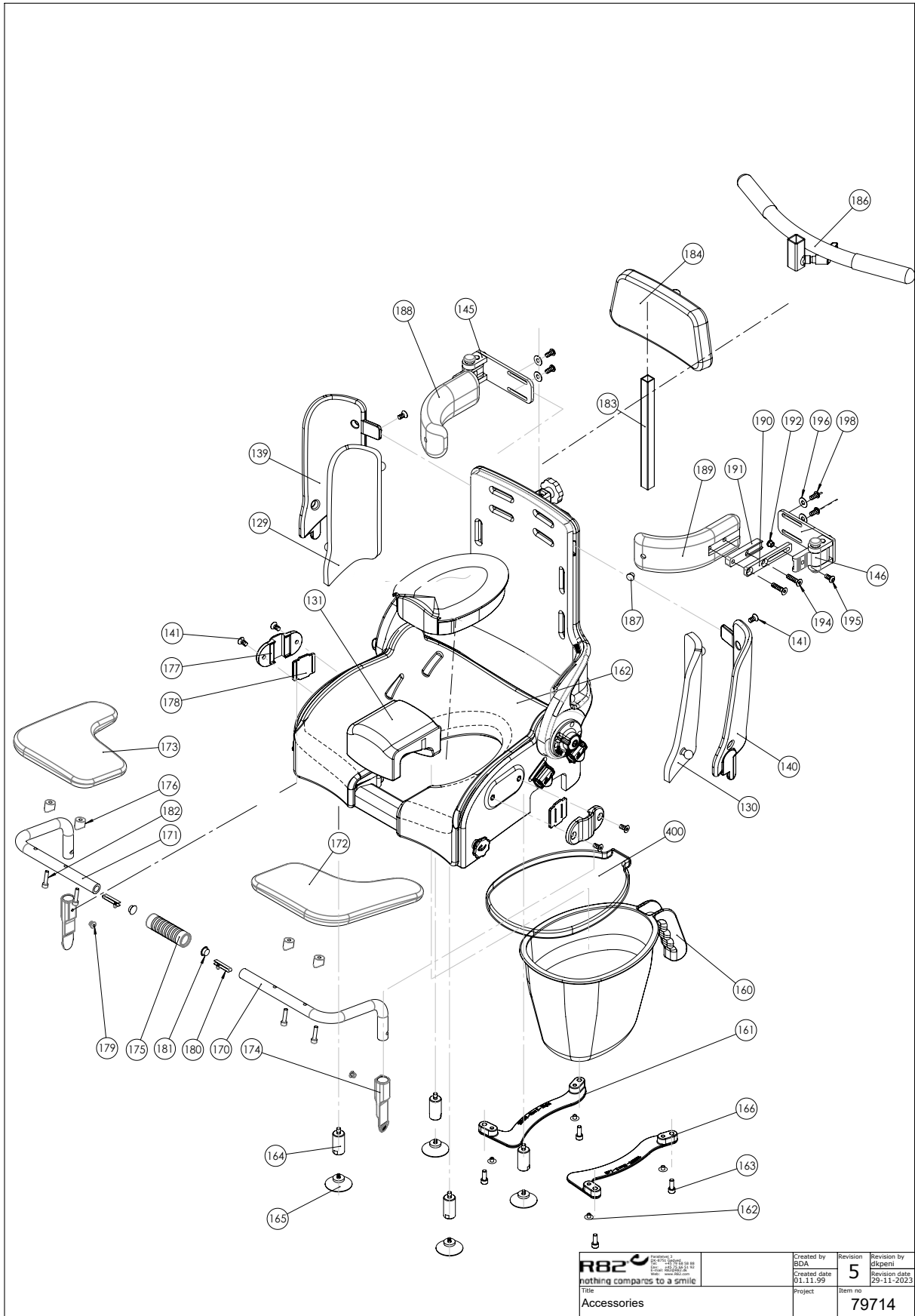
Item numbers for the Frame

Position	No.	Description		Quantity	Unit of Measure	Ean code
1*	880145	Distance part for Flamingo 1	Curved	1	PCS	5707292369000
	880146	Distance part for Flamingo 2	Curved	1	PCS	5707292369017
	880147-1	Distance part for Flamingo 3	Curved	1	PCS	5707292607720
	71352	Distance bar, Flamingo size 1		1	PCS	5707292105264
	880148	Distance part for Flamingo 4	Curved	1	PCS	5707292369031
	71353	Distance bar, Flamingo size 2		1	PCS	5707292105271
	880147	Distance part for Flamingo 3	Curved	1	PCS	5707292369024
	71354	Distance bar, Flamingo size 3		1	PCS	5707292105288
	71355	Distance bar, Flamingo size 4		1	PCS	5707292105295
	880148-1	Distance part for Flamingo 4	Curved	1	PCS	5707292607737
2	71141	Tiltmounting Flamingo	Right side	1	PCS	5707292411181
3	71142	Tiltmounting Flamingo	Left side	1	PCS	5707292411198
4	71152	Sidepiece for heightadjustment		1	PCS	5707292104489
5	71151	Side piece, horizontal		1	PCS	5707292104472
7	71103	Mounting f/ front wheel	Flamingo	1	PCS	5707292104106
9	71104	Mounting for rear wheel	Flamingo	1	PCS	5707292104113
10	71109	Steering bush for height adj.		1	PCS	5707292104168
11	71154	Bar for height adjust,sz 3+4		1	PCS	5707292104502
12	71121	Housing Left	Flamingo	1	PCS	5707292104281
13	71120	Housing Right	Flamingo	1	PCS	5707292104274
15	71108	Ferrule and slider, Flamingo		1	PCS	5707292104151
16	71129	Handwheel o75, Flamingo		1	PCS	5707292104366
23*	3006830	75mm white steinco wheel	With brake	4	PCS	5707292368560
	3006955	100mm double wheel, white		4	PCS	5707292601872
24	1811112	Sheet metal screw 4,8x19 phx		2	PCS	5707292452184
25	71162	M8 hexagon bush f.left sidepcs		1	PCS	5707292104526
26	71110	White washer plastic, Flamingo	For 8 mm screw	1	PCS	5707292104175
27	0663035	Button head screw 8x35 stainl.		2	PCS	5707292139627
28	71161	M6 bush for side piece		1	PCS	5707292104519
29	0659200	Buttonhead screw M6x12 stainl.		1	PCS	5707292139436
30	1310711	Nylon washer 15x8,4x1,5mm		1	PCS	5707292429933
31*	1811105	Screw 4.2x16uh, stainless		2	PCS	5707292141699
	1811107	Taptight, M4x12		2	PCS	5707292584229
36	71128	Thread nut for angle adj.		2	PCS	5707292104359
39	0609745	Insex 6x60, stainless steel		4	PCS	5707292138538
40	3502008	Knob handle Ø20 M6	Green ral6024	1	PCS	5707292146830
41	71163	Pin o8 for tilt mounting		1	PCS	5707292104533
42	0310100	Pressure spring 0,9x8x23x10,5v		1	PCS	5707292135513
43	71164	Knob Ø23, 5 for handle		2	PCS	5707292104540
45	0662500	Button head screw M8x25 stainl		1	PCS	5707292139580
45	1811112	Sheet metal screw 4,8x19 phx		2	PCS	5707292452184
46	3501870	White covering plug, Flamingo		2	PCS	5707292146793
47*	71362-1	Seat frame size 1, complete		1	PCS	5707292607652
	71363-1	Seat frame size 2, complete		1	PCS	5707292607669
	71365	Seat frame 4, complete		1	PCS	5707292105370
	126581	Seat frame 3 complete		1	PCS	5707292635044
	71363	Seat frame size 2, complete		1	PCS	5707292105356

*choose size/color

Position	No.	Description		Quantity	Unit of Measure	Ean code
47*	71364-1	Seatframe size 3, complete	For Flamingo	1	PCS	5707292607676
	71365-1	Seat frame 4, complete		1	PCS	5707292607683
48	71138	Angel adjust frame/chair		1	PCS	5707292543585
50	1631060	Stainless lock nut 6mm	NUT6x6-SS-LC	2	PCS	5707292141446
51	71349	Distance bush		2	PCS	5707292105240
52	71348	Support rod for tilt, Flamingo		2	PCS	5707292105233
53*	0609741	Stainless insex 6x45	M6x45-cs-ss-a-4A	2	PCS	5707292785336
	0609740	Insex 6x40, stainless		2	PCS	5707292376879
	0609741	Stainless insex 6x45	M6x45-cs-ss-a-4A	2	PCS	5707292785336
54	1905375	Bolt M6x35, stainless w/o nut		2	PCS	5707292142269
55	71350	Distance bush		2	PCS	5707292105257
56	1130600	Stainless washer M6 din9021		2	PCS	5707292140517
57	3502400	Tightening handle 42mm M6 bush		2	PCS	5707292146892
58	1105060	SS washer M6 6,4x12x1,6		2	PCS	5707292140357
*choose size/color						

Accessories



C:\EPDM\TECHN\Explosdi\Flamingo\79714

 nothing compares to a smile	Created by BDA	Revision 5	Revision by dkpment
	Created date 01.11.99	Revision date 29-11-2023	
Title Accessories	Project	Item no. 79714	

Item numbers for Accessories

Position	No.	Description	Quantity	Unit of Measure	Ean code
129*	880181-H	Upholst. F/right side,flam 1	1	PCS	5707292254467
	880181-61H	Side upholstery, sz.1, right	1	PCS	5707292615893
	880182-H	Upholst. F/right side, flam. 2	1	PCS	5707292254481
	880182-61H	Side upholstery, sz.2, right	1	PCS	5707292615916
	880183-H	Upholst. F/right side,flam. 3	1	PCS	5707292254504
	880183-61H	Side upholstery, sz.3, right	1	PCS	5707292615930
	880184-H	Upholst. F/right side,flam. 4	1	PCS	5707292254528
	880184-61H	Side upholstery, sz.4, right	1	PCS	5707292615954
130*	880181-V	Upholst.f/left side flam. Sz.1	1	PCS	5707292254474
	880181-61V	Side upholstery, sz.1, left	1	PCS	5707292615909
	880182-V	Upholst. F/left side, flam. 2	1	PCS	5707292254498
	880182-61V	Side upholstery, sz.2, left	1	PCS	5707292615923
	880183-V	Upholst. F/left side, flam. 3	1	PCS	5707292254511
	880183-61V	Side upholstery, sz.3, left	1	PCS	5707292615947
	880184-V	Upholst f/left side,flam. 4	1	PCS	5707292254535
	880184-61V	Side upholstery, sz.4, left	1	PCS	5707292615961
131*	6175318	PUR LAV SKÆRM STR.1 FLAMINGO	1	PCS	5707292189486
	6175328	Splashguard low version sz 2-4	1	PCS	5707292189547
139*	71322	Backside size 1,right-Flamingo	1	PCS	5707292105066
	71323	Backside size 2,right-Flamingo	1	PCS	5707292105073
	71324	Backside size 3,right-Flamingo	1	PCS	5707292105080
	71325	Backside size 4,right-Flamingo	1	PCS	5707292105097
140*	71332	Backside size 1, left-Flamingo	1	PCS	5707292105103
	71333	Backside size 2, left-Flamingo	1	PCS	5707292105110
	71334	Backside size 3, left,flamingo	1	PCS	5707292105127
	71335	Backside size 4, left-Flamingo	1	PCS	5707292105134
141	0609727	Stainless insex 6x12 uh	2	PCS	5707292138484
145*	5982560-R	Sidesupport 118*42,5mm, right	1	PCS	5707292396082
	5982580-R	Svingbar sidestøtte højre	1	PCS	5707292396105
146*	5982560-L	Sidesupport 118*42,5mm, left	1	PCS	5707292396020
	5982580-L	Svingbar sidestøtte venstre	1	PCS	5707292396044
160*	880128	Comode pan, Flamingo size 1+2	1	PCS	5707292134301
	880129	Comode pan, Flamingo size 3+4	1	PCS	5707292134318
161*	135470	Pottebøjle str.2, højre	1	PCS	5707292893680
	136218	Pottebøjle str.1, højre	1	PCS	5707292893659
	135544	Pottebøjle str.3, højre	1	PCS	5707292893697
162	1310536	Covering button,white 13*5,0mm	4	PCS	5707292397911
163	0602206	Insex M6*16 rustfri m/ nylon	4	PCS	5707292896629
164	71134	Distancepart for suction cup	4	PCS	5707292104397
165	2522015	Suction cup Ø80mm M6*12mm	4	PCS	5707292144461
166*	138575	Flaminco str. 2 - ABS	1	PCS	5707292893673
	136237	Pottebøjle str.1, venstre	1	PCS	5707292893666
	135538	Pottebøjle str.3, venstre	1	PCS	5707292873040
170*	71371	Supporting tube 1 left	1	PCS	5707292105394
	71373	Support rod for size 2	1	PCS	5707292105417
	71367	Supporting tube 3 left	1	PCS	5707292436771
	71369	Support rod size 4, left	1	PCS	5707292436757

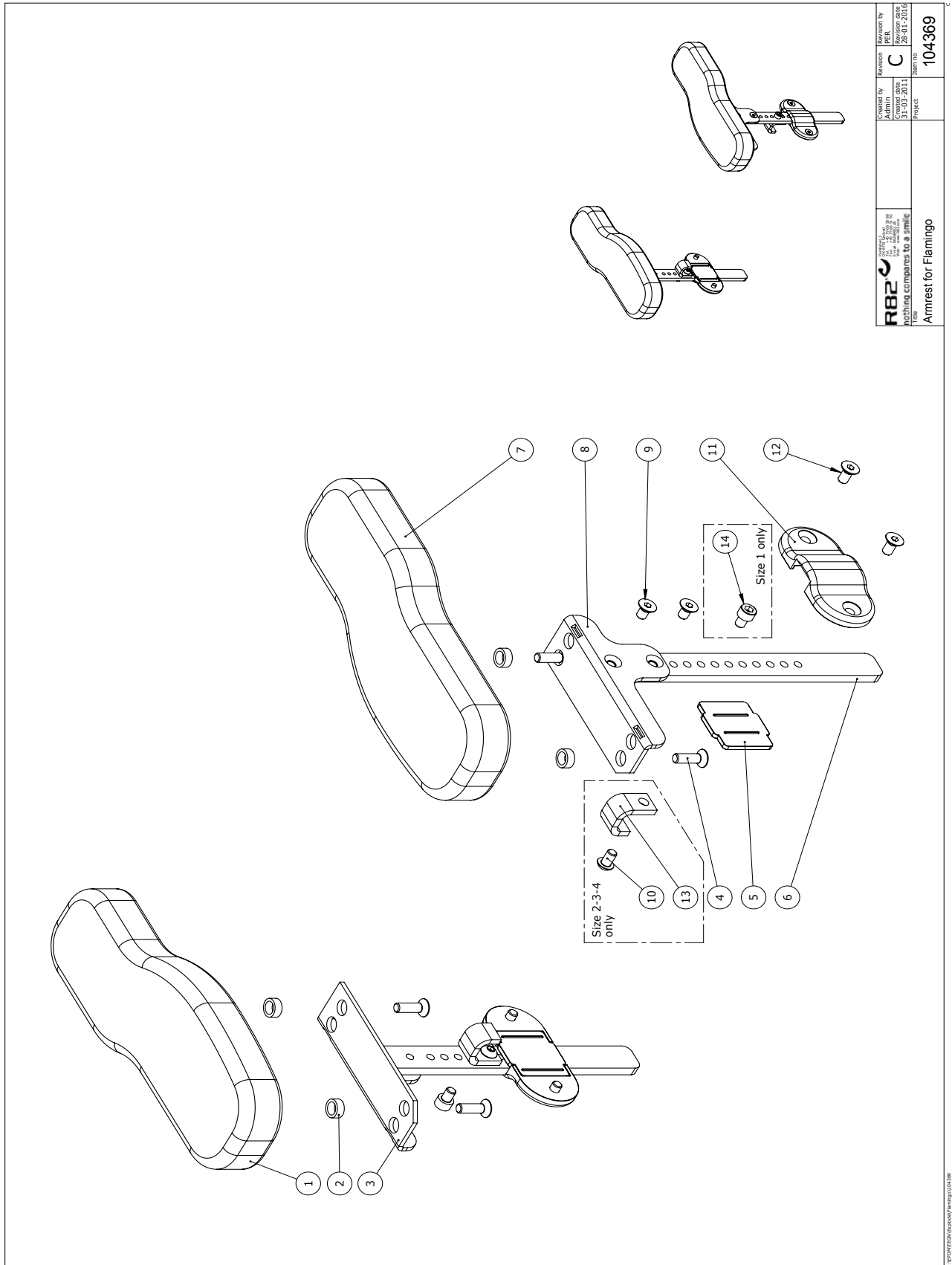
* choose size/color

Position	No.	Description	Quantity	Unit of Measure	Ean code
171*	71370	Supporting tube 1 right	1	PCS	5707292105387
	71372	Supporting tube 2 right	1	PCS	5707292105400
	71366	Supporting tube 3 right	1	PCS	5707292436764
	71368	Support rod size 4, right	1	PCS	5707292436740
172*	6175361	Armsupport tray small, left	1	PCS	5707292189707
	6075361	Arm rest table small, left PUR	1	PCS	5707292613103
	6175361	Armsupport tray small, left	1	PCS	5707292189707
	6175365	Armsupport tray large, left	1	PCS	5707292189721
	6075365	Arm rest left, big - Hell Blau	1	PCS	5707292613066
173*	6175359	Armsupport tray small,right	1	PCS	5707292189691
	6075359	Arm rest table small,right PUR	1	PCS	5707292613110
	6175363	Armsupport tray large, right	1	PCS	5707292189714
	6075363	Arm rest right, big - Hellblau	1	PCS	5707292613073
174	71130-90	Bushing, white	2	PCS	5707292223593
175	71132	Locking socket,white	1	PCS	5707292104373
176	104377	Saddle disc Ø15,5Ø5,3, h10,0	4	PCS	5707292568878
177	72134-90	Mounting for armrest, white	2	PCS	5707292223760
178	82408-90	Underlying plate armrest flam	2	PCS	5707292231482
179	0506519	Stainless blind rivet 4*12	2	PCS	5707292137388
180	6153700	Knob spring f.activity centre	2	PCS	5707292188601
181	1310552	Hedge plug k 5 natural	2	PCS	5707292581747
182	0603522	Insex ch M5*22 stainless	4	PCS	5707292490988
183	108407	Tube for back extension	1	PCS	5707292573452
184*	880118	Back extension, grey PU, sz. 1+2, See "Back extension for sizes 1+2 (880118) on pages 18-19"	N/A	N/A	5707292572936
	880119	Back extension, grey PU, sz. 3+4, See "Back extension for sizes 3+4 (880119)) on pages 20-21"	N/A	N/A	5707292572943
186	880110	Push brace for flamingo/swan	1	PCS	5707292134219
187	2502519	Tube leg, grey, Ø16mm	2	PCS	5707292394415
188+189*	6075407	Side cushion, large, curved, lightblue	2	PCS	5707292613332
	6175407	Side cushion, large, curved	2	PCS	5707292389237
	6175409	Side cushion, small, curved	2	PCS	5707292389251
	6075408	Side cushion, medium, curved, lightblue	2	PCS	5707292613349
	6175408	Side cushion, medium, curved, grey	2	PCS	5707292389244
	6075409	Side cushion, small, curved, light blue	2	PCS	5707292613356
	6175403	Side cushion moon shaped	2	PCS	5707292381132
	6175402	Side cushion, square	2	PCS	5707292381125
190*	6175401	Side cushion, long, straight	2	PCS	5707292381118
	82569	Bar,straight,stainless, 9,5cm	2	PCS	5707292124869
	82648	Bar, straight,stainless,16cm	2	PCS	5707292389275
191	81968	Bar, curved, 25 mm, l:12 cm	2	PCS	5707292120366
191	82570	Plastic spacer for Flamingo	2	PCS	5707292124876
192	82558	Nut 6x16	2	PCS	5707292124753
194*	0609730	Stainless insex 6*20 uh.	4	PCS	5707292138507
	0609727	Stainless insex 6x12 uh	4	PCS	5707292138484
195	0659200	Buttonhead screw M6*12 stainl.	2	PCS	5707292139436
196+198	5001009	Screws etc. For side supports	1	PCS	5707292154330

* choose size/color

Position	No.	Description	Quantity	Unit of Measure	Ean code
400*	137341	Lay for pot 1	1	PCS	5707292837240
	137345	Lay for pot 2	1	PCS	5707292837226
* choose size/color					

Arm rest

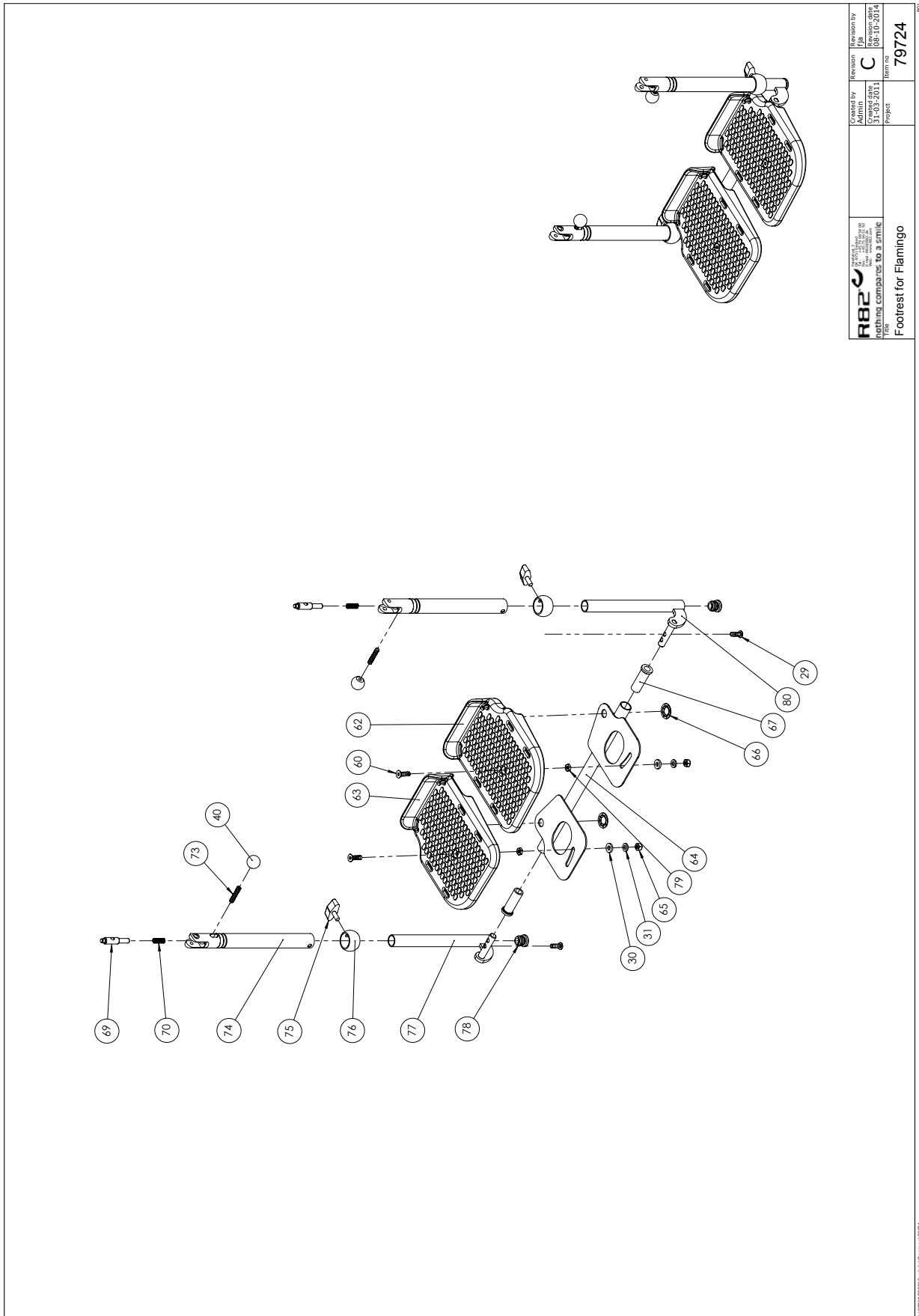


 R82 A/S Parallelvej 3 8751 Gedved Denmark Tel: +45 79 68 58 88 Fax: +45 75 66 51 92 E-mail: R82@etac.com Web: etac.com	Created by Admin	Revision C	Revision by PER
	Date 31-03-2011	Item no 104369	Project Armrest for Flamingo

Item numbers for Armrest (880152)

Position	Art. No.	Description	Unit of Measure	Quantity	Ean code
1	6175150	Armrest cushion, size 1, right	PCS	1	5707292189226
2	1310539	Distance piece 12/8,4x5mm	PCS	4	5707292423474
3	104360	Armrest bracket, right	PCS	1	5707292570703
4	0609730	Stainless insex 6x20 uh.	PCS	4	5707292138507
6	117054	Amrest bar	PCS	2	5707292611383
7	6175152	Armrest cushion, size 1, left	PCS	1	5707292189233
8	104359	Armrest bracket, left	PCS	1	5707292570697
9	0609760	Rustfri insex 6x10 uh. tuflok	PCS	4	5707292570796
10	0659005	Insex button head M6x10, stainl	PCS	2	5707292423740
13	117055	Brace	PCS	2	5707292611390
14	0602479	Insex M6x8, stainless	PCS	2	5707292465412
5+11+12	5001013	Plastic bag enclosing small	SET	1	5707292154378
*choose size/color					

Foot support



 R82 A/S Parallelvej 3 8751 Gedved Denmark Tel: +45 79 68 58 88 Fax: +45 75 66 51 92 E-mail: R82@etac.com Web: etac.com	Created by Admin	Revision C	Revision by JH
	Drawn date 03/12/11	Release date 03/12/11	Form no. 79724
Project Footrest for Flamingo			

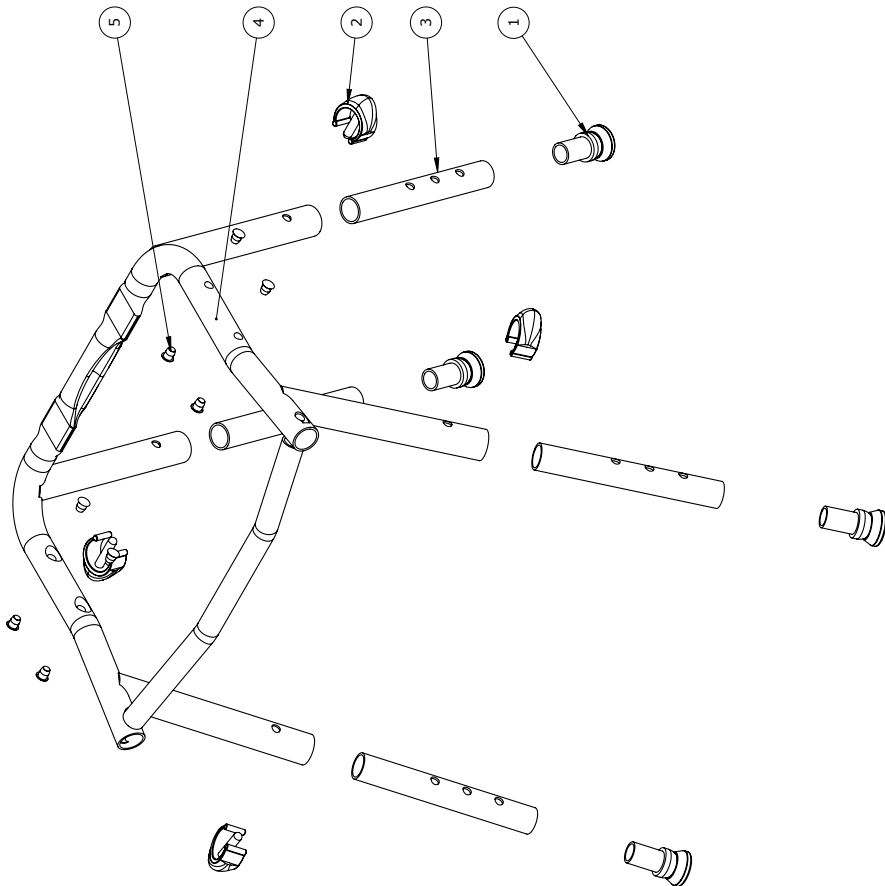
© 2011 R82 A/S. All rights reserved. Flamingo 79724

Item numbers for Foot support (880199)

Position	Art. No.	Description	Unit of Measure	Quantity	Ean code
29	0659500	Button head screw M6x16	PCS	2	5707292139450
30	1310711	Nylon washer 15x8,4x1,5mm	PCS	2	5707292429933
31	1130600	Stainless washer M6 din9021	PCS	2	5707292140517
40	3502008	Knob handle Ø20 M6	PCS	2	5707292146830
60	0609732	Insex 6*22, stainless	PCS	2	5707292409669
62	71209	Footplate left, flam. Sz 3-4	PCS	1	5707292104649
62	71207	Footplate left, flam. Sz 1-2	PCS	1	5707292104625
63	71210	Footplate right, flam. Sz 3-4	PCS	1	5707292104656
63	71208	Footplate right, flam. Sz 1-2	PCS	1	5707292104632
64	71284	Footplate inlay flam. Size 3	PCS	1	5707292104830
64	71282	Footplate inlay flam. Size 1	PCS	1	5707292104816
65	1631060	Stainless lock nut 6mm	PCS	2	5707292141446
66	1109000	Starlock washer M12, u/kap.rf.	PCS	2	5707292140432
67	71119	Fictionbush for Flamingo	PCS	2	5707292104267
69	71123	Lock ratchet	PCS	2	5707292104304
70	0310147	Stainless spring 1*9,3*20mm*7,5	PCS	2	5707292135636
73	0806030	Stainless stop screw 6*30mm	PCS	2	5707292140029
74	71243	Telescopic pipe sz. 2-4	PCS	2	5707292104694
74	71242	Telescopic pipe sz. 1	PCS	2	5707292104687
75	3503210	Finger screw, white M6x6	PCS	2	5707292147004
76	71118	Bushing Ø22-18 flam.	PCS	2	5707292104250
77	71274	Telescope ext. Left, sz 3+4	PCS	1	5707292104779
77	71272	Telescope extension left, sz 1	PCS	1	5707292104755
78	2502005	Ferrule d18*1,0-2,0 int.white	PCS	2	5707292144010
79	1750600	Lock nut, stainless M6	PCS	2	5707292141477
80	71279	Telescope ext. right, sz 3+4	PCS	1	5707292104809
80	71277	Telescope extension right sz 1	PCS	1	5707292104786

Potty frame size 1 & 2

Pos no.	Qty.	Item no.	Description.
1	4	6108201	leg cap adjustable
2	4	73819	Safety pin
3	4	136835	Inner pipe for legs
4	1	136857	Seat Frame 1 Complete
5	8	2501580	Cap-Massiv



 nothing compares to a smile Title	Created by JACO 08-01-2018	Revision 1 09-03-2018	Revision by JACO 09-03-2018
	Project Potty chair with legs size 1	Item no. 136873	

C:\Users\T554\711\petyr Chair with legs (01-01-2018-1050)\R82\Chair with legs - Size 136873

Item numbers for Potty frame (880160-1 & 880160-2)

Position	No.	Description	Quantity	Unit of Measure	Ean code
1	6108201	Plastic cap Ø19mm	4	PCS	5707292836618
2	73819	Safety pin	4	PCS	5707292441447
3	136835	Inner pipe for legs	4	PCS	5707292834799
4	136831	Seat Frame size 2	1	PCS	5707292839039
4	136857	Seat Frame size 1	1	PCS	5707292839022
5	2501580	Blind cap - black	8	PCS	5707292605450

Back extension for sizes 1+2 (880118)

Pos no.	Qty.	Item no.	Description.
1	1	104293	Back extension, size 1-2
2	1	104296	Mounting adaptor
3	2	0609727	M6*12-CS-SS-A-A2
4	1	3502700	Spændegreb M8-45x15 hvid

Tolerance	Project	R82	
Surface	Flamingo	Created by	Revision by
		Admin	dkjeso
		Created date	Revision date
		31-03-2011	11-05-2023
Material		Scale	Weight
		1:2	390g
Title		Format	Item no
Backextender komplet, size 1-2		A4	104327

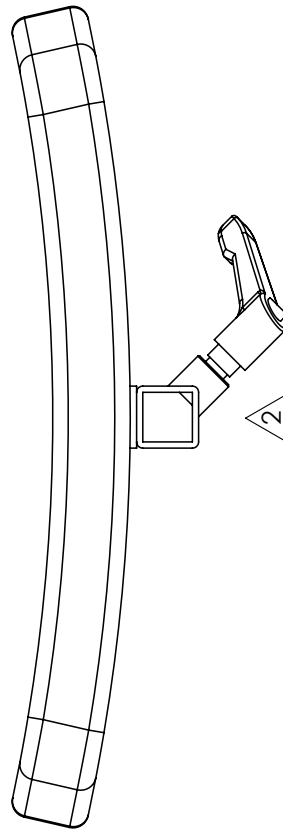
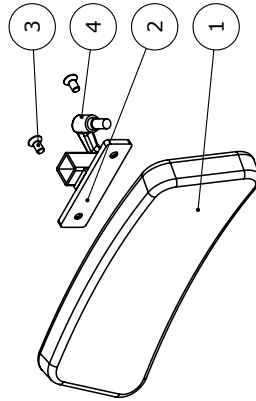
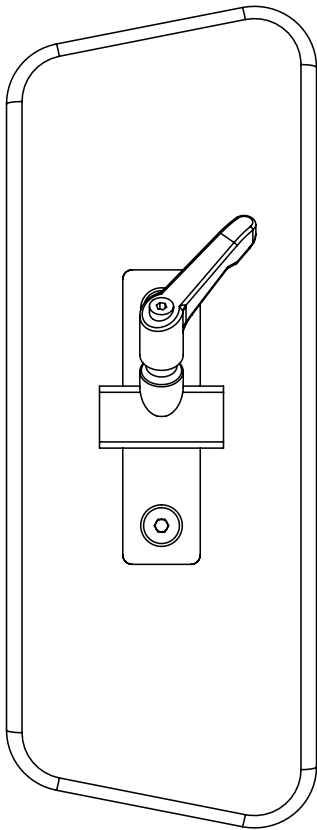
C:\EPDM\file\p0660\104327

Item numbers for Back extension for sizes 1+2 (880118)

Position	No.	Description	Quantity	Unit of Measure	Ean code
1	104298	Back extention Size 1-2	1	STK	5707292613363
2	104296	Mounting adaptor	1	STK	5707292573049
3	0609727	Rustfri insex 6*12 uh.	2	STK	5707292138484
4	3502700	Spændgreb 40/M8*15 hvid rustf.	1	STK	5707292146946

Back extension for sizes 3+4 (880119))

Pos no.	Qty.	Item no.	Description.
1	1	104294	Back extension, size 3-4
2	1	104296	Mounting adaptor
3	2	0609727	M6*12-CS-SS-A-A2
4	1	3502700	Spændegreb M8-45x15 hvid



Tolerance	Project	Flamingo		R82	
Surface	Created by	Admin	Revision	by Etac	Revision by
Material	Created date	31-03-2011	2	dkjeso	Revision date
	Scale	1:2			11-05-2023
	Weight				
					464g
Title	Format	A4	Item no	104328	
Backextender komplet, size 3-4					

C:\EPDM\kic\104328

Item numbers for Back extension for sizes 3+4 (880119)

Position	No.	Description	Quantity	Unit of Measure	Ean code
1	104294	Back extention Size 3-4	1	STK	5707292568960
2	104296	Mounting adaptor	1	STK	5707292573049
3	0609727	Rustfri insex 6*12 uh.	2	STK	5707292138484
4	3502700	Spændgreb 40/M8*15 hvid rustf.	1	STK	5707292146946